



# AWNING WINDOWS

Technical Guide C

# FEATURES & SPECIFICATIONS

## Styles

Traditional, Push Out and Mission® options.

## Standard Features

Natural, clear Douglas Fir interior (no visible finger joints)

4 9/16" (116 mm) jamb construction

LowE insulated glazing with 1/2" (13 mm) airspace

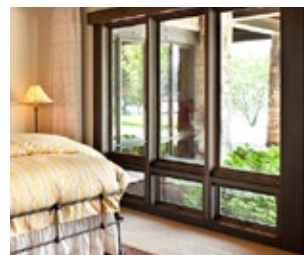
Rotogear operator and concealed sash locks

Extruded aluminum cladding in a variety of standard colors, primed wood or clear fir exterior

Flexible continuous weatherstrip system

Insect screens

Metal handle, cover and locks



Awning



Push-Out Awning

## Hardware

Operator and sash locks are available in a variety of types and finishes, see section A. Standard awning operator detaches at the sash allowing it to open out to 90 degrees for ease of cleaning. The roto gear operator will hold the sash at any position in its operating radius. The sash is supported by concealed heavy-duty hinges. All awning units are supplied with dual sash locks for added security and tighter seal. All steel components are coated for superior corrosion protection.

## Glazing

LowE Double, LowE Triple, Tranquility® and StormForce™. StormForce is not available on all products. Double or triple glass configurations with 1/2" (13 mm) airspace. With countless glazing configurations and LowE coating options, we ensure that you can choose the perfect blend of protection and comfort. LowE best describes the benefits of the product that incorporates glazing coatings and Argon gas. LowE systems help reduce heating and cooling costs, providing superior energy efficiency.

## Simulated Divided Lites (SDL)

Standard SDL complete with airspace grilles, where available. Grille bars are permanently applied to the interior and exterior.

Ogee Profile – 3/4" (19 mm), 1 1/8" (30 mm), 2" (51 mm)

Putty Profile – 5/8" (16 mm), 7/8" (22 mm), 1 1/8" (30 mm), 2" (51 mm)

Square Profile (interior only) – 5/8" (16mm), 3/4" (19 mm), 7/8" (22 mm), 1 1/8" (30 mm), 2" (51 mm)

# FEATURES & SPECIFICATIONS

## Casing

Wood: 2" (51 mm) Brickmould, 3 1/2" (89 mm) Flat, 5 1/2" (139 mm) Flat, Adams and Williamsburg.

Metal Clad: 2" (51 mm) Brickmould, 3 1/2" (89 mm) Flat, 2" clad frame extension, Nose & Cove, Adams, Williamsburg and Kerf.

## Metal Cladding

Heavy duty exterior metal cladding comprised of extruded aluminum is available in a variety of Palette colors, including anodized and Cyprium (copper and bronze cladding). Metal clad units are supplied ready-to-install complete with integral metal nailing flange.

## Wood

In addition to our standard Coastal Douglas Fir, the entire Loewen product line is also available in optional Mahogany. The interior can be natural wood (unfinished), primed, or prefinished in Jet Black or Oxford White paint. Additional wood species, as well as the Jet Black and Oxford White prefinishes, are available through our Custom Shop. All wood parts are dipped in approved preservative.

## Performance Standards

Most units have been tested by an independent laboratory for air and water infiltration, structural performance, and thermal performance requirements.

## Frame & Sash

Manufactured from Coastal Douglas Fir kiln-dried lumber with frame construction designed for 4 9/16" (116 mm) jamb. All wood exterior components are factory primed unless specified as clear exterior. Minor scratches or abrasions in the wood surface or primer are not considered defects.

## Double Weatherstrip

The combination of a continuous, flexible foam weatherstrip and a flexible automotive type bulb weatherstrip ensures maximum energy efficiency and protection against air and water infiltration.

## Screen

Screens available in Alpine White, White, Linen, Tuscany Brown, Midnight Bronze, Steel Matte Black, Bronze, or Brushed Aluminum frame, screened with anti-glare fiberglass cloth. Wood-framed screens and High Transparency mesh available. Optional Retractable Screen and Swinging Screen available. Swinging Screen available on Push Out models only.

## Egress

Consult local building codes for confirmation of size requirements for your area. Special egress hardware is available for Casement windows, which enables some sizes to meet egress codes, eliminating the need to go to the next larger size window. Consult your Authorized Loewen Dealer for more details.

| Hardware Styles      | Awning | Push Out Awning |
|----------------------|--------|-----------------|
| Folding Crank Handle | ●      |                 |
| Push Out Handle      |        | ●               |
| Multipoint Lock      | ●      | ○               |
| Electric Operator    | ○      |                 |

**Standard** ● **Optional** ○ Finish Options: Refer to Section A.

| Variables             | Awning | Push Out Awning |
|-----------------------|--------|-----------------|
| <b>Function</b>       |        |                 |
| Use for Egress        |        | ●               |
| Available with Screen | ●      | ●               |
| Concealed Hardware    | ●      |                 |
| <b>Performance</b>    |        |                 |
| LowE Double           | ●      | ●               |
| LowE Triple           | ○      | ○               |
| StormForce™           | ○      | ○               |
| <b>Appearance</b>     |        |                 |
| SDL                   | ○      | ○               |

Visit the Loewen Photo Gallery online at [www.loewen.com](http://www.loewen.com) for a large collection of Loewen product and elevation photography.

Numerous custom window configuration opportunities exist – please contact your Authorized Loewen Dealer.

Specifications and technical information are subject to change without notice. Imperial and metric measurements are converted accurately. However, in some cases, industry standards cause a 1 mm variance. (Example: 3/4" is shown as 19 mm for all glass measurements.) Cad Download: [www.loewen.com/architect](http://www.loewen.com/architect) | Installation Instructions: [www.loewen.com](http://www.loewen.com)

### Awning 1 Wide Window Sizes

| Rough Opening   |                 | Width          |                 |                |               |               |              |              |               |                 |               |               |               |                |                 |                 |
|-----------------|-----------------|----------------|-----------------|----------------|---------------|---------------|--------------|--------------|---------------|-----------------|---------------|---------------|---------------|----------------|-----------------|-----------------|
|                 |                 | Frame          |                 | Visible Glass  |               |               |              |              |               |                 |               |               |               |                |                 |                 |
|                 |                 | Wood Exterior  | Metal Clad      | 13 11/16 [347] | 17 5/8 [447]  | 21 9/16 [547] | 23 1/2 [597] | 25 1/2 [647] | 29 7/16 [747] | 33 3/8 [847]    | 35 1/4 [895]  | 41 1/4 [1047] | 49 1/8 [1247] | 53 1/16 [1347] | 56 15/16 [1447] | 64 13/16 [1647] |
| 20 7/16 [519]   | 24 3/8 [619]    | 28 5/16 [719]  | 30 1/4 [769]    | 32 1/4 [819]   | 36 3/16 [919] | 40 1/8 [1019] | 42 [1067]    | 48 [1219]    | 55 7/8 [1419] | 59 13/16 [1519] | 63 3/4 [1619] | 71 5/8 [1819] |               |                |                 |                 |
| 17 3/16 [436]   | 16 1/2 [419]    | 15 3/4 [400]   | 9 1/2 [242]     | AW1 0504       | AW1 0604      | AW1 0704      | AW1 7504     | AW1 0804     | AW1 0904      | AW1 1004        | AW1 1104      | AW1 1204      | AW1 1404      | AW1 1504       | AW1 1604        | AW1 1804        |
| 21 1/8 [536]    | 20 7/16 [519]   | 19 11/16 [500] | 13 7/16 [342]   | AW1 0505       | AW1 0605      | AW1 0705      | AW1 7505     | AW1 0805     | AW1 0905      | AW1 1005        | AW1 1105      | AW1 1205      | AW1 1405      | AW1 1505       | AW1 1605        | AW1 1805        |
| 25 1/16 [636]   | 24 3/8 [619]    | 23 5/8 [600]   | 17 3/8 [442]    | AW1 0506       | AW1 0606      | AW1 0706      | AW1 7506     | AW1 0806     | AW1 0906      | AW1 1006        | AW1 1106      | AW1 1206      | AW1 1406      | AW1 1506       | AW1 1606        | AW1 1806        |
| 29 [736]        | 28 5/16 [719]   | 27 9/16 [700]  | 21 5/16 [542]   | AW1 0507       | AW1 0607      | AW1 0707      | AW1 7507     | AW1 0807     | AW1 0907      | AW1 1007        | AW1 1107      | AW1 1207      | AW1 1407      | AW1 1507       | AW1 1607        | AW1* 1807       |
| 30 15/16 [786]  | 30 1/4 [769]    | 29 1/2 [750]   | 23 5/16 [592]   | AW1 0575       | AW1 0675      | AW1 0775      | AW1 7575     | AW1 0875     | AW1 0975      | AW1 1075        | AW1 1175      | AW1 1275      | AW1 1475      | AW1 1575       | AW1 1675        | AW1* 1875       |
| 32 15/16 [836]  | 32 1/4 [819]    | 31 1/2 [800]   | 25 1/4 [642]    | AW1 0508       | AW1 0608      | AW1 0708      | AW1 7508     | AW1 0808     | AW1 0908      | AW1 1008        | AW1 1108      | AW1 1208      | AW1 1408      | AW1 1508       | AW1 1608        | AW1* 1808       |
| 36 7/8 [936]    | 36 3/16 [919]   | 35 7/16 [900]  | 29 3/16 [742]   | AW1 0509       | AW1 0609      | AW1 0709      | AW1 7509     | AW1 0809     | AW1 0909      | AW1 1009        | AW1 1109      | AW1 1209      | AW1 1409      | AW1 1509       | AW1 1609        | AW1* 1809       |
| 40 13/16 [1036] | 40 1/8 [1019]   | 39 3/8 [1000]  | 33 1/8 [842]    | AW1 0510       | AW1 0610      | AW1 0710      | AW1 7510     | AW1 0810     | AW1 0910      | AW1 1010        | AW1 1110      | AW1 1210      | AW1 1410      | AW1 1510       | AW1 1610        | AW1 1810        |
| 42 11/16 [1084] | 42 [1067]       | 41 1/4 [1048]  | 35 1/16 [890]   | AW1 0511       | AW1 0611      | AW1 0711      | AW1 7511     | AW1 0811     | AW1 0911      | AW1 1011        | AW1 1111      | AW1 1211      | AW1 1411      | AW1 1511       | AW1 1611        | AW1 1811        |
| 48 11/16 [1236] | 48 [1219]       | 47 1/4 [1200]  | 41 [1042]       | AW1 0512       | AW1 0612      | AW1 0712      | AW1 7512     | AW1 0812     | AW1 0912      | AW1 1012        | AW1 1112      | AW1 1212      | AW1 1412      | AW1 1512       | AW1 1612        | AW1* 1812       |
| 56 9/16 [1436]  | 55 7/8 [1419]   | 55 1/8 [1400]  | 48 7/8 [1242]   | AW1* 0514      | AW1* 0614     | AW1* 0714     | AW1* 7514    | AW1* 0814    | AW1* 0914     | AW1* 1014       | AW1* 1114     | AW1* 1214     | AW1* 1414     | AW1* 1514      | AW1* 1614       | AW1* 1814       |
| 60 1/2 [1536]   | 59 13/16 [1519] | 59 1/16 [1500] | 52 13/16 [1342] | AW1* 0515      | AW1* 0615     | AW1* 0715     | AW1* 7515    | AW1* 0815    | AW1* 0915     | AW1* 1015       | AW1* 1115     | AW1* 1215     | AW1* 1415     | AW1* 1515      | AW1* 1615       |                 |
| 64 7/16 [1636]  | 63 3/4 [1619]   | 63 [1600]      | 56 3/4 [1442]   | AW1* 0516      | AW1* 0616     | AW1* 0716     | AW1* 7516    | AW1* 0816    | AW1* 0916     | AW1* 1016       | AW1* 1116     | AW1* 1216     | AW1* 1416     | AW1* 1516      | AW1* 1616       |                 |
| 75 5/16 [1836]  | 71 5/8 [1819]   | 70 7/8 [1800]  | 64 5/8 [1642]   | AW1* 0518      | AW1* 0618     | AW1* 0718     | AW1* 7518    | AW1* 0818    | AW1* 0918     | AW1* 1018       | AW1* 1118     | AW1* 1218     | AW1* 1418     | AW1* 1518      |                 |                 |

Product Code

Glass Size = Visible Glass + 15/16" (24 mm)  
\* Only available with rotogear hardware

Standard sizes Shown. Additional sizes may be available. Custom sizes can be ordered.

- Note:**
- Available with Mission sash. For a unit with a Mission sash, subtract 13/16" (21 mm) from the vertical visible glass measurement.
  - SDL/Grille patterns are dependent on SDL/Grille type and window size. Please verify SDL/Grille patterns before confirming your order.
  - Available with Push Out hardware.
  - For Masonry opening information see page A24-A29.
  - Sizes are shown as double glazing, not all sizes may be available in triple glazing.
  - Egress calculations are based on the unit being opened at 70° for washability hinge, 80° for egress hinge, and having minimum clear openings of:
    - Meets US Egress: 20" in width, 24" in height, with a total egress area of 5.7 Sq Ft (Push Out Only)
    - Meets Canadian Egress: 15" in width, 15" in height, with a total egress area of 3.8 Sq Ft
  - Please check your local building codes for any variation in Egress Standards from those stated above. For egress information, contact your Authorized Loewen Dealer.

### Awning 2 Wide Window Sizes

| Rough Opening   |                 | Width          |                 |                |               |               |               |               |               |                |                |                |               |                |                 |                 |  |  |  |  |
|-----------------|-----------------|----------------|-----------------|----------------|---------------|---------------|---------------|---------------|---------------|----------------|----------------|----------------|---------------|----------------|-----------------|-----------------|--|--|--|--|
|                 |                 | Frame          |                 | Visible Glass  |               |               |               |               |               |                |                |                |               |                |                 |                 |  |  |  |  |
|                 |                 | Wood Exterior  | Metal Clad      | 13 11/16 [347] | 17 5/8 [447]  | 21 9/16 [547] | 23 1/2 [597]  | 25 1/2 [647]  | 29 7/16 [747] | 33 3/8 [847]   | 35 1/4 [895]   | 41 1/4 [1047]  | 49 1/8 [1247] | 53 1/16 [1347] | 56 15/16 [1447] | 64 13/16 [1647] |  |  |  |  |
| 40 1/8 [1019]   | 48 [1219]       | 55 7/8 [1419]  | 59 13/16 [1519] | 63 3/4 [1619]  | 71 5/8 [1819] | 79 1/2 [2019] | 83 1/4 [2134] | 95 1/4 [2419] | 111 [2819]    | 118 7/8 [3019] | 126 3/4 [3219] | 142 1/2 [3619] |               |                |                 |                 |  |  |  |  |
| 17 3/16 [436]   | 16 1/2 [419]    | 15 3/4 [400]   | 9 1/2 [242]     | AW2 1004       | AW2 1204      | AW2 1404      | AW2 1504      | AW2 1604      | AW2 1804      | AW2 2004       | AW2 2204       | AW2 2404       | AW2 2804      | AW2 3004       | AW2 3204        | AW2 3604        |  |  |  |  |
| 21 1/8 [536]    | 20 7/16 [519]   | 19 11/16 [500] | 13 7/16 [342]   | AW2 1005       | AW2 1205      | AW2 1405      | AW2 1505      | AW2 1605      | AW2 1805      | AW2 2005       | AW2 2205       | AW2 2405       | AW2 2805      | AW2 3005       | AW2 3205        | AW2 3605        |  |  |  |  |
| 25 1/16 [636]   | 24 3/8 [619]    | 23 5/8 [600]   | 17 3/8 [442]    | AW2 1006       | AW2 1206      | AW2 1406      | AW2 1506      | AW2 1606      | AW2 1806      | AW2 2006       | AW2 2206       | AW2 2406       | AW2 2806      | AW2 3006       | AW2 3206        | AW2 3606        |  |  |  |  |
| 29 [736]        | 28 5/16 [719]   | 27 9/16 [700]  | 21 5/16 [542]   | AW2 1007       | AW2 1207      | AW2 1407      | AW2 1507      | AW2 1607      | AW2 1807      | AW2 2007       | AW2 2207       | AW2 2407       | AW2 2807      | AW2 3007       | AW2 3207        | AW2* 3607       |  |  |  |  |
| 30 15/16 [786]  | 30 1/4 [769]    | 29 1/2 [750]   | 23 5/16 [592]   | AW2 1075       | AW2 1275      | AW2 1475      | AW2 1575      | AW2 1675      | AW2 1875      | AW2 2075       | AW2 2275       | AW2 2475       | AW2 2875      | AW2 3075       | AW2 3275        | AW2* 3675       |  |  |  |  |
| 32 15/16 [836]  | 32 1/4 [819]    | 31 1/2 [800]   | 25 1/4 [642]    | AW2 1008       | AW2 1208      | AW2 1408      | AW2 1508      | AW2 1608      | AW2 1808      | AW2 2008       | AW2 2208       | AW2 2408       | AW2 2808      | AW2 3008       | AW2 3208        | AW2* 3608       |  |  |  |  |
| 36 7/8 [936]    | 36 3/16 [919]   | 35 7/16 [900]  | 29 3/16 [742]   | AW2 1009       | AW2 1209      | AW2 1409      | AW2 1509      | AW2 1609      | AW2 1809      | AW2 2009       | AW2 2209       | AW2 2409       | AW2 2809      | AW2 3009       | AW2 3209        | AW2* 3609       |  |  |  |  |
| 40 13/16 [1036] | 40 1/8 [1019]   | 39 3/8 [1000]  | 33 1/8 [842]    | AW2 1010       | AW2 1210      | AW2 1410      | AW2 1510      | AW2 1610      | AW2 1810      | AW2 2010       | AW2 2210       | AW2 2410       | AW2 2810      | AW2 3010       | AW2 3210        | AW2* 3610       |  |  |  |  |
| 42 11/16 [1084] | 42 [1067]       | 41 1/4 [1048]  | 35 1/16 [890]   | AW2 1011       | AW2 1211      | AW2 1411      | AW2 1511      | AW2 1611      | AW2 1811      | AW2 2011       | AW2 2211       | AW2 2411       | AW2 2811      | AW2 3011       | AW2 3211        | AW2 3611        |  |  |  |  |
| 48 11/16 [1236] | 48 [1219]       | 47 1/4 [1200]  | 41 [1042]       | AW2 1012       | AW2 1212      | AW2 1412      | AW2 1512      | AW2 1612      | AW2 1812      | AW2 2012       | AW2 2212       | AW2 2412       | AW2 2812      | AW2 3012       | AW2 3212        | AW2* 3612       |  |  |  |  |
| 56 9/16 [1436]  | 55 7/8 [1419]   | 55 1/8 [1400]  | 48 7/8 [1242]   | AW2* 1014      | AW2* 1214     | AW2* 1414     | AW2* 1514     | AW2* 1614     | AW2* 1814     | AW2* 2014      | AW2* 2214      | AW2* 2414      | AW2* 2814     | AW2* 3014      | AW2* 3214       | AW2* 3614       |  |  |  |  |
| 60 1/2 [1536]   | 59 13/16 [1519] | 59 1/16 [1500] | 52 13/16 [1342] | AW2* 1015      | AW2* 1215     | AW2* 1415     | AW2* 1515     | AW2* 1615     | AW2* 1815     | AW2* 2015      | AW2* 2215      | AW2* 2415      | AW2* 2815     | AW2* 3015      | AW2* 3215       |                 |  |  |  |  |
| 64 7/16 [1636]  | 63 3/4 [1619]   | 63 [1600]      | 56 3/4 [1442]   | AW2* 1016      | AW2* 1216     | AW2* 1416     | AW2* 1516     | AW2* 1616     | AW2* 1816     | AW2* 2016      | AW2* 2216      | AW2* 2416      | AW2* 2816     | AW2* 3016      | AW2* 3216       |                 |  |  |  |  |
| 72 5/16 [1836]  | 71 5/8 [1819]   | 70 7/8 [1800]  | 64 5/8 [1642]   | AW2* 1018      | AW2* 1218     | AW2* 1418     | AW2* 1518     | AW2* 1618     | AW2* 1818     | AW2* 2018      | AW1* 2218      | AW1* 2418      | AW1* 2818     | AW1* 3018      |                 |                 |  |  |  |  |

Product Code

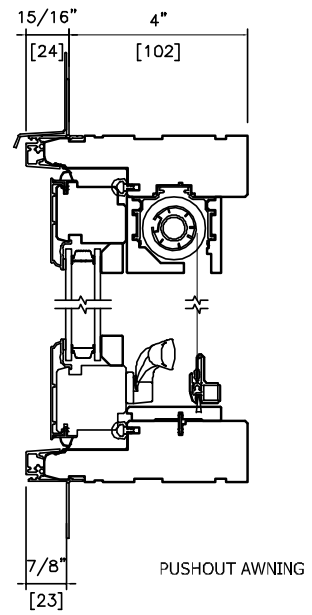
Glass Size = Visible Glass + 15/16" (24 mm)  
\* Only available with rotogear hardware

Standard sizes Shown. Additional sizes may be available. Custom sizes can be ordered.

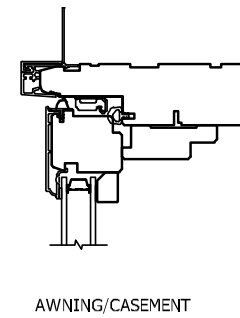
- Note:**
- Available with Mission sash. For a unit with a Mission sash, subtract 13/16" (21 mm) from the vertical visible glass measurement.
  - SDL/Grille patterns are dependent on SDL/Grille type and window size. Please verify SDL/Grille patterns before confirming your order.
  - Available with Push Out hardware.
  - For Masonry opening information see page A24-A29.
  - Sizes are shown as double glazing, not all sizes may be available in triple glazing.
  - Egress calculations are based on the unit being opened at 70° for washability hinge, 80° for egress hinge, and having minimum clear openings of:
    - Meets US Egress: 20" in width, 24" in height, with a total egress area of 5.7 Sq Ft (Push Out Only)
    - Meets Canadian Egress: 15" in width, 15" in height, with a total egress area of 3.8 Sq Ft
  - Please check your local building codes for any variation in Egress Standards from those stated above. For egress information, contact your Authorized Loewen Dealer.

### Contemporary Frame Cladding Detail

#### Head & Sill Detail

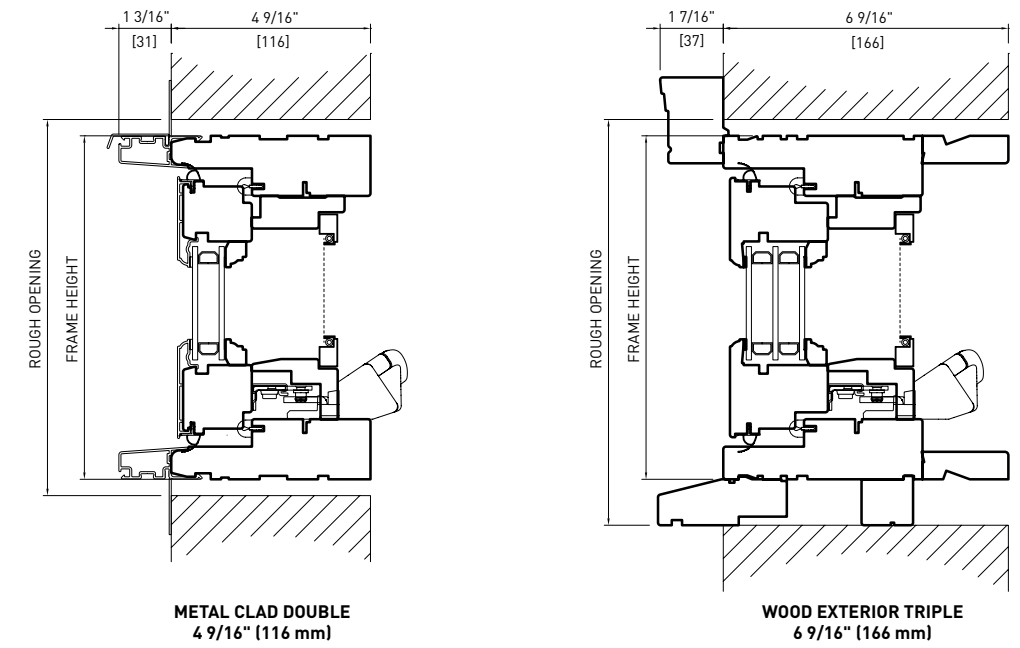


#### Casing

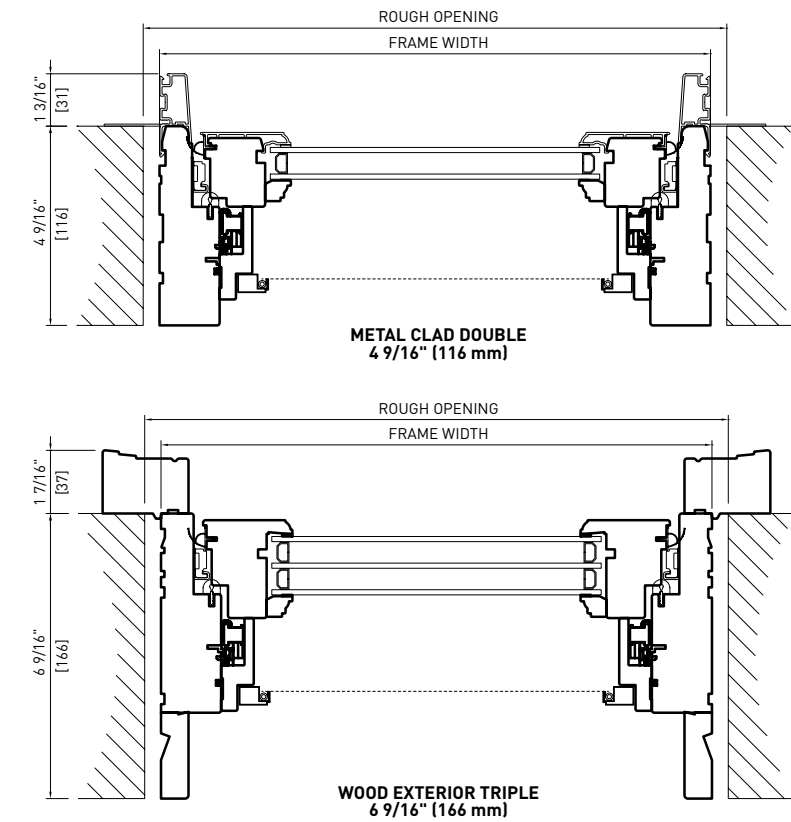


### Awning Window Wall Connection Detail

#### Head & Sill Detail



#### Plan View

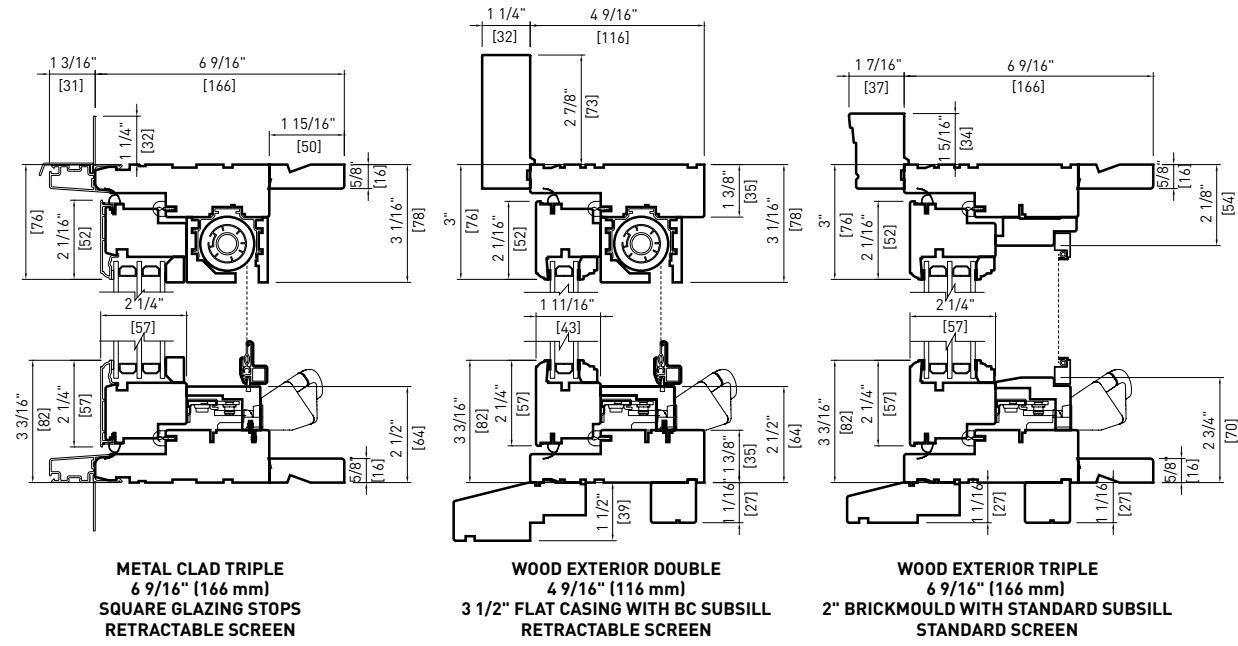


Note: • Other jamb widths available.  
• All dimensions to have +/- 1/16" (2mm) tolerance.



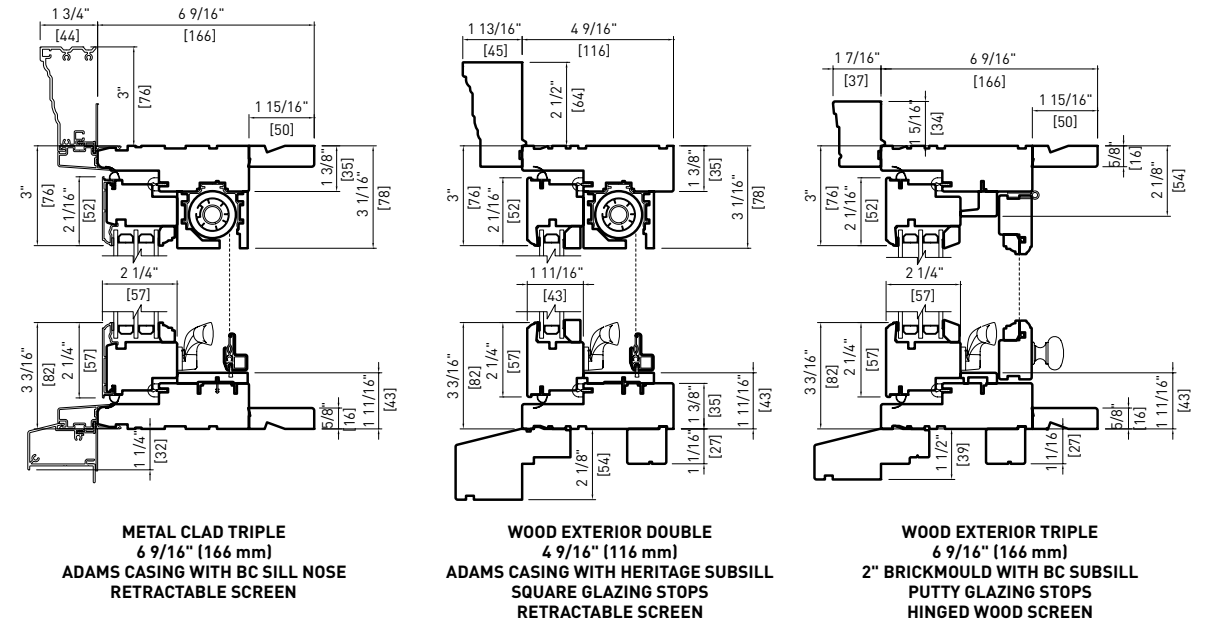
### Awning Window Detail

#### Head & Sill Detail

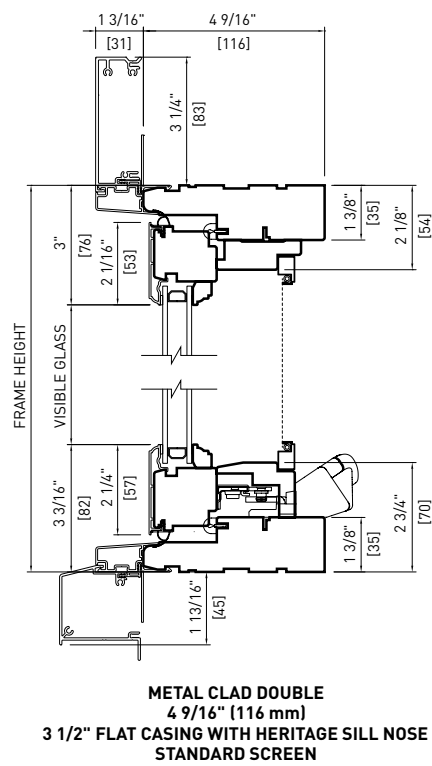


### Push Out Awning Window Detail

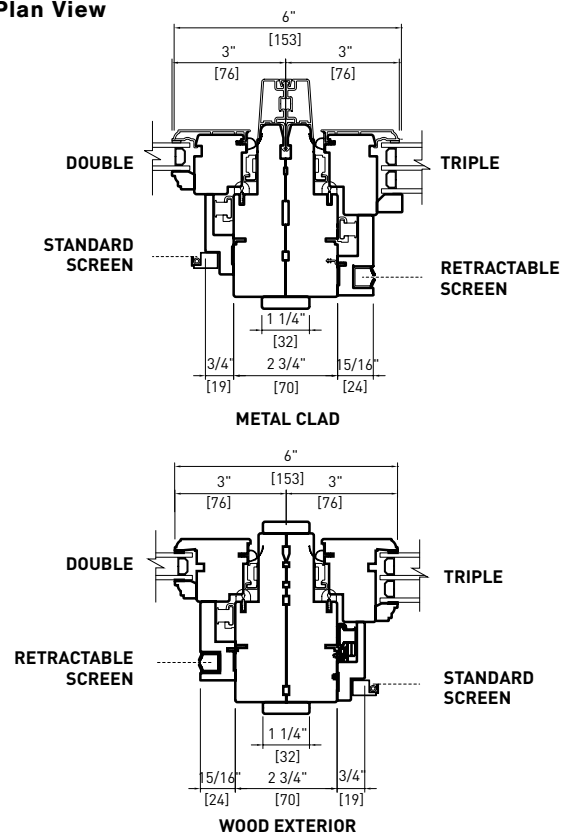
#### Head & Sill Detail



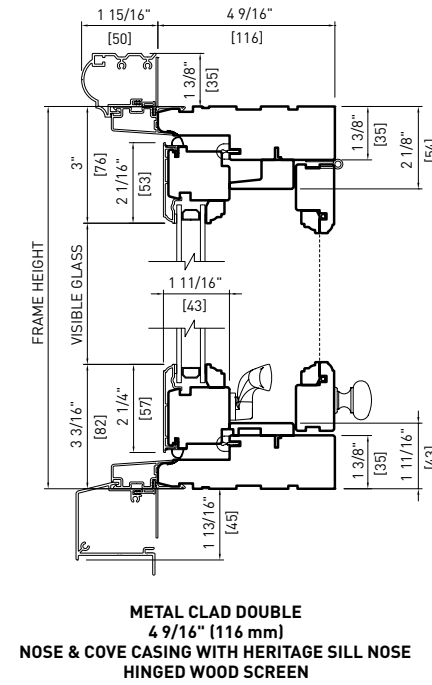
#### Head & Sill Detail



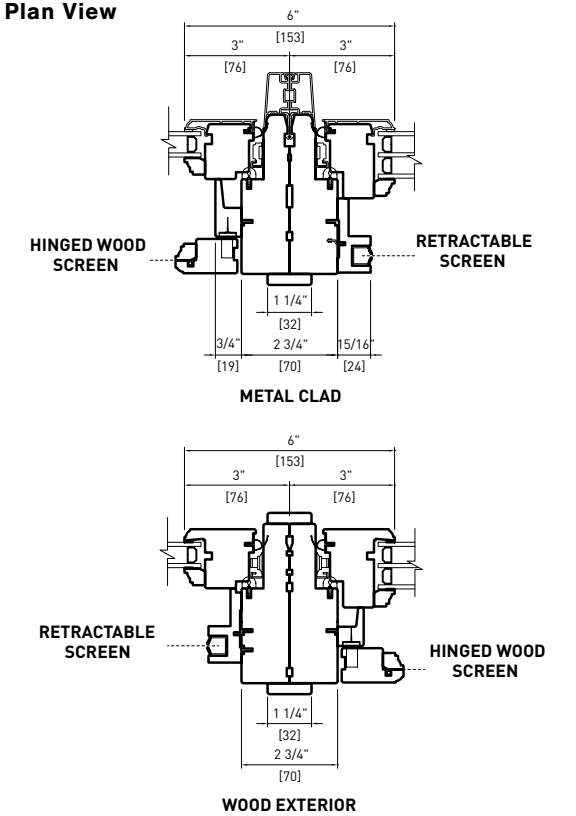
#### Plan View



#### Head & Sill Detail



#### Plan View

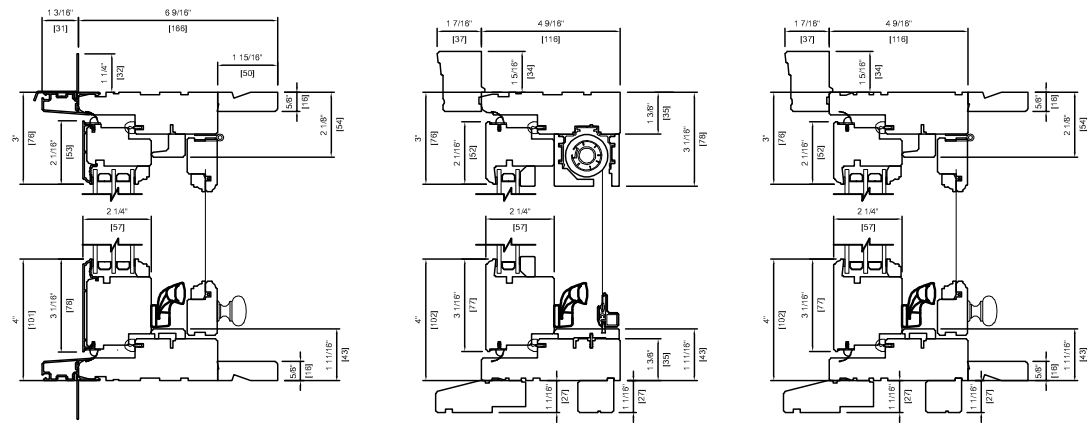


Note: • Other jamb widths available.  
• All dimensions to have +/- 1/16" (2mm) tolerance.

Note: • Other jamb widths available.  
• All dimensions to have +/- 1/16" (2mm) tolerance.

### Mission Awning Window Detail

#### Head & Sill Detail



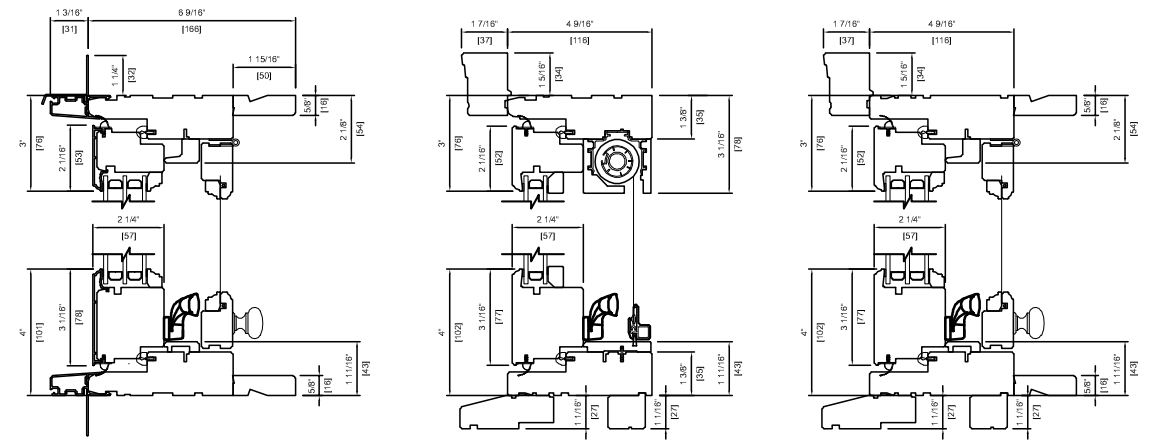
METAL CLAD TRIPLE  
6 9/16" (166mm)  
HINGED WOOD SCREEN

NON CLAD DOUBLE  
4 9/16" (116mm)  
SQUARE GLAZING STOPS  
RETRACTABLE SCREEN  
2" BRICKMOULD STANDARD SUBSILL

NON CLAD TRIPLE  
6 9/16" (166mm)  
HINGED WOOD SCREEN  
2" BRICKMOULD STANDARD SUBSILL

### Push Out Mission Awning Window Detail

#### Head & Sill Detail

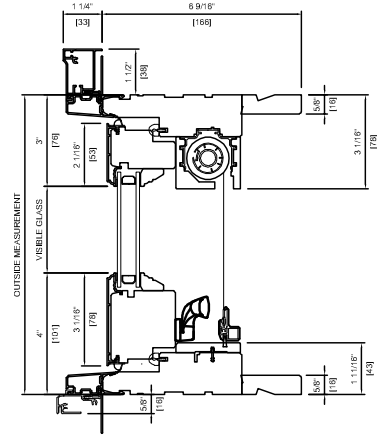


METAL CLAD TRIPLE  
6 9/16" (166mm)  
HINGED WOOD SCREEN

NON CLAD DOUBLE  
4 9/16" (116mm)  
SQUARE GLAZING STOPS  
RETRACTABLE SCREEN  
2" BRICKMOULD STANDARD SUBSILL

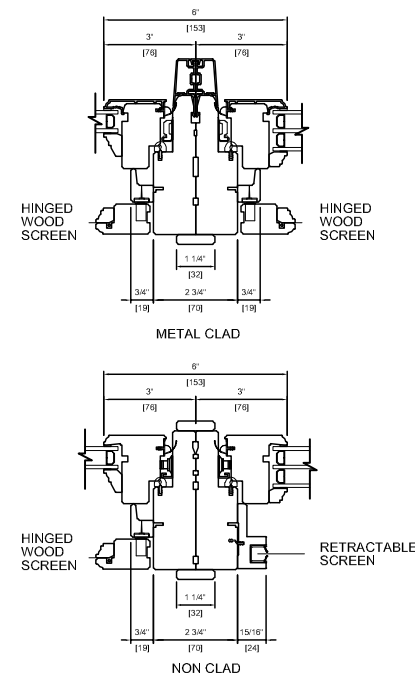
NON CLAD TRIPLE  
6 9/16" (166mm)  
HINGED WOOD SCREEN  
2" BRICKMOULD STANDARD SUBSILL

#### Head & Sill Detail



METAL CLAD DOUBLE  
6 9/16" (166mm)  
2" BRICKMOULD STANDARD SILL NOSE  
RETRACTABLE SCREEN

#### Plan View



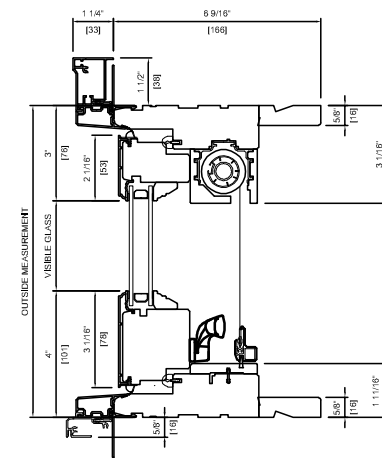
HINGED WOOD SCREEN HINGED WOOD SCREEN

METAL CLAD

HINGED WOOD SCREEN RETRACTABLE SCREEN

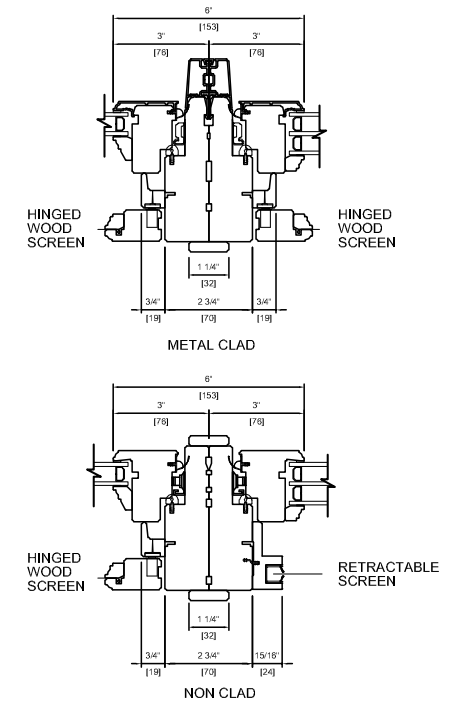
NON CLAD

#### Head & Sill Detail



METAL CLAD DOUBLE  
6 9/16" (166mm)  
2" BRICKMOULD STANDARD SILL NOSE  
RETRACTABLE SCREEN

#### Plan View



HINGED WOOD SCREEN HINGED WOOD SCREEN

METAL CLAD

HINGED WOOD SCREEN RETRACTABLE SCREEN

NON CLAD

Note: • Other jamb widths available.  
• All dimensions to have +/- 1/16" (2mm) tolerance.

Note: • Other jamb widths available.  
• All dimensions to have +/- 1/16" (2mm) tolerance.

