



MULTISLIDE DOORS

Technical Guide M

LOEWEN MULTISLIDE

MultiSlide doors provide large dramatic openings for the transition from indoor and outdoor living spaces. With an easy, smooth and quiet operation, using stainless steel tracks, MultiSlide interlocking sliding panels provides secure and weatherproof options in large openings. A large selection of custom configurations and design options are available, including bi-parting and hidden pocketing.

Loewen narrow stile and rail panels provide a contemporary look with a narrow stile 2 7/8" face width. This width is narrower than many sliding door programs while still incorporating an available flush handle and multipoint locking mechanism. Also available in the wide 4 5/16" stile. The panel construction, using authentic Loewen door components, results in a cohesive aesthetic with other Loewen product lines.

Our unique 2 1/4" thick panel adds superior thermal performance, as well as strength and durability. The high structural integrity and raised threshold options allow MultiSlide doors to be located in areas of moderate to high exposure where homeowners want a broad view with no visual interference — mountain, hillside or lake-front vistas. Multi track thermally broken frame and sill is available in raised sill with no riser, 1 1/8" riser and 1 1/2" riser for best performance.

Doors can be clad in a variety of colors from the extensive Loewen palette, and are available in Douglas Fir or in Mahogany interiors.



FEATURES & SPECIFICATIONS

Standard Features

Standard panel heights up to 10 feet.

Standard panel widths up to 6 feet; custom sizes available up to 34' system width.

Natural Douglas Fir interior (no visible finger joints).

LowE insulated tempered glazing.

2 1/4" (58 mm) thick sliding panels.

Extruded aluminum cladding in all palette colors including anodized.

Standard bronze anodized sill with built in drainage system.

Metal clad jamb fillers and frame cladding match clad door panels.

Hardware

Multipoint locking door handles are available in a variety of styles and finishes, see section A. The locking hardware is also available in several optional finishes. Stainless steel roller assemblies are optional.

Glazing

LowE Double, LowE Triple, Tranquility® and StormForce™. StormForce is not available on all products. Double or triple glass configurations with 1/2" (13 mm) airspace. With countless glazing configurations and LowE coating options, we ensure that you can choose the perfect blend of protection and comfort. LowE best describes the benefits of the product that incorporates glazing coatings and Argon gas. LowE systems help reduce heating and cooling costs, providing superior energy efficiency.

Simulated Divided Lites (SDL)

Standard SDL complete with airspace grilles, where available. Grille bars are permanently applied to the interior and exterior.

Ogee Profile – 3/4" (19 mm), 1 1/8" (30 mm), 2" (51 mm)

Putty Profile – 5/8" (16 mm), 7/8" (22 mm), 1 1/8" (30 mm), 2" (51 mm)

Square Profile (interior only) – 5/8" (16mm), 3/4" (19 mm), 7/8" (22 mm), 1 1/8" (30 mm), 2" (51 mm)

Metal Cladding

Heavy duty exterior metal cladding comprised of extruded aluminum is available in a variety of Palette colors, including anodized and Cyprium (copper and bronze cladding). Metal clad units are supplied knock-down ready-to-install complete with integral metal nailing flange.

Wood

In addition to our standard Coastal Douglas Fir, the entire Loewen product line is also available in optional Mahogany. The interior can be natural wood (unfinished), primed, or prefinished in Jet Black or Oxford White paint. Additional wood species, as well as the Jet Black and Oxford White prefinishes, are available through our Custom Shop. All door panels are constructed with a laminated engineered core of Douglas Fir. Alternate species are a thick skin applied over the engineered Douglas Fir core. All wood parts are dipped in approved preservative.

FEATURES & SPECIFICATIONS

Performance Standards

Most units have been tested by an independent laboratory for air and water infiltration, structural performance, and thermal performance requirements.

Panel

Manufactured from Coastal Douglas Fir kiln-dried lumber. The entire Loewen product line is also available in optional Mahogany. Opening panel is equipped with two sets of adjustable ball bearing tandem rollers. Sash is 2 1/4" (58 mm) thick for extra strength and durability.

Sill Track

Bronze Anodized extruded aluminum sill with stainless steel cap over operating track for ease of operation and long-lasting performance. An internal weep system with drainage holes drains water to the exterior. Multi track thermally broken frame and sill is available in raised sill with no riser, 1 1/8" riser and 1 1/2" riser.

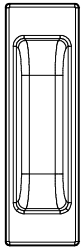
Sample Configurations

Stacking	Pocketed
0XX	PXX
0XXX	PXXX
0XXXX	PXXXX
0XXXXXX	PXXXXXXX
0X - X0	PXX - XXP
0XX - XX0	PXXX - XXXP
0XXX - XXX0	PXXXX - XXXXP

X = Operating 0=Fixed P=Pocket

FEATURES & SPECIFICATIONS

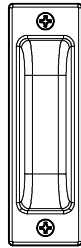
KEYED OPTION 1



PASSIVE
EXTERIOR VIEW



ACTIVE
EXTERIOR VIEW



PASSIVE
INTERIOR VIEW



ACTIVE
INTERIOR VIEW



Flush handle



Exterior pull



Multipoint handle system

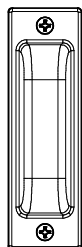
NON KEYED OPTION 2



PASSIVE
EXTERIOR VIEW



ACTIVE
EXTERIOR VIEW



PASSIVE
INTERIOR VIEW



ACTIVE
INTERIOR VIEW



Multislide Narrow Stile Stacking

Width

Height

Rough Opening		48 1/2 [1232]	69 11/16 [1770]	72 1/2 [1842]	105 11/16 [2684]	138 13/16 [3527]	172 [4369]	205 3/16 [6052]	238 5/16 [6052]	271 1/2 [6896]	144 1/2 [3671]	213 11/16 [5427]	282 13/16 [7184]	352 [8941]	409 [10383]		
System		47 1/2 [1207]	68 11/16 [1744]	71 1/2 [1816]	104 11/16 [2659]	137 13/16 [3501]	171 [4344]	204 3/16 [5186]	236 5/16 [6028]	270 1/2 [6871]	143 1/2 [3645]	212 11/16 [5402]	281 13/16 [7159]	351 [8916]	408 [10363]		
R.O.		Panel		Jamb													
		24 [610]	24 [610]	36 [914]	36 [914]	36 [914]	36 [914]	36 [914]	36 [914]	36 [914]	36 [914]	72 [1829]	72 [1829]	72 [1829]	72 [1829]	70 [1777]	
		Jamb															
		7 3/8 [188]	10 3/8 [264]	7 3/8 [188]	10 3/8 [264]	13 3/8 [340]	16 3/8 [416]	19 3/8 [492]	22 3/8 [569]	25 3/8 [645]	7 3/8 [188]	10 3/8 [264]	13 3/8 [340]	16 3/8 [416]	19 3/8 [492]		
39 1/8 [994]	38 5/8 [981]	36 [914]		OX XO	OX XXO	OX XO	OX XXO	OXXX XXXO	OXXXX XXXXO	OXXXXX XXXXXO	OXXXXXX XXXXXXO	OXXXXXXXX XXXXXXXXO	OX XO	OX XXO	OXXX XXXO	OXXXX XXXXO	OXXXXX XXXXXO
63 1/8 [1604]	62 5/8 [1591]	60 [1524]		OX XO	OX XXO	OX XO	OX XXO	OXXX XXXO	OXXXX XXXXO	OXXXXX XXXXXO	OXXXXXX XXXXXXO	OXXXXXXXX XXXXXXXXO	OX XO	OX XXO	OXXX XXXO	OXXXX XXXXO	OXXXXX XXXXXO
87 3/16 [2214]	86 11/16 [2201]	84 [2134]				OX XO	OX XXO	OXXX XXXO	OXXXX XXXXO	OXXXXX XXXXXO	OXXXXXX XXXXXXO	OXXXXXXXX XXXXXXXXO	OX XO	OX XXO	OXXX XXXO	OXXXX XXXXO	OXXXXX XXXXXO
99 1/8 [2518]	98 5/8 [2505]	96 [2438]				OX XO	OX XXO	OXXX XXXO	OXXXX XXXXO	OXXXXX XXXXXO	OXXXXXX XXXXXXO	OXXXXXXXX XXXXXXXXO	OX XO	OX XXO	OXXX XXXO	OXXXX XXXXO	OXXXXX XXXXXO
111 1/8 [2823]	110 5/8 [2810]	108 [2743]				OX XO	OX XXO	OXXX XXXO	OXXXX XXXXO	OXXXXX XXXXXO	OXXXXXX XXXXXXO	OXXXXXXXX XXXXXXXXO	OX XO	OX XXO	OXXX XXXO	OXXXX XXXXO	OXXXXX XXXXXO
123 1/8 [3128]	122 5/8 [3115]	120 [3048]				OX XO	OX XXO	OXXX XXXO	OXXXX XXXXO	OXXXXX XXXXXO	OXXXXXX XXXXXXO	OXXXXXXXX XXXXXXXXO	OX XO	OX XXO	OXXX XXXO	OXXXX XXXXO	OXXXXX XXXXXO

- Minimum Panel Dimensions - 2' x 3'
- Maximum Panel Dimensions - 6' x 10'
- Maximum System Width - 34'

Note:

- O = Fixed
- X = Operating
- P = Pocketing
- The preparation of the rough opening for large openings such as those required by, but not limited to, LiftSlide, Bifold and MultiSlide doors have unique requirements. Structural headers that allow for deflection no greater than 1/8" along the unsupported length once the header is fully loaded are required. Special care needs to be taken when installing any unit including transoms above such large opening units.
- Loewen is not responsible for site measurements or the determination of structural and architectural requirements for the installation of large opening products such as but not limited to, LiftSlide, Bifold and MultiSlide doors. Site specifications are the responsibility of building professionals or engineers to determine.

Multislide Wide Stile Stacking

		Width														
R.O	Rough Opening	47 [1193]	66 5/8 [1692]	71 [1803]	102 5/8 [2606]	134 1/4 [3410]	165 7/8 [4213]	197 1/2 [5016]	229 1/8 [5820]	260 3/4 [6623]	143 [3632]	210 5/8 [5349]	278 1/4 [7067]	345 7/8 [8785]	409 [10389]	
	System	46 [1168]	65 5/8 [1666]	70 [1777]	101 5/8 [2581]	133 1/4 [3384]	164 7/8 [4188]	196 1/2 [4991]	228 1/8 [5794]	259 3/4 [6598]	142 [3606]	209 5/8 [5324]	277 1/4 [7042]	344 7/8 [8760]	408 [10363]	
	Panel	24 [610]	24 [610]	36 [914]	36 [914]	36 [914]	36 [914]	36 [914]	36 [914]	36 [914]	36 [914]	72 [1829]	72 [1829]	72 [1829]	72 [1829]	61 11/16 [1567]
	Jamb	7 3/8 [188]	10 3/8 [264]	7 3/8 [188]	10 3/8 [264]	13 3/8 [340]	16 3/8 [416]	19 3/8 [492]	22 3/8 [569]	25 3/8 [645]	7 3/8 [188]	10 3/8 [264]	13 3/8 [340]	16 3/8 [416]	19 3/8 [492]	
	Height	39 1/8 [994]	38 5/8 [981]	36 [914]												
	63 1/8 [1604]	62 5/8 [1591]	60 [1524]													
	87 3/16 [2214]	86 11/16 [2201]	84 [2134]													
	99 1/8 [2518]	98 5/8 [2505]	96 [2438]													
	111 1/8 [2823]	110 5/8 [2810]	108 [2743]													
	123 1/8 [3128]	122 5/8 [3115]	120 [3048]													

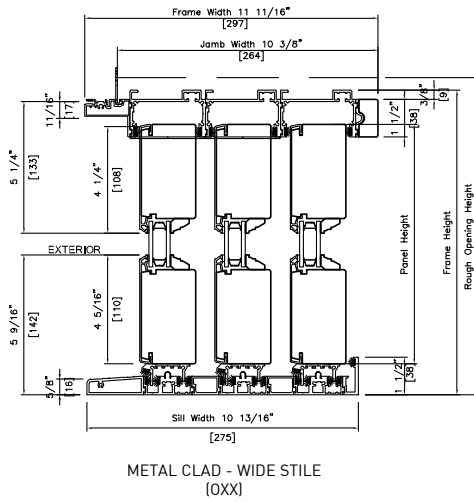
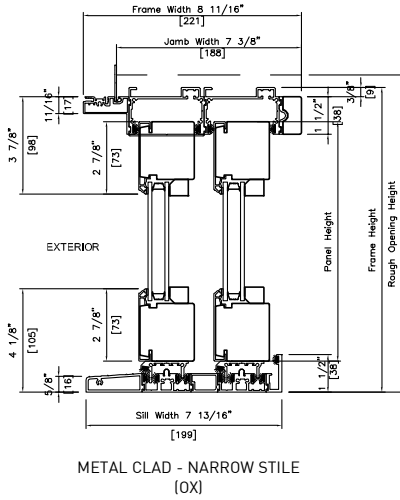
- Minimum Panel Dimensions - 2' x 3'
- Maximum Panel Dimensions - 6' x 10'
- Maximum System Width - 34'

Note:

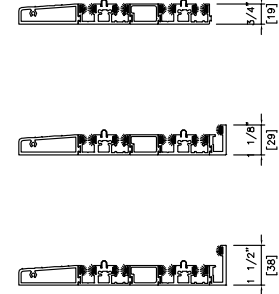
- O = Fixed
- X = Operating
- P = Pocketing
- The preparation of the rough opening for large openings such as those required by, but not limited to, LiftSlide, Bifold and MultiSlide doors have unique requirements. Structural headers that allow for deflection no greater than 1/8" along the unsupported length once the header is fully loaded are required. Special care needs to be taken when installing any unit including transoms above such large opening units.
- Loewen is not responsible for site measurements or the determination of structural and architectural requirements for the installation of large opening products such as but not limited to, LiftSlide, Bifold and MultiSlide doors. Site specifications are the responsibility of building professionals or engineers to determine.

Multislide Stacking Door Detail

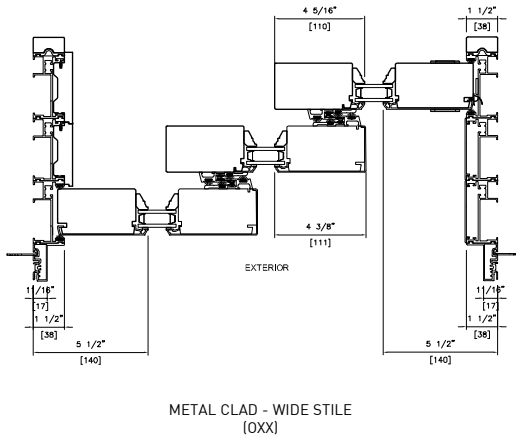
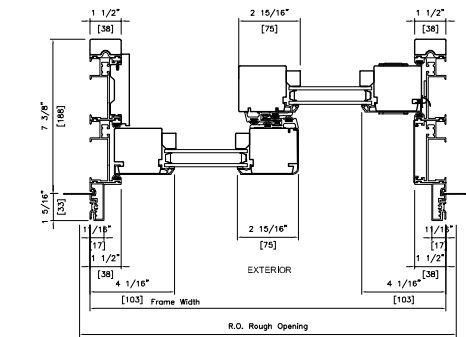
Head & Sill Detail



Optional Risers

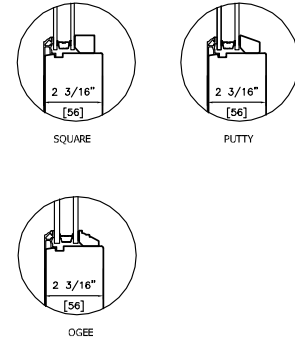


Plan View

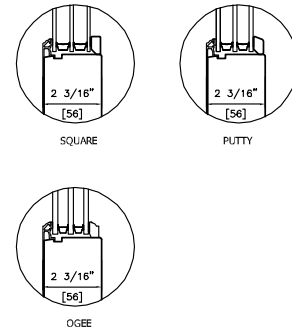


Glazing Stop Profiles

Double



Triple



- Note:
- Drawings shown are typical details.
 - Additional sizes and configurations available.
 - Screen options may be available depending on size and configuration.
 - All dimensions to have +/- 1/16" (2 mm) tolerance.
 - O = Fixed
 - X = Operating
 - P = Pocketing

- The preparation of the rough opening for large openings such as those required by, but not limited to, LiftSlide, Bifold and MultiSlide doors have unique requirements. Structural headers that allow for deflection no greater than 1/8" along the unsupported length once the header is fully loaded are required. Special care needs to be taken when installing any unit including transoms above such large opening units.
- Loewen is not responsible for site measurements or the determination of structural and architectural requirements for the installation of large opening products such as but not limited to, LiftSlide, Bifold and MultiSlide doors. Site specifications are the responsibility of building professionals or engineers to determine.

Multislide Narrow Stile - Stacking With Pocket

Width

Height

Rough Opening		53 [1346]	74 3/16 [1884]	77 [1956]	110 3/16 [2798]	143 5/16 [3640]	176 1/2 [4483]	209 5/8 [5325]	242 13/16 [6168]	276 [7010]	309 1/8 [7852]	149 [3784]	218 3/16 [5541]	287 5/16 [7298]	320 1/2 [8140]	409 [10389]	
System		52 [1321]	73 3/16 [1858]	76 [1930]	109 3/16 [2773]	142 5/16 [3615]	175 1/2 [4457]	208 5/8 [5300]	241 13/16 [6142]	275 [6984]	308 1/8 [7827]	148 [3759]	217 3/16 [5516]	286 5/16 [7273]	319 1/2 [8115]	408 [1063]	
Framed Rough Opening		28 [711]	49 3/16 [1249]	40 [1016]	73 3/16 [1858]	106 5/16 [2701]	139 1/2 [3543]	172 11/16 [4385]	205 13/16 [5228]	239 [6070]	272 1/8 [6913]	76 [1930]	145 3/16 [3687]	214 5/16 [5444]	247 1/2 [6286]	338 3/4 [8605]	
Panel		24 [610]	24 [610]	36 [914]	36 [914]	36 [914]	36 [914]	36 [914]	36 [914]	36 [914]	36 [914]	36 [914]	72 [1829]	72 [1829]	72 [1829]	72 [1829]	69 1/4 [1758]
Pocket		4 15/16 [125]	7 [178]	4 15/16 [125]	7 [178]	10 [254]	13 [330]	16 [406]	19 [483]	22 [559]	25 [635]	4 15/16 [125]	7 [178]	10 [254]	13 [330]	16 [406]	
Jamb		4 3/8 [111]	7 3/8 [187]	4 3/8 [111]	7 3/8 [188]	10 3/8 [264]	13 3/8 [340]	16 3/8 [416]	19 3/8 [492]	22 3/8 [569]	25 3/8 [645]	4 3/8 [111]	7 3/8 [187]	10 3/8 [264]	13 3/8 [340]	16 3/8 [416]	
39 1/8 [994]	38 5/8 [981]	36 [914]			PX XP	PXX XXP	PX XP	PXX XXP	PXXX XXXP	PXXXX XXXXP	PXXXXX XXXXXP	PXXXXXX XXXXXXP	PXXXXXXX XXXXXXXP	PXXXXXXX XXXXXXXP	PXXXXXXX XXXXXXXP	PXXXXXXX XXXXXXXP	PXXXXXXX XXXXXXXP
63 1/8 [1604]	62 5/8 [1591]	60 [1524]			PX XP	PXX XXP	PX XP	OX XO	PXX XXP	PXXX XXXP	PXXXX XXXXP	PXXXXX XXXXXP	PXXXXXX XXXXXXP	PXXXXXXX XXXXXXXP	PXXXXXXX XXXXXXXP	PXXXXXXX XXXXXXXP	PXXXXXXX XXXXXXXP
87 3/16 [2214]	86 11/16 [2201]	84 [2134]					PX XP	OX XO	PXX XXP	PXXX XXXP	PXXXX XXXXP	PXXXXX XXXXXP	PXXXXXX XXXXXXP	PXXXXXXX XXXXXXXP	PXXXXXXX XXXXXXXP	PXXXXXXX XXXXXXXP	PXXXXXXX XXXXXXXP
99 1/8 [2518]	98 5/8 [2505]	96 [2438]					PX XP	OX XO	PXX XXP	PXXX XXXP	PXXXX XXXXP	PXXXXX XXXXXP	PXXXXXX XXXXXXP	PXXXXXXX XXXXXXXP	PXXXXXXX XXXXXXXP	PXXXXXXX XXXXXXXP	PXXXXXXX XXXXXXXP
111 1/8 [2823]	110 5/8 [2810]	108 [2743]					PX XP	OX XO	PXX XXP	PXXX XXXP	PXXXX XXXXP	PXXXXX XXXXXP	PXXXXXX XXXXXXP	PXXXXXXX XXXXXXXP	PXXXXXXX XXXXXXXP	PXXXXXXX XXXXXXXP	PXXXXXXX XXXXXXXP
123 1/8 [3128]	122 5/8 [3115]	120 [3048]					PX XP	OX XO	PXX XXP	PXXX XXXP	PXXXX XXXXP	PXXXXX XXXXXP	PXXXXXX XXXXXXP	PXXXXXXX XXXXXXXP	PXXXXXXX XXXXXXXP	PXXXXXXX XXXXXXXP	PXXXXXXX XXXXXXXP

-  Minimum Panel Dimensions - 2' x 3'
-  Maximum Panel Dimensions - 6' x 10'
-  Maximum System Width - 34'

Note:

- O = Fixed
- X = Operating
- P = Pocketing
- The preparation of the rough opening for large openings such as those required by, but not limited to, LiftSlide, Bifold and MultiSlide doors have unique requirements. Structural headers that allow for deflection no greater than 1/8" along the unsupported length once the header is fully loaded are required. Special care needs to be taken when installing any unit including transoms above such large opening units.
- Loewen is not responsible for site measurements or the determination of structural and architectural requirements for the installation of large opening products such as but not limited to, LiftSlide, Bifold and MultiSlide doors. Site specifications are the responsibility of building professionals or engineers to determine.

Multislide Stacking Door Detail

Width

Height	R.O	Rough Opening	53 [1346]	72 5/8 [1845]	77 [1956]	108 5/8 [2759]	140 1/4 [352]	171 7/8 [4366]	203 1/2 [5169]	235 1/8 [5973]	266 3/4 [6776]	298 3/8 [7579]	149 [3784]	216 5/8 [5502]	284 1/4 [7220]	351 7/8 [8938]	409 [10389]	
		System	52 [1321]	71 5/8 [1819]	76 [1930]	107 5/8 [2734]	139 1/4 [3537]	170 7/8 [4340]	202 1/2 [5144]	234 1/8 [5947]	265 3/4 [6751]	297 3/8 [7554]	148 [3759]	215 5/8 [5477]	283 1/4 [7195]	350 7/8 [8912]	408 [1063]	
		Framed Rough Opening	28 [711]	47 5/8 [1210]	40 [1016]	71 5/8 [1819]	103 1/4 [2623]	134 7/8 [3426]	166 1/2 [4229]	198 1/8 [5033]	229 3/4 [5836]	261 3/8 [6640]	76 [1930]	143 5/8 [3648]	211 1/4 [5366]	278 7/8 [7084]	337 3/4 [8579]	
		Panel	24 [610]	24 [610]	36 [914]	36 [914]	36 [914]	36 [914]	36 [914]	36 [914]	36 [914]	36 [914]	36 [914]	72 [1829]	72 [1829]	72 [1829]	72 [1829]	70 1/4 [1784]
		Pocket	4 15/16 [125]	7 [178]	4 15/16 [125]	7 [178]	10 [254]	13 [330]	16 [406]	19 [483]	22 [559]	25 [635]	4 15/16 [125]	7 [178]	10 [254]	13 [330]	16 [406]	
		Jamb	4 3/8 [111]	7 3/8 [187]	4 3/8 [111]	7 3/8 [188]	10 3/8 [264]	13 3/8 [340]	16 3/8 [416]	19 3/8 [492]	22 3/8 [569]	25 3/8 [645]	4 3/8 [111]	7 3/8 [187]	10 3/8 [264]	13 3/8 [340]	16 3/8 [416]	
	39 1/8 [994]	38 5/8 [981]	36 [914]	PX XP	PXX XXP	PX XP	PXX XXP	PXXX XXXXP	PXXXX XXXXXP	PXXXXX XXXXXP	PXXXXXX XXXXXP	PXXXXXXX XXXXXP	PX XP	PXX XXP	PXXX XXXP	PXXXX XXXXP	PXXXXX XXXXXP	
	63 1/8 [1604]	62 5/8 [1591]	60 [1524]	PX XP	PXX XXP	PX XP	OXX XXO	PXXX XXXP	PXXXX XXXXP	PXXXXX XXXXXP	PXXXXXX XXXXXP	PXXXXXXX XXXXXP	PX XP	PXX XXP	PXXX XXXP	PXXXX XXXXP	PXXXXX XXXXXP	
	87 3/16 [2214]	86 11/16 [2201]	84 [2134]			PX XP	OXX XXO	PXXX XXXP	PXXXX XXXXP	PXXXXX XXXXXP	PXXXXXX XXXXXP	PXXXXXXX XXXXXP	PX XP	PXX XXP	PXXX XXXP	PXXXX XXXXP	PXXXXX XXXXXP	
	99 1/8 [2518]	98 5/8 [2505]	96 [2438]			PX XP	OXX XXO	PXXX XXXP	PXXXX XXXXP	PXXXXX XXXXXP	PXXXXXX XXXXXP	PXXXXXXX XXXXXP	PX XP	PXX XXP	PXXX XXXP	PXXXX XXXXP	PXXXXX XXXXXP	
	111 1/8 [2823]	110 5/8 [2810]	108 [2743]			PX XP	OXX XXO	PXXX XXXP	PXXXX XXXXP	PXXXXX XXXXXP	PXXXXXX XXXXXP	PXXXXXXX XXXXXP	PX XP	PXX XXP	PXXX XXXP	PXXXX XXXXP	PXXXXX XXXXXP	
	123 1/8 [3128]	122 5/8 [3115]	120 [3048]			PX XP	OXX XXO	PXXX XXXP	PXXXX XXXXP	PXXXXX XXXXXP	PXXXXXX XXXXXP	PXXXXXXX XXXXXP	PX XP	PXX XXP	PXXX XXXP	PXXXX XXXXP	PXXXXX XXXXXP	

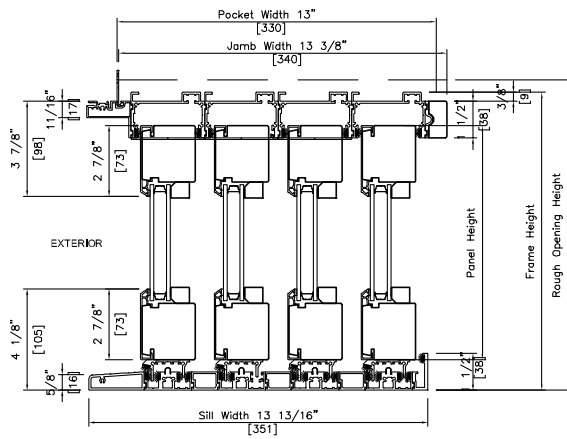
- Minimum Panel Dimensions - 2' x 3'
- Maximum Panel Dimensions - 6' x 10'
- Maximum System Width - 34'

Note:

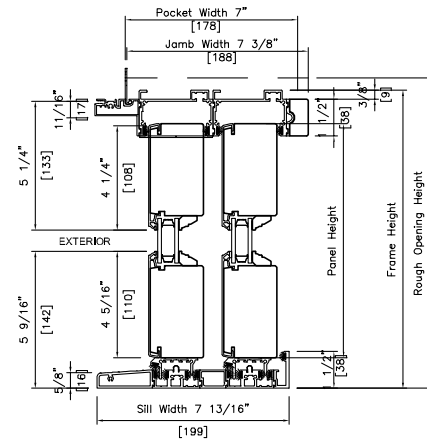
- O = Fixed
- X = Operating
- P = Pocketing
- The preparation of the rough opening for large openings such as those required by, but not limited to, LiftSlide, Bifold and MultiSlide doors have unique requirements. Structural headers that allow for deflection no greater than 1/8" along the unsupported length once the header is fully loaded are required. Special care needs to be taken when installing any unit including transoms above such large opening units.
- Loewen is not responsible for site measurements or the determination of structural and architectural requirements for the installation of large opening products such as but not limited to, LiftSlide, Bifold and MultiSlide doors. Site specifications are the responsibility of building professionals or engineers to determine.

Multislide Narrow Stile - Stacking With Pocket

Head & Sill Detail

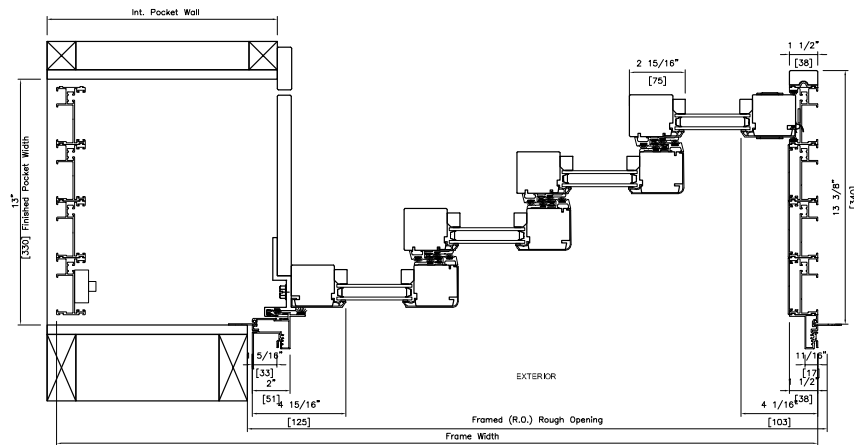


METAL CLAD - NARROW STILE (PXXXX)

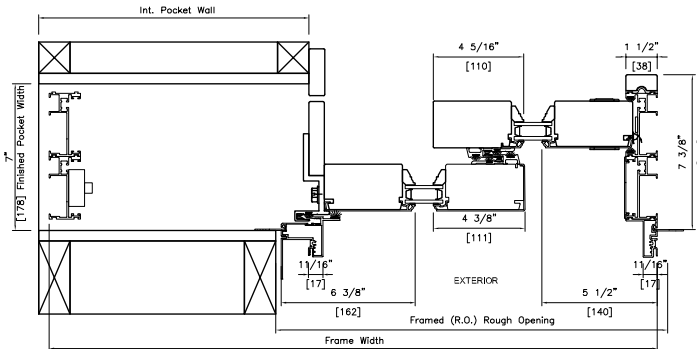


METAL CLAD - WIDE STILE (PX)

Plan View



METAL CLAD - NARROW STILE (PXXXX)



METAL CLAD - WIDE STILE (PX)

- Note:**
- Drawings shown are typical details.
 - Additional sizes and configurations available.
 - Screen options may be available depending on size and configuration.
 - All dimensions to have +/- 1/16" (2 mm) tolerance.
 - O = Fixed
 - X = Operating
 - P = Pocketing
 - The preparation of the rough opening for large openings such as those required by, but not limited to, LiftSlide, Bifold and MultiSlide doors have unique requirements. Structural headers that allow for deflection no greater than 1/8" along the unsupported length once the header is fully loaded are required. Special care needs to be taken when installing any unit including transoms above such large opening units.
 - Loewen is not responsible for site measurements or the determination of structural and architectural requirements for the installation of large opening products such as but not limited to, Liftslide, Bifold and MultiSlide doors. Site specifications are the responsibility of building professionals or engineers to determine.

Multislide Narrow Stile - Bi-Parting

		Width										
R.O	Rough Opening	94 3/8 [2396]	136 11/16 [3472]	142 3/8 [3616]	208 11/16 [5300]	275 [6985]	341 5/16 [8670]	407 11/16 [10355]	286 3/8 [7273]	409 [10389]		
	System	93 3/8 [2371]	135 11/16 [3446]	141 3/8 [3590]	207 11/16 [5275]	274 [6960]	340 5/16 [8645]	406 11/16 [10330]	285 3/8 [7248]	408 [10363]		
	Panel	24 [610]	24 [610]	36 [914]	36 [914]	36 [914]	36 [914]	36 [914]	36 [914]	36 [914]	69 3/8 [1762]	
	Jamb	7 3/8 [188]	10 3/8 [264]	7 3/8 [188]	10 3/8 [264]	13 3/8 [340]	16 3/8 [416]	19 3/8 [493]	7 3/8 [188]	10 3/8 [264]		
Height	39 1/8 [994]	38 5/8 [981]	36 [914]	OxXo	OXXXXO	OxXo	OXXXXO	OXXX- XXXO	OXXXX- XXXXO	OXXXXX- XXXXXO	OxXo	OXXXXO
	63 1/8 [1604]	62 5/8 [1591]	60 [1524]	OxXo	OXXXXO	OxXo	OXXXXO	OXXX- XXXO	OXXXX- XXXXO	OXXXXX- XXXXXO	OxXo	OXXXXO
	87 3/16 [2214]	86 11/16 [2201]	84 [2134]			OxXo	OXXXXO	OXXX- XXXO	OXXXX- XXXXO	OXXXXX- XXXXXO	OxXo	OXXXXO
	99 1/8 [2518]	98 5/8 [2505]	96 [2438]			OxXo	OXXXXO	OXXX- XXXO	OXXXX- XXXXO	OXXXXX- XXXXXO	OxXo	OXXXXO
	111 1/8 [2823]	110 5/8 [2810]	108 [2743]			OxXo	OXXXXO	OXXX- XXXO	OXXXX- XXXXO	OXXXXX- XXXXXO	OxXo	OXXXXO
	123 1/8 [3128]	122 5/8 [3115]	120 [3048]			OxXo	OXXXXO	OXXX- XXXO	OXXXX- XXXXO	OXXXXX- XXXXXO	OxXo	OXXXXO

- Minimum Panel Dimensions - 2' x 3'
- Maximum Panel Dimensions - 6' x 10'
- Maximum System Width - 34'

Note:

- O = Fixed
- X = Operating
- P = Pocketing
- The preparation of the rough opening for large openings such as those required by, but not limited to, LiftSlide, Bifold and MultiSlide doors have unique requirements. Structural headers that allow for deflection no greater than 1/8" along the unsupported length once the header is fully loaded are required. Special care needs to be taken when installing any unit including transoms above such large opening units.
- Loewen is not responsible for site measurements or the determination of structural and architectural requirements for the installation of large opening products such as but not limited to, LiftSlide, Bifold and MultiSlide doors. Site specifications are the responsibility of building professionals or engineers to determine.

Multislide Wide Stile - Bi-Parting

Width

R.O	Rough Opening		91 1/4 [2318]	130 9/16 [3316]	139 1/4 [3538]	202 9/16 [5144]	264 13/16 [6751]	329 1/16 [8358]	392 5/16 [9965]	283 1/4 [7195]	409 [10389]
	System		90 1/4 [2293]	129 9/16 [3290]	138 1/4 [3512]	201 9/16 [5119]	264 13/16 [6726]	328 1/16 [8333]	391 5/16 [9939]	282 1/4 [7170]	408 [10363]
	Panel		24 [610]	24 [610]	36 [914]	36 [914]	36 [914]	36 [914]	36 [914]	72 [1829]	70 7/16 [1788]
	Jamb		7 3/8 [188]	10 3/8 [264]	7 3/8 [188]	10 3/8 [264]	13 3/8 [340]	16 3/8 [416]	19 3/8 [493]	7 3/8 [188]	10 3/8 [264]
39 1/8 [994]	38 5/8 [981]	36 [914]									
63 1/8 [1604]	62 5/8 [1591]	60 [1524]									
87 3/16 [2214]	86 11/16 [2201]	84 [2134]									
99 1/8 [2518]	98 5/8 [2505]	96 [2438]									
111 1/8 [2823]	110 5/8 [2810]	108 [2743]									
123 1/8 [3128]	122 5/8 [3115]	120 [3048]									

Height

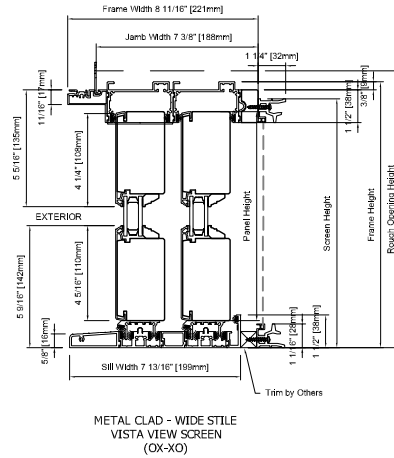
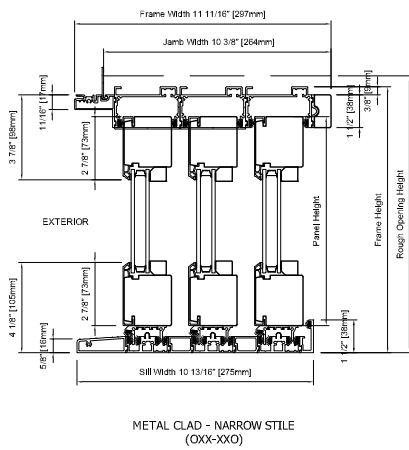
- Minimum Panel Dimensions - 2' x 3'
- Maximum Panel Dimensions - 6' x 10'
- Maximum System Width - 34'

Note:

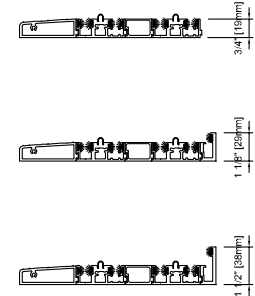
- O = Fixed
- X = Operating
- P = Pocketing
- The preparation of the rough opening for large openings such as those required by, but not limited to, LiftSlide, Bifold and MultiSlide doors have unique requirements. Structural headers that allow for deflection no greater than 1/8" along the unsupported length once the header is fully loaded are required. Special care needs to be taken when installing any unit including transoms above such large opening units.
- Loewen is not responsible for site measurements or the determination of structural and architectural requirements for the installation of large opening products such as but not limited to, LiftSlide, Bifold and MultiSlide doors. Site specifications are the responsibility of building professionals or engineers to determine.

Multislide Bi-Parting Door Detail

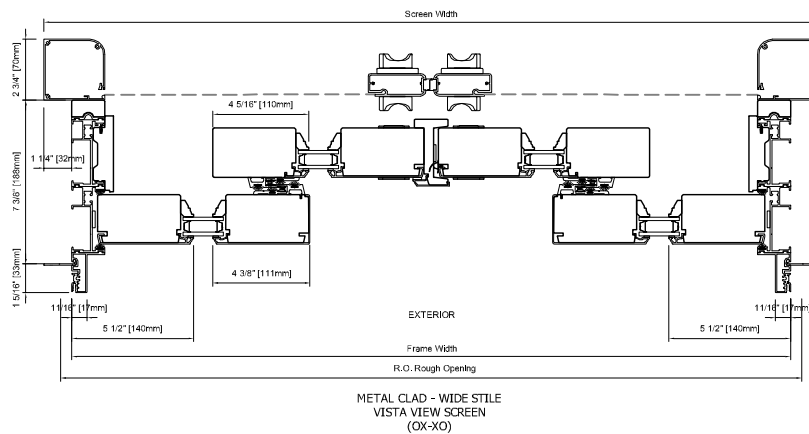
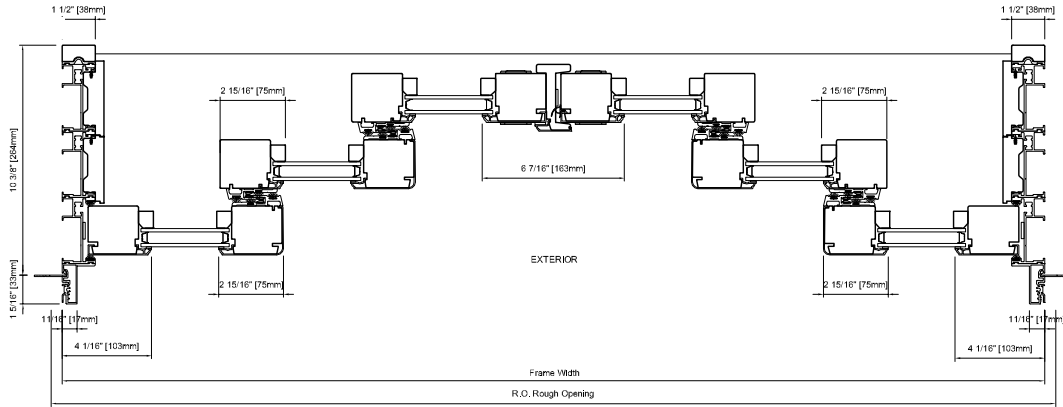
Head & Sill Detail



Optional Risers



Plan View



Note:

- Drawings shown are typical details.
- Additional sizes and configurations available.
- Screen options may be available depending on size and configuration.
- All dimensions to have +/- 1/16" (2 mm) tolerance.
- O = Fixed
- X = Operating
- P = Pocketing
- The preparation of the rough opening for large openings such as those required by, but not limited to, LiftSlide, Bifold and MultiSlide doors have unique requirements. Structural headers that allow for deflection no greater than 1/8" along the unsupported length once the header is fully loaded are required. Special care needs to be taken when installing any unit including transoms above such large opening units.
- Loewen is not responsible for site measurements or the determination of structural and architectural requirements for the installation of large opening products such as but not limited to, LiftSlide, Bifold and MultiSlide doors. Site specifications are the responsibility of building professionals or engineers to determine.

Multislide Narrow Stile - Bi-Parting With Pocket

		Width										
Rough Opening		103 5/16" 2624	145 5/8" 3699	151 5/16" 3843	217 5/8" 5528	284" 7213	350 5/16" 8898	409" 10389	295 5/16" 7501	409" 10389		
	R.O	System	102 5/16" 2599	144 5/8" 3674	150 5/16" 3818	216 5/8" 5503	283" 7188	349 5/16" 7188	408" 10363	294 5/16" 7476	408" 10363	
		Framed Rough Opening	53 5/16" 1354	95 5/8" 2429	77 5/16" 1964	143 5/8" 3649	210" 5333	276 5/16" 7018	336 1/4" 8541	149 5/16" 3793	271 13/16" 6889	
		Panel	24" 610	24" 610	36" 914	36" 914	36" 914	36" 914	35 3/8" 898	72" 1829	67 7/8" 1724	
		Pocket	4 15/16" 125	7" 178	4 15/16" 125	7" 178	10" 254	13" 330	16" 406	4 7/16" 113	7" 178	
		Jamb	4 3/8" 111	7 3/8" 187	4 3/8" 111	7 3/8" 188	10 3/8" 264	13 3/8" 340	16 3/8" 416	4 3/8" 111	7 3/8" 187	
	39 1/8" 994	38 5/8" 981	36" 914		PX-XP	PXX-XXP	PX-XP	PXX-XXP	PXXX-XXXXP	PXXXX-XXXXXP	PX-XP	PXX-XXP
	63 1/8" 1604	62 5/8" 1591	60" 1524		PX-XP	PXX-XXP	PX-XP	PXX-XXP	PXXX-XXXXP	PXXXX-XXXXXP	PX-XP	PXX-XXP
	87 3/16" 2214	86 11/16" 2201	84" 2134				PX-XP	PXX-XXP	PXXX-XXXXP	PXXXX-XXXXXP	PX-XP	PXX-XXP
	99 1/8" 2518	98 5/8" 2505	96" 2438				PX-XP	PXX-XXP	PXXX-XXXXP	PXXXX-XXXXXP	PX-XP	PXX-XXP
	111 1/8" 2823	110 5/8" 2810	108" 2743				PX-XP	PXX-XXP	PXXX-XXXXP	PXXXX-XXXXXP	PX-XP	PXX-XXP
	123 1/8" 3128	122 5/8" 3115	120" 3048				PX-XP	PXX-XXP	PXXX-XXXXP	PXXXX-XXXXXP	PX-XP	PXX-XXP

Height

- Minimum Panel Dimensions - 2' x 3'
- Maximum Panel Dimensions - 6' x 10'
- Maximum System Width - 34'

Note:

- O = Fixed
- X = Operating
- P = Pocketing
- The preparation of the rough opening for large openings such as those required by, but not limited to, LiftSlide, Bifold and MultiSlide doors have unique requirements. Structural headers that allow for deflection no greater than 1/8" along the unsupported length once the header is fully loaded are required. Special care needs to be taken when installing any unit including transoms above such large opening units.
- Loewen is not responsible for site measurements or the determination of structural and architectural requirements for the installation of large opening products such as but not limited to, LiftSlide, Bifold and MultiSlide doors. Site specifications are the responsibility of building professionals or engineers to determine.

Multislide Wide Stile - Bi-Parting With Pocket

		Width										
Height	R.O	Rough Opening	103 5/16 [2624]	142 9/16 [3621]	151 5/16 [3843]	214 9/16 [5450]	277 13/16 [7057]	341 1/16 [8664]	404 5/16 [10270]	295 5/16 [7501]	409 [10389]	
		System	102 5/16 [2599]	141 9/16 [3596]	150 5/16 [3818]	213 9/16 [5425]	276 13/16 [7032]	340 1/16 [8638]	403 5/16 [10244]	294 5/16 [7476]	408 [10363]	
		Framed Rough Opening	53 5/16 [1354]	92 9/16 [2351]	77 5/16 [1964]	140 9/16 [3571]	203 13/16 [5177]	267 1/16 [6784]	330 5/16 [8391]	149 5/16 [3793]	270 3/16 [6863]	
		Panel	24 [610]	24 [610]	36 [914]	36 [914]	36 [914]	36 [914]	36 [914]	72 [1829]	68 3/8 [1738]	
		Pocket	4 15/16 [125]	7 [178]	4 15/16 [125]	7 [178]	10 [254]	13 [330]	13 [330]	4 15/16 [125]	7 [178]	
		Jamb	4 3/8 [111]	7 3/8 [187]	4 3/8 [111]	7 3/8 [188]	10 3/8 [264]	13 3/8 [340]	16 3/8 [416]	4 3/8 [111]	7 3/8 [187]	
		39 1/8 [994]	38 5/8 [981]	36 [914]	PX:XP	PXX:XXP	PX:XP	PXX:XXP	PXXX:XXXP	PXXXX:XXXXP	PX:XP	PXX:XXP
		63 1/8 [1604]	62 5/8 [1591]	60 [1524]	PX:XP	PXX:XXP	PX:XP	PXX:XXP	PXXX:XXXP	PXXXX:XXXXP	PX:XP	PXX:XXP
		87 3/16 [2214]	86 11/16 [2201]	84 [2134]	/	/	PX:XP	PXX:XXP	PXXX:XXXP	PXXXX:XXXXP	PX:XP	PXX:XXP
		99 1/8 [2518]	98 5/8 [2505]	96 [2438]	/	/	PX:XP	PXX:XXP	PXXX:XXXP	PXXXX:XXXXP	PX:XP	PXX:XXP
		111 1/8 [2823]	110 5/8 [2810]	108 [2743]	/	/	PX:XP	PXX:XXP	PXXX:XXXP	PXXXX:XXXXP	PX:XP	PXX:XXP
		123 1/8 [3128]	122 5/8 [3115]	120 [3048]	/	/	PX:XP	PXX:XXP	PXXX:XXXP	PXXXX:XXXXP	PX:XP	PXX:XXP

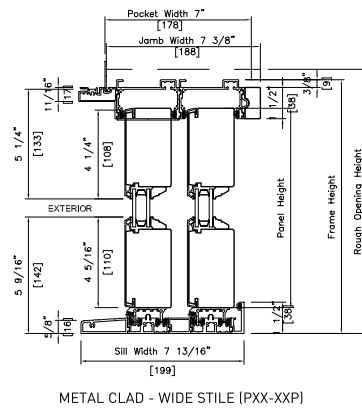
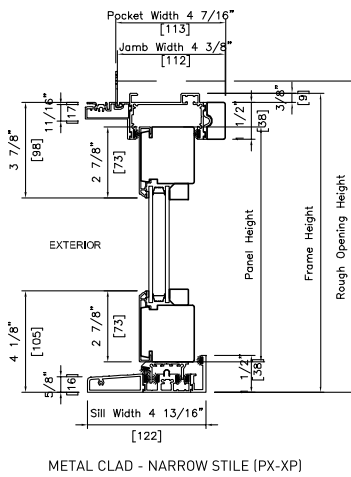
- Minimum Panel Dimensions - 2' x 3'
- Maximum Panel Dimensions - 6' x 10'
- Maximum System Width - 34'

Note:

- O = Fixed
- X = Operating
- P = Pocketing
- The preparation of the rough opening for large openings such as those required by, but not limited to, LiftSlide, Bifold and MultiSlide doors have unique requirements. Structural headers that allow for deflection no greater than 1/8" along the unsupported length once the header is fully loaded are required. Special care needs to be taken when installing any unit including transoms above such large opening units.
- Loewen is not responsible for site measurements or the determination of structural and architectural requirements for the installation of large opening products such as but not limited to, LiftSlide, Bifold and MultiSlide doors. Site specifications are the responsibility of building professionals or engineers to determine.

Multislide Bi-Parting Door Detail

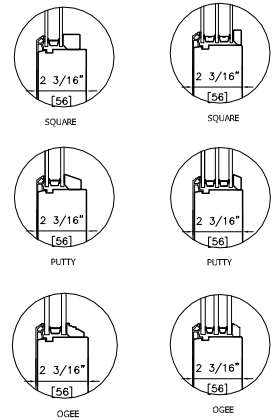
Head & Sill Detail



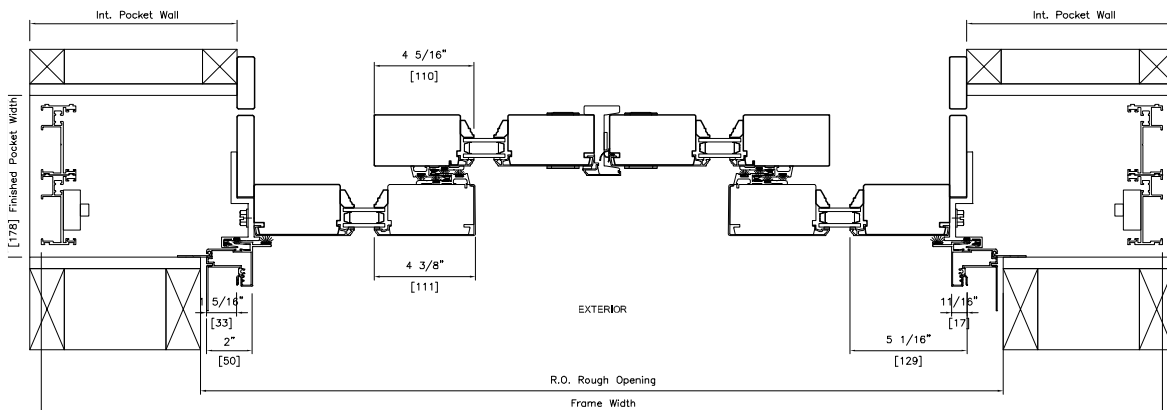
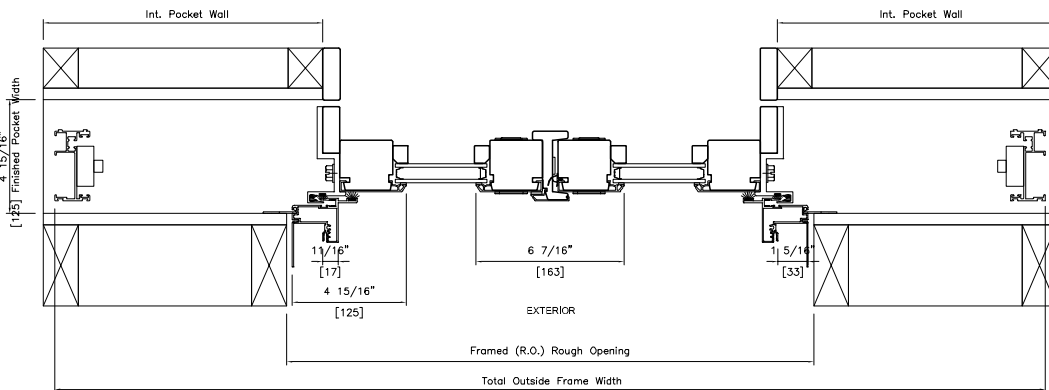
Glazing Stop Options

Double

Triple



Plan View



- Note:**
- Drawings shown are typical details.
 - Additional sizes and configurations available.
 - Screen options may be available depending on size and configuration.
 - All dimensions to have +/- 1/16" (2 mm) tolerance.
 - O = Fixed
 - X = Operating
 - P = Pocketing

- The preparation of the rough opening for large openings such as those required by, but not limited to, LiftSlide, Bifold and MultiSlide doors have unique requirements. Structural headers that allow for deflection no greater than 1/8" along the unsupported length once the header is fully loaded are required. Special care needs to be taken when installing any unit including transoms above such large opening units.
- Loewen is not responsible for site measurements or the determination of structural and architectural requirements for the installation of large opening products such as but not limited to, LiftSlide, Bifold and MultiSlide doors. Site specifications are the responsibility of building professionals or engineers to determine.

