



MULTISLIDE DOORS

Technical Guide M

LOEWEN MULTISLIDE

MultiSlide doors provide large dramatic openings for the transition from indoor and outdoor living spaces. With an easy, smooth and quiet operation, using stainless steel tracks, MultiSlide interlocking sliding panels provides secure and weatherproof options in large openings. A large selection of custom configurations and design options are available, including bi-parting and hidden pocketing.

Loewen narrow stile and rail panels provide a contemporary look with a narrow stile 2 7/8" face width. This width is narrower than many sliding door programs while still incorporating an available flush handle and multipoint locking mechanism. Also available in the wide 4 5/16" stile. The panel construction, using authentic Loewen door components, results in a cohesive aesthetic with other Loewen product lines.

Our unique 2 1/4" thick panel adds superior thermal performance, as well as strength and durability. The high structural integrity and raised threshold options allow MultiSlide doors to be located in areas of moderate to high exposure where homeowners want a broad view with no visual interference – mountain, hillside or lake-front vistas. Multi track thermally broken frame and sill is available in raised sill with no riser, 1 1/8" riser and 1 1/2" riser for best performance.

Doors can be clad in a variety of colors from the extensive Loewen palette, and are available in Douglas Fir or in Mahogany interiors.



FEATURES & SPECIFICATIONS

Standard Features

Standard panel heights up to 10 feet.

Standard panel widths up to 6 feet; custom sizes available up to 34' system width.

Natural Douglas Fir interior (no visible finger joints).

LowE insulated tempered glazing.

2 1/4" (58 mm) thick sliding panels.

Extruded aluminum cladding in all palette colors including anodized.

Standard bronze anodized sill with built in drainage system.

Metal clad jamb fillers and frame cladding match clad door panels.

Hardware

Multipoint locking door handles are available in a variety of styles and finishes, see section A. The locking hardware is also available in several optional finishes. Stainless steel roller assemblies are optional.

Glazing

LowE Double, LowE Triple, Tranquility® and StormForce™. StormForce is not available on all products. Double or triple glass configurations with 1/2" (13 mm) airspace. With countless glazing configurations and LowE coating options, we ensure that you can choose the perfect blend of protection and comfort. LowE best describes the benefits of the product that incorporates glazing coatings and Argon gas. LowE systems help reduce heating and cooling costs, providing superior energy efficiency.

Simulated Divided Lites (SDL)

Standard SDL complete with airspace grilles, where available. Grille bars are permanently applied to the interior and exterior.

Ogee Profile – 3/4" (19 mm), 1 1/8" (30 mm), 2" (51 mm)

Putty Profile – 5/8" (16 mm), 7/8" (22 mm), 1 1/8" (30 mm), 2" (51 mm)

Square Profile (interior only) – 5/8" (16mm), 3/4" (19 mm), 7/8" (22 mm), 1 1/8" (30 mm), 2" (51 mm)

Metal Cladding

Heavy duty exterior metal cladding comprised of extruded aluminum is available in a variety of Palette colors, including anodized and Cyprium (copper and bronze cladding). Metal clad units are supplied knock-down ready-to-install complete with integral metal nailing flange.

Wood

In addition to our standard Coastal Douglas Fir, the entire Loewen product line is also available in optional Mahogany. The interior can be natural wood (unfinished), primed, or prefinished in Jet Black or Oxford White paint. Additional wood species, as well as the Jet Black and Oxford White prefinishes, are available through our Custom Shop. All door panels are constructed with a laminated engineered core of Douglas Fir. Alternate species are a thick skin applied over the engineered Douglas Fir core. All wood parts are dipped in approved preservative.

FEATURES & SPECIFICATIONS

Performance Standards

Most units have been tested by an independent laboratory for air and water infiltration, structural performance, and thermal performance requirements.

Panel

Manufactured from Coastal Douglas Fir kiln-dried lumber. The entire Loewen product line is also available in optional Mahogany. Opening panel is equipped with two sets of adjustable ball bearing tandem rollers. Sash is 2 1/4" (58 mm) thick for extra strength and durability.

Sill Track

Bronze Anodized extruded aluminum sill with stainless steel cap over operating track for ease of operation and long-lasting performance. An internal weep system with drainage holes drains water to the exterior. Multi track thermally broken frame and sill is available in raised sill with no riser, 1 1/8" riser and 1 1/2" riser.

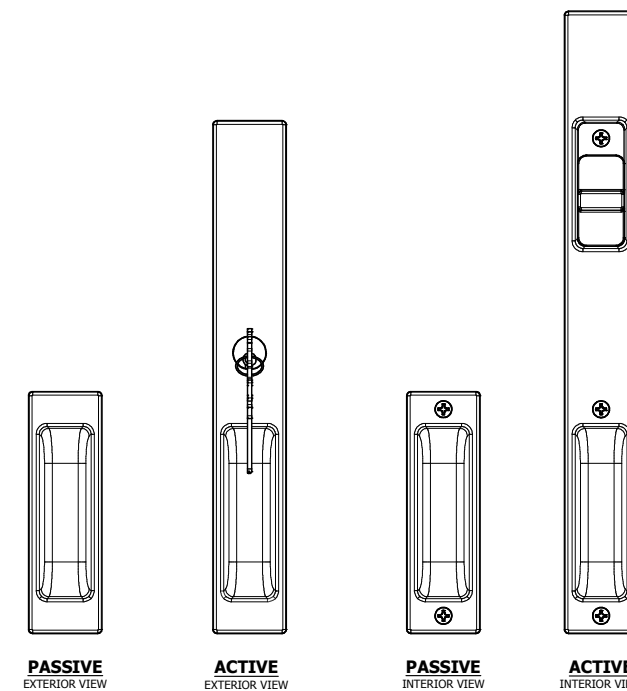
Sample Configurations

Stacking	Pocketed
OXX	PXX
OXXX	PXXX
OXXXX	PXXXX
OXXXXXX	PXXXXXXX
OX - X0	PXX - XXP
OXX - XX0	PXXX - XXXP
OXXX - XXX0	PXXXX - XXXXP

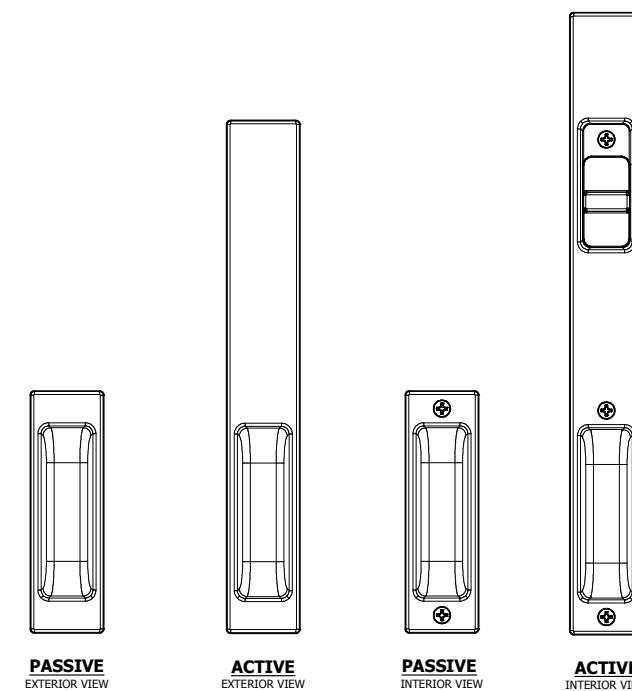
X = Operating 0=Fixed P=Pocket

FEATURES & SPECIFICATIONS

KEYED OPTION 1



NON KEYED OPTION 2



Flush handle



Exterior pull



Multipoint handle system

Multislide Narrow Stile Stacking

		Width														
Rough Opening	System															
	Panel															
	Jamb															
	R.O	48 1/2 [1232]	69 11/16 [1770]	72 1/2 [1842]	105 11/16 [2684]	138 13/16 [3527]	172 [4369]	205 3/16 [6052]	238 5/16 [6052]	271 1/2 [6896]	144 1/2 [3671]	213 11/16 [5427]	282 13/16 [7184]	352 [8941]	409 [10389]	
		47 1/2 [1207]	68 11/16 [1744]	71 1/2 [1816]	104 11/16 [2659]	137 13/16 [3501]	171 [4344]	204 3/16 [5186]	236 5/16 [6028]	270 1/2 [6871]	143 1/2 [3645]	212 11/16 [5402]	281 13/16 [7159]	351 [8916]	408 [10363]	
		24 [610]	24 [610]	36 [914]	36 [914]	36 [914]	36 [914]	36 [914]	36 [914]	36 [914]	72 [1829]	72 [1829]	72 [1829]	72 [1829]	70 [1777]	
		7 3/8 [188]	10 3/8 [264]	7 3/8 [188]	10 3/8 [264]	13 3/8 [340]	16 3/8 [416]	19 3/8 [492]	22 3/8 [569]	25 3/8 [645]	7 3/8 [188]	10 3/8 [264]	13 3/8 [340]	16 3/8 [416]	19 3/8 [492]	
39 1/8 [994]	38 5/8 [981]	36 [914]		Ox	OxX	Ox	OxX	Oxxx	OxxxX	Oxxxx	OxxxxX	Oxxxxx	OxxxxxX	Oxxxxxx	OxxxxxxX	
63 1/8 [1604]	62 5/8 [1591]	60 [1524]		Ox	OxX	Ox	OxX	Oxxx	OxxxX	Oxxxx	OxxxxX	Oxxxxx	OxxxxxX	Oxxxxxx	OxxxxxxX	
87 3/16 [2214]	86 11/16 [2201]	84 [2134]				Ox	OxX	Oxxx	OxxxX	Oxxxx	OxxxxX	Oxxxxx	OxxxxxX	Oxxxxxx	OxxxxxxX	
99 1/8 [2518]	98 5/8 [2505]	96 [2438]				Ox	OxX	Oxxx	OxxxX	Oxxxx	OxxxxX	Oxxxxx	OxxxxxX	Oxxxxxx	OxxxxxxX	
111 1/8 [2823]	110 5/8 [2810]	108 [2743]				Ox	OxX	Oxxx	OxxxX	Oxxxx	OxxxxX	Oxxxxx	OxxxxxX	Oxxxxxx	OxxxxxxX	
123 1/8 [3128]	122 5/8 [3115]	120 [3048]				Ox	OxX	Oxxx	OxxxX	Oxxxx	OxxxxX	Oxxxxx	OxxxxxX	Oxxxxxx	OxxxxxxX	

- Minimum Panel Dimensions - 2' x 3'
- Maximum Panel Dimensions - 6' x 10'
- Maximum System Width - 34'

Note:

- O = Fixed
- X = Operating
- P = Pocketing
- The preparation of the rough opening for large openings such as those required by, but not limited to, LiftSlide, Bifold and MultiSlide doors have unique requirements. Structural headers that allow for deflection no greater than 1/8" along the unsupported length once the header is fully loaded are required. Special care needs to be taken when installing any unit including transoms above such large opening units.
- Loewen is not responsible for site measurements or the determination of structural and architectural requirements for the installation of large opening products such as but not limited to, LiftSlide, Bifold and MultiSlide doors. Site specifications are the responsibility of building professionals or engineers to determine.

Multislide Wide Stile Stacking

		Width														
Rough Opening	System															
	Panel															
	Jamb															
	R.O	47 [1193]	66 5/8 [1692]	71 [1803]	102 5/8 [2606]	134 1/4 [3410]	165 7/8 [4213]	197 1/2 [5016]	229 1/8 [5820]	260 3/4 [6623]	143 [3632]	210 5/8 [5349]	278 1/4 [7067]	345 7/8 [8785]	409 [10389]	
		46 [1168]	65 5/8 [1666]	70 [1777]	101 5/8 [2581]	133 1/4 [3384]	164 7/8 [4188]	196 1/2 [4991]	228 1/8 [5794]	259 3/4 [6598]	142 [3606]	209 5/8 [5324]	277 1/4 [7042]	344 7/8 [8760]	408 [10363]	
		24 [610]	24 [610]	36 [914]	36 [914]	36 [914]	36 [914]	36 [914]	36 [914]	36 [914]	72 [1829]	72 [1829]	72 [1829]	72 [1829]	61 11/16 [1567]	
		7 3/8 [188]	10 3/8 [264]	7 3/8 [188]	10 3/8 [264]	13 3/8 [340]	16 3/8 [416]	19 3/8 [492]	22 3/8 [569]	25 3/8 [645]	7 3/8 [188]	10 3/8 [264]	13 3/8 [340]	16 3/8 [416]	19 3/8 [492]	
39 1/8 [994]	38 5/8 [981]	36 [914]		Ox	OxX	Ox	OxX	Oxxx	OxxxX	Oxxxx	OxxxxX	Oxxxxx	OxxxxxX	Oxxxxxx	OxxxxxxX	
63 1/8 [1604]	62 5/8 [1591]	60 [1524]		Ox	OxX	Ox	OxX	Oxxx	OxxxX	Oxxxx	OxxxxX	Oxxxxx	OxxxxxX	Oxxxxxx	OxxxxxxX	
87 3/16 [2214]	86 11/16 [2201]	84 [2134]				Ox	OxX	Oxxx	OxxxX	Oxxxx	OxxxxX	Oxxxxx	OxxxxxX	Oxxxxxx	OxxxxxxX	
99 1/8 [2518]	98 5/8 [2505]	96 [2438]				Ox	OxX	Oxxx	OxxxX	Oxxxx	OxxxxX	Oxxxxx	OxxxxxX	Oxxxxxx	OxxxxxxX	
111 1/8 [2823]	110 5/8 [2810]	108 [2743]				Ox	OxX	Oxxx	OxxxX	Oxxxx	OxxxxX	Oxxxxx	OxxxxxX	Oxxxxxx	OxxxxxxX	
123 1/8 [3128]	122 5/8 [3115]	120 [3048]				Ox	OxX	Oxxx	OxxxX	Oxxxx	OxxxxX	Oxxxxx	OxxxxxX	Oxxxxxx	OxxxxxxX	

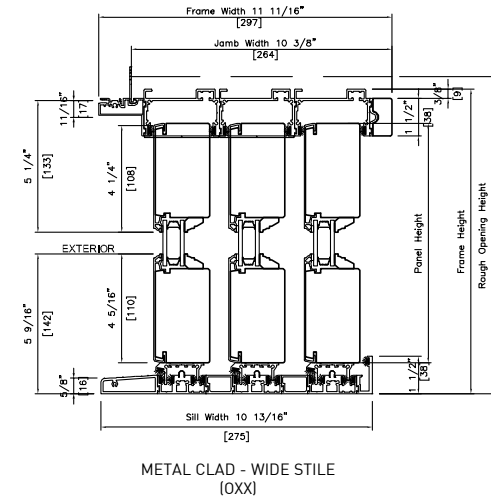
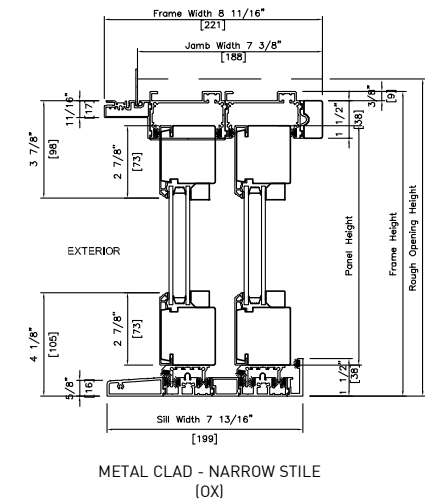
- Minimum Panel Dimensions - 2' x 3'
- Maximum Panel Dimensions - 6' x 10'
- Maximum System Width - 34'

Note:

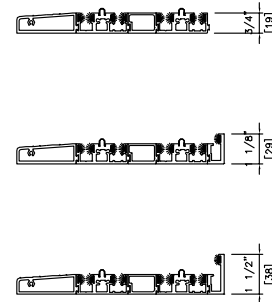
- O = Fixed
- X = Operating
- P = Pocketing
- The preparation of the rough opening for large openings such as those required by, but not limited to, LiftSlide, Bifold and MultiSlide doors have unique requirements. Structural headers that allow for deflection no greater than 1/8" along the unsupported length once the header is fully loaded are required. Special care needs to be taken when installing any unit including transoms above such large opening units.
- Loewen is not responsible for site measurements or the determination of structural and architectural requirements for the installation of large opening products such as but not limited to, LiftSlide, Bifold and MultiSlide doors. Site specifications are the responsibility of building professionals or engineers to determine.

Multislide Stacking Door Detail

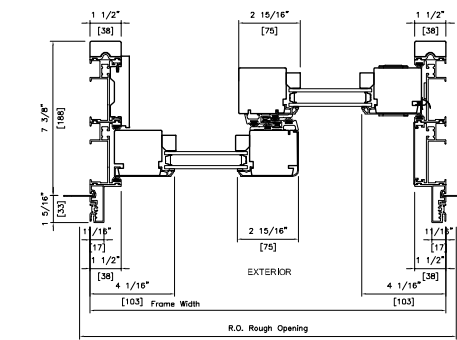
Head & Sill Detail



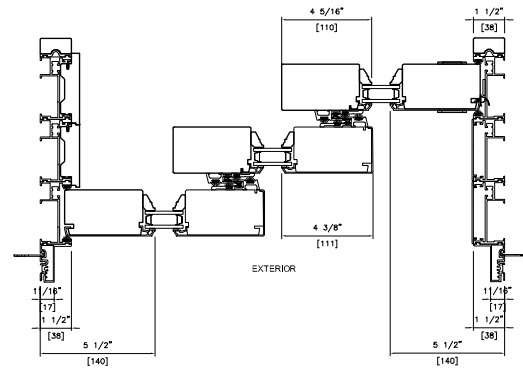
Optional Risers



Plan View



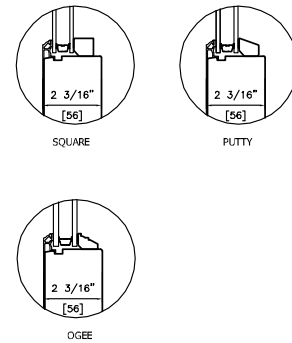
METAL CLAD - NARROW STILE (OX)



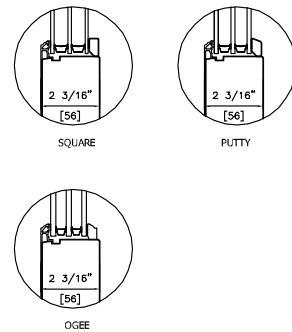
METAL CLAD - WIDE STILE (OXX)

Glazing Stop Profiles

Double



Triple



Multislide Narrow Stile - Stacking With Pocket

		Width																				
		53	74	77	110	143	176	209 5/8	242 13/16	276	309 1/8	149	218 3/16	287 5/16	320 1/2	409						
		[1346]	[1884]	[1956]	[2798]	[3640]	[4483]	[5325]	[6168]	[7010]	[7852]	[3784]	[5541]	[7298]	[8140]	[10389]						
R.O	System	52	73	76	109	142	175	208 5/8	241 13/16	275	308 1/8	148	217 3/16	286 5/16	319 1/2	408						
	Framed Rough Opening	28	49	40	73	106	139	172	205 13/16	239	272 1/8	76	145 3/16	214 5/16	247 1/2	338						
	Panel	24	24	36	36	36	36	36	36	36	36	36	36	36	36	36						
	Pocket	4	7	4	7	10	13	16	19	22	25	4	7	10	13	16						
Jamb	4 3/8	7 3/8	4 3/8	7 3/8	10 3/8	13 3/8	16 3/8	19 3/8	22 3/8	25 3/8	4 3/8	7 3/8	10 3/8	13 3/8	16 3/8							
39 1/8	38 5/8	36	PX	PXX	PX	PXX	PXXX	PXXXX	PXXXXX	PXXXXXX	PX	PXX	PXXX	PXXXX	PXXXXX	PX	PXX	PXXX	PXXXX	PXXXXX		
63 1/8	62 5/8	60	PX	PXX	PX	OXX	PXXX	PXXXX	PXXXXX	PXXXXXX	PX	PXX	PXXX	PXXXX	PXXXXX	PX	PXX	PXXX	PXXXX	PXXXXX		
87 3/16	86 11/16	84			PX	OXX	PXXX	PXXXX	PXXXXX	PXXXXXX	PX	PXX	PXXX	PXXXX	PXXXXX			PX	OXX	PXXX	PXXXX	PXXXXX
99 1/8	98 5/8	96			PX	OXX	PXXX	PXXXX	PXXXXX	PXXXXXX	PX	PXX	PXXX	PXXXX	PXXXXX			PX	OXX	PXXX	PXXXX	PXXXXX
111 1/8	110 5/8	108			PX	OXX	PXXX	PXXXX	PXXXXX	PXXXXXX	PX	PXX	PXXX	PXXXX	PXXXXX			PX	OXX	PXXX	PXXXX	PXXXXX
123 1/8	122 5/8	120			PX	OXX	PXXX	PXXXX	PXXXXX	PXXXXXX	PX	PXX	PXXX	PXXXX	PXXXXX			PX	OXX	PXXX	PXXXX	PXXXXX

- Minimum Panel Dimensions - 2' x 3'
- Maximum Panel Dimensions - 6' x 10'
- Maximum System Width - 34'

- Note:
- Drawings shown are typical details.
 - Additional sizes and configurations available.
 - Screen options may be available depending on size and configuration.
 - All dimensions to have +/- 1/16" (2 mm) tolerance.
 - O = Fixed
 - X = Operating
 - P = Pocketing

- The preparation of the rough opening for large openings such as those required by, but not limited to, LiftSlide, Bifold and MultiSlide doors have unique requirements. Structural headers that allow for deflection no greater than 1/8" along the unsupported length once the header is fully loaded are required. Special care needs to be taken when installing any unit including transoms above such large opening units.
- Loewen is not responsible for site measurements or the determination of structural and architectural requirements for the installation of large opening products such as but not limited to, LiftSlide, Bifold and MultiSlide doors. Site specifications are the responsibility of building professionals or engineers to determine.

- Note:
- O = Fixed
 - X = Operating
 - P = Pocketing
 - The preparation of the rough opening for large openings such as those required by, but not limited to, LiftSlide, Bifold and MultiSlide doors have unique requirements. Structural headers that allow for deflection no greater than 1/8" along the unsupported length once the header is fully loaded are required. Special care needs to be taken when installing any unit including transoms above such large opening units.
 - Loewen is not responsible for site measurements or the determination of structural and architectural requirements for the installation of large opening products such as but not limited to, LiftSlide, Bifold and MultiSlide doors. Site specifications are the responsibility of building professionals or engineers to determine.

Multislide Stacking Door Detail

Width

R.O.	Rough Opening	53 [1346]	72 5/8 [1845]	77 [1956]	108 5/8 [2759]	140 1/4 [352]	171 7/8 [4366]	203 1/2 [5169]	235 1/8 [5973]	266 3/4 [6776]	298 3/8 [7579]	149 [3784]	216 5/8 [5502]	284 1/4 [7220]	351 7/8 [8938]	409 [10389]	
	System	52 [1321]	71 5/8 [1819]	76 [1930]	107 5/8 [2734]	139 1/4 [3537]	170 7/8 [4340]	202 1/2 [5144]	234 1/8 [5947]	265 3/4 [6751]	297 3/8 [7554]	148 [3759]	215 5/8 [5477]	283 1/4 [7195]	350 7/8 [8912]	408 [10663]	
	Framed Rough Opening	28 [711]	47 5/8 [1210]	40 [1016]	71 5/8 [1819]	103 1/4 [2623]	134 7/8 [3426]	166 1/2 [4229]	198 1/8 [5033]	229 3/4 [5836]	261 3/8 [6640]	76 [1930]	143 5/8 [3648]	211 1/4 [5366]	278 7/8 [7084]	337 3/4 [8579]	
	Panel	24 [610]	24 [610]	36 [914]	36 [914]	36 [914]	36 [914]	36 [914]	36 [914]	36 [914]	36 [914]	36 [914]	72 [1829]	72 [1829]	72 [1829]	72 [1829]	70 1/4 [1784]
	Pocket	4 15/16 [125]	7 [178]	4 15/16 [125]	7 [178]	10 [254]	13 [330]	16 [406]	19 [483]	22 [559]	25 [635]	4 15/16 [125]	7 [178]	10 [254]	13 [330]	16 [406]	
	Jamb	4 3/8 [111]	7 3/8 [187]	4 3/8 [111]	7 3/8 [188]	10 3/8 [264]	13 3/8 [340]	16 3/8 [416]	19 3/8 [492]	22 3/8 [569]	25 3/8 [645]	4 3/8 [111]	7 3/8 [187]	10 3/8 [264]	13 3/8 [340]	16 3/8 [416]	
	39 1/8 [994]	38 5/8 [981]	36 [914]	PX XP	PXX XXP	PX XP	PXX XXP	PXX XXP	PXXX XXXXP	PXXX XXXXP	PXXXX XXXXXP	PXXXX XXXXXP	PXXXX XXXXXP	PXXXX XXXXXP	PXXXX XXXXXP	PXXXX XXXXXP	
	63 1/8 [1604]	62 5/8 [1591]	60 [1524]	PX XP	PXX XXP	PX XP	OXX XXO	PXXX XXXXP	PXXX XXXXP	PXXXX XXXXXP	PXXXX XXXXXP	PXXXX XXXXXP	PXXXX XXXXXP	PXXXX XXXXXP	PXXXX XXXXXP	PXXXX XXXXXP	
	87 3/16 [2214]	86 11/16 [2201]	84 [2134]			PX XP	OXX XXO	PXXX XXXXP	PXXX XXXXP	PXXXX XXXXXP	PXXXX XXXXXP	PXXXX XXXXXP	PXXXX XXXXXP	PXXXX XXXXXP	PXXXX XXXXXP	PXXXX XXXXXP	
	99 1/8 [2518]	98 5/8 [2505]	96 [2438]			PX XP	OXX XXO	PXXX XXXXP	PXXX XXXXP	PXXXX XXXXXP	PXXXX XXXXXP	PXXXX XXXXXP	PXXXX XXXXXP	PXXXX XXXXXP	PXXXX XXXXXP	PXXXX XXXXXP	
	111 1/8 [2823]	110 5/8 [2810]	108 [2743]			PX XP	OXX XXO	PXXX XXXXP	PXXX XXXXP	PXXXX XXXXXP	PXXXX XXXXXP	PXXXX XXXXXP	PXXXX XXXXXP	PXXXX XXXXXP	PXXXX XXXXXP	PXXXX XXXXXP	
	123 1/8 [3128]	122 5/8 [3115]	120 [3048]			PX XP	OXX XXO	PXXX XXXXP	PXXX XXXXP	PXXXX XXXXXP	PXXXX XXXXXP	PXXXX XXXXXP	PXXXX XXXXXP	PXXXX XXXXXP	PXXXX XXXXXP	PXXXX XXXXXP	

Height

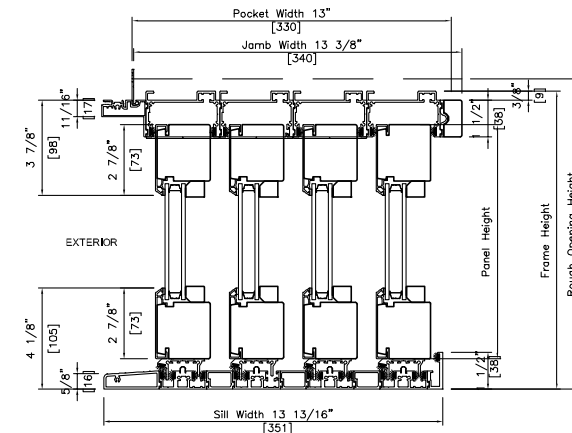
- Minimum Panel Dimensions - 2' x 3'
- Maximum Panel Dimensions - 6' x 10'
- Maximum System Width - 34'

Note:

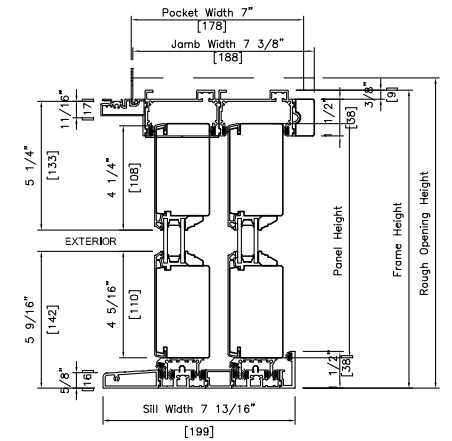
- O = Fixed
- X = Operating
- P = Pocketing
- The preparation of the rough opening for large openings such as those required by, but not limited to, LiftSlide, Bifold and MultiSlide doors have unique requirements. Structural headers that allow for deflection no greater than 1/8" along the unsupported length once the header is fully loaded are required. Special care needs to be taken when installing any unit including transoms above such large opening units.
- Loewen is not responsible for site measurements or the determination of structural and architectural requirements for the installation of large opening products such as but not limited to, LiftSlide, Bifold and MultiSlide doors. Site specifications are the responsibility of building professionals or engineers to determine.

Multislide Narrow Stile - Stacking With Pocket

Head & Sill Detail

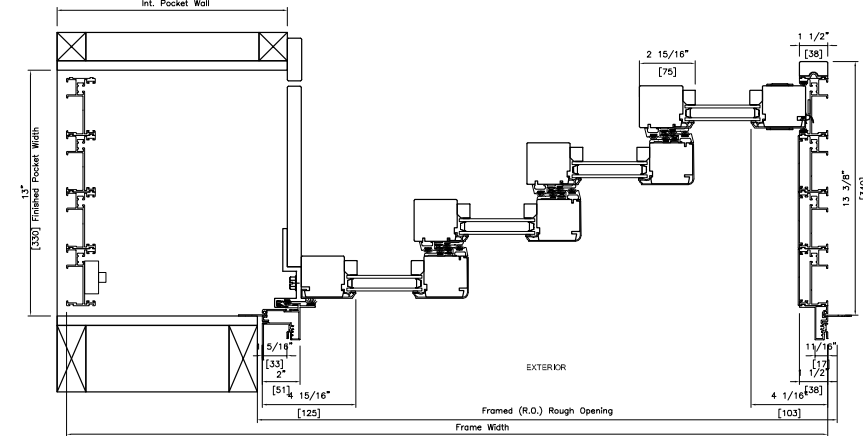


METAL CLAD - NARROW STILE (PXXXX)

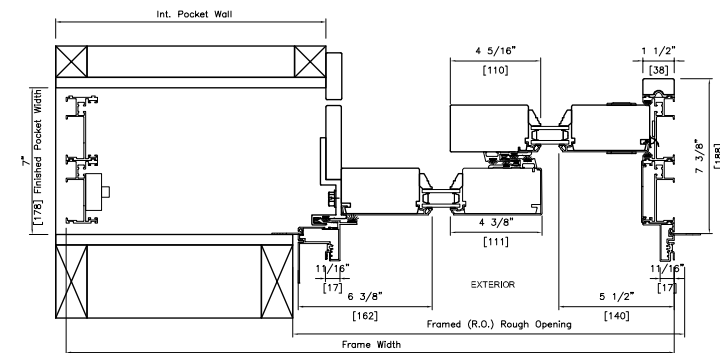


METAL CLAD - WIDE STILE (PX)

Plan View



METAL CLAD - NARROW STILE (PXXXX)



METAL CLAD - WIDE STILE (PX)

Note:

- Drawings shown are typical details.
- Additional sizes and configurations available.
- Screen options may be available depending on size and configuration.
- All dimensions to have +/- 1/16" (2 mm) tolerance.
- O = Fixed
- X = Operating
- P = Pocketing
- The preparation of the rough opening for large openings such as those required by, but not limited to, LiftSlide, Bifold and MultiSlide doors have unique requirements. Structural headers that allow for deflection no greater than 1/8" along the unsupported length once the header is fully loaded are required. Special care needs to be taken when installing any unit including transoms above such large opening units.
- Loewen is not responsible for site measurements or the determination of structural and architectural requirements for the installation of large opening products such as but not limited to, LiftSlide, Bifold and MultiSlide doors. Site specifications are the responsibility of building professionals or engineers to determine.

Multislide Narrow Stile - Bi-Parting

		Width										
Rough Opening												409 [10389]
	System											408 [10363]
	Panel											69 3/8 [1762]
	Jamb											10 3/8 [264]
R.O												
94 3/8 [2396]	136 11/16 [3472]	142 3/8 [3616]	208 11/16 [5300]	275 [6985]	341 5/16 [8670]	407 11/16 [10355]	286 3/8 [7273]					
93 3/8 [2371]	135 11/16 [3446]	141 3/8 [3590]	207 11/16 [5275]	274 [6960]	340 5/16 [8645]	406 11/16 [10330]	285 3/8 [7248]					
24 [610]	24 [610]	36 [914]	36 [914]	36 [914]	36 [914]	36 [914]	36 [914]					
7 3/8 [188]	10 3/8 [264]	7 3/8 [188]	10 3/8 [264]	13 3/8 [340]	16 3/8 [416]	19 3/8 [493]	7 3/8 [188]					
39 1/8 [994]	38 5/8 [981]	36 [914]	OxXO	OXXXXO	OxXO	OXXXXO	OXOX	OXOX	OXOX	OXOX	OXOX	OXOX
63 1/8 [1604]	62 5/8 [1591]	60 [1524]	OxXO	OXXXXO	OxXO	OXXXXO	OXOX	OXOX	OXOX	OXOX	OXOX	OXOX
87 3/16 [2214]	86 11/16 [2201]	84 [2134]			OxXO	OXXXXO	OXOX	OXOX	OXOX	OXOX	OXOX	OXOX
99 1/8 [2518]	98 5/8 [2505]	96 [2438]			OxXO	OXXXXO	OXOX	OXOX	OXOX	OXOX	OXOX	OXOX
111 1/8 [2823]	110 5/8 [2810]	108 [2743]			OxXO	OXXXXO	OXOX	OXOX	OXOX	OXOX	OXOX	OXOX
123 1/8 [3128]	122 5/8 [3115]	120 [3048]			OxXO	OXXXXO	OXOX	OXOX	OXOX	OXOX	OXOX	OXOX

Height

- Minimum Panel Dimensions - 2' x 3'
- Maximum Panel Dimensions - 6' x 10'
- Maximum System Width - 34'

Note:

- O = Fixed
- X = Operating
- P = Pocketing
- The preparation of the rough opening for large openings such as those required by, but not limited to, LiftSlide, Bifold and MultiSlide doors have unique requirements. Structural headers that allow for deflection no greater than 1/8" along the unsupported length once the header is fully loaded are required. Special care needs to be taken when installing any unit including transoms above such large opening units.
- Loewen is not responsible for site measurements or the determination of structural and architectural requirements for the installation of large opening products such as but not limited to, LiftSlide, Bifold and MultiSlide doors. Site specifications are the responsibility of building professionals or engineers to determine.

Multislide Wide Stile - Bi-Parting

		Width										
Rough Opening												409 [10389]
	System											408 [10363]
	Panel											70 7/16 [1788]
	Jamb											10 3/8 [264]
R.O												
91 1/4 [2318]	130 9/16 [3316]	139 1/4 [3538]	202 9/16 [5144]	264 13/16 [6751]	329 1/16 [8358]	392 5/16 [9965]	283 1/4 [7195]					
90 1/4 [2293]	129 9/16 [3290]	138 1/4 [3512]	201 9/16 [5119]	264 13/16 [6726]	328 1/16 [8333]	391 5/16 [9939]	282 1/4 [7170]					
24 [610]	24 [610]	36 [914]	36 [914]	36 [914]	36 [914]	36 [914]	72 [1829]					
7 3/8 [188]	10 3/8 [264]	7 3/8 [188]	10 3/8 [264]	13 3/8 [340]	16 3/8 [416]	19 3/8 [493]	7 3/8 [188]					
39 1/8 [994]	38 5/8 [981]	36 [914]	OxXO	OXXXXO	OxXO	OXXXXO	OXOX	OXOX	OXOX	OXOX	OXOX	OXOX
63 1/8 [1604]	62 5/8 [1591]	60 [1524]	OxXO	OXXXXO	OxXO	OXXXXO	OXOX	OXOX	OXOX	OXOX	OXOX	OXOX
87 3/16 [2214]	86 11/16 [2201]	84 [2134]			OxXO	OXXXXO	OXOX	OXOX	OXOX	OXOX	OXOX	OXOX
99 1/8 [2518]	98 5/8 [2505]	96 [2438]			OxXO	OXXXXO	OXOX	OXOX	OXOX	OXOX	OXOX	OXOX
111 1/8 [2823]	110 5/8 [2810]	108 [2743]			OxXO	OXXXXO	OXOX	OXOX	OXOX	OXOX	OXOX	OXOX
123 1/8 [3128]	122 5/8 [3115]	120 [3048]			OxXO	OXXXXO	OXOX	OXOX	OXOX	OXOX	OXOX	OXOX

Height

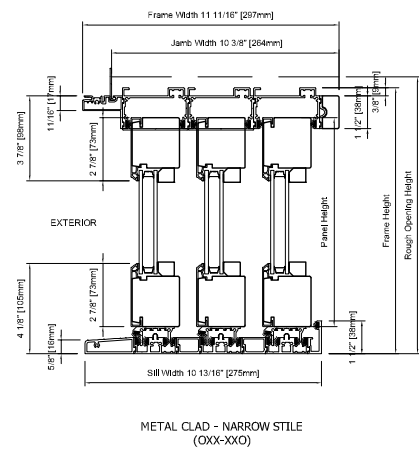
- Minimum Panel Dimensions - 2' x 3'
- Maximum Panel Dimensions - 6' x 10'
- Maximum System Width - 34'

Note:

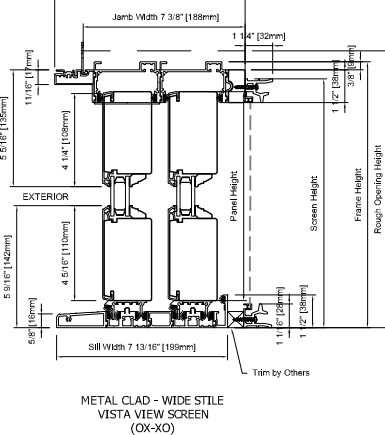
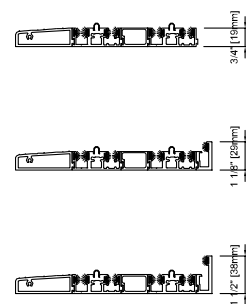
- O = Fixed
- X = Operating
- P = Pocketing
- The preparation of the rough opening for large openings such as those required by, but not limited to, LiftSlide, Bifold and MultiSlide doors have unique requirements. Structural headers that allow for deflection no greater than 1/8" along the unsupported length once the header is fully loaded are required. Special care needs to be taken when installing any unit including transoms above such large opening units.
- Loewen is not responsible for site measurements or the determination of structural and architectural requirements for the installation of large opening products such as but not limited to, LiftSlide, Bifold and MultiSlide doors. Site specifications are the responsibility of building professionals or engineers to determine.

Multislide Bi-Parting Door Detail

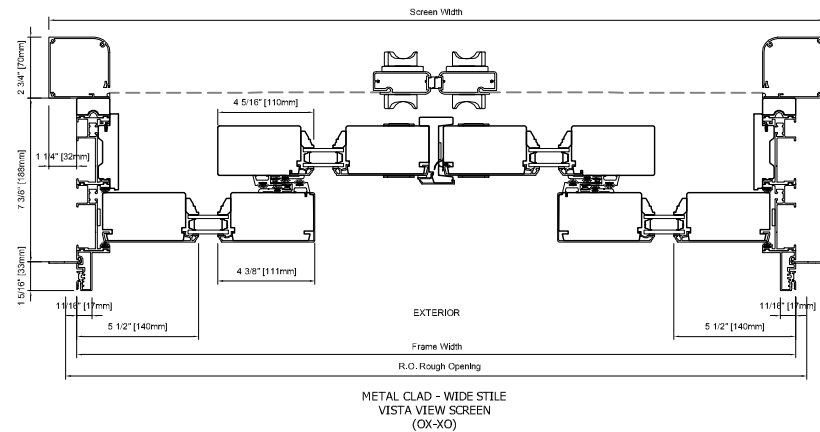
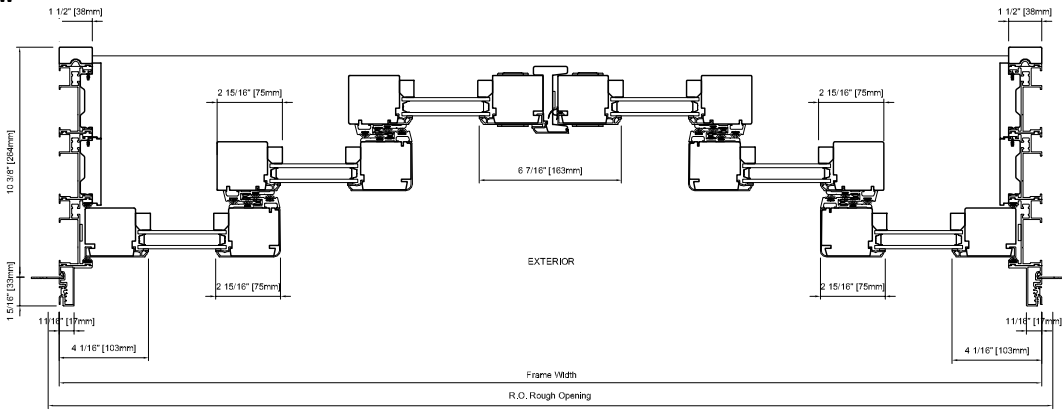
Head & Sill Detail



Optional Risers



Plan View



- Note:
- Drawings shown are typical details.
 - Additional sizes and configurations available.
 - Screen options may be available depending on size and configuration.
 - All dimensions to have +/- 1/16" (2 mm) tolerance.
 - O = Fixed
 - X = Operating
 - P = Pocketing

- The preparation of the rough opening for large openings such as those required by, but not limited to, LiftSlide, Bifold and MultiSlide doors have unique requirements. Structural headers that allow for deflection no greater than 1/8" along the unsupported length once the header is fully loaded are required. Special care needs to be taken when installing any unit including transoms above such large opening units.
- Loewen is not responsible for site measurements or the determination of structural and architectural requirements for the installation of large opening products such as but not limited to, LiftSlide, Bifold and MultiSlide doors. Site specifications are the responsibility of building professionals or engineers to determine.

Multislide Narrow Stile - Bi-Parting With Pocket

Width

Rough Opening	Width										
	103 5/16" 2624	145 5/8" 3699	151 5/16" 3843	217 5/8" 5528	284" 7213	350 5/16" 8898	409" 10389	295 5/16" 7501	409" 10389		
R.O	System										
	Framed Rough Opening										
	Panel										
	Pocket										
	Jamb										
39 1/8" 994	38 5/8" 981	36" 914	PX:XP	PXX:XXP	PX:XP	PXX:XXP	PXXX:XXXP	PXXXX:XXXXP	PXXXXX:XXXXXP	PX:XP	PXX:XXP
63 1/8" 1604	62 5/8" 1591	60" 1524	PX:XP	PXX:XXP	PX:XP	PXX:XXP	PXXX:XXXP	PXXXX:XXXXP	PXXXXX:XXXXXP	PX:XP	PXX:XXP
87 3/16" 2214	86 11/16" 2201	84" 2134			PX:XP	PXX:XXP	PXXX:XXXP	PXXXX:XXXXP	PXXXXX:XXXXXP	PX:XP	PXX:XXP
99 1/8" 2518	98 5/8" 2505	96" 2438			PX:XP	PXX:XXP	PXXX:XXXP	PXXXX:XXXXP	PXXXXX:XXXXXP	PX:XP	PXX:XXP
111 1/8" 2823	110 5/8" 2810	108" 2743			PX:XP	PXX:XXP	PXXX:XXXP	PXXXX:XXXXP	PXXXXX:XXXXXP	PX:XP	PXX:XXP
123 1/8" 3128	122 5/8" 3115	120" 3048			PX:XP	PXX:XXP	PXXX:XXXP	PXXXX:XXXXP	PXXXXX:XXXXXP	PX:XP	PXX:XXP

- Minimum Panel Dimensions - 2' x 3'
- Maximum Panel Dimensions - 6' x 10'
- Maximum System Width - 34'

- Note:
- O = Fixed
 - X = Operating
 - P = Pocketing
 - The preparation of the rough opening for large openings such as those required by, but not limited to, LiftSlide, Bifold and MultiSlide doors have unique requirements. Structural headers that allow for deflection no greater than 1/8" along the unsupported length once the header is fully loaded are required. Special care needs to be taken when installing any unit including transoms above such large opening units.
 - Loewen is not responsible for site measurements or the determination of structural and architectural requirements for the installation of large opening products such as but not limited to, LiftSlide, Bifold and MultiSlide doors. Site specifications are the responsibility of building professionals or engineers to determine.

Multislide Wide Stile - Bi-Parting With Pocket

Width

R.O	Rough Opening	103 5/16 [2624]	142 9/16 [3621]	151 5/16 [3843]	214 9/16 [5450]	277 13/16 [7057]	341 1/16 [8664]	404 5/16 [10270]	295 5/16 [7501]	409 [10389]			
	System	102 5/16 [2599]	141 9/16 [3596]	150 5/16 [3818]	213 9/16 [5425]	276 13/16 [7032]	340 1/16 [8638]	403 5/16 [10244]	294 5/16 [7476]	408 [10363]			
	Framed Rough Opening	53 5/16 [1354]	92 9/16 [2351]	77 5/16 [1964]	140 9/16 [3571]	203 13/16 [5177]	267 1/16 [6784]	330 5/16 [8391]	149 5/16 [3793]	270 3/16 [6863]			
	Panel	24 [610]	24 [610]	36 [914]	36 [914]	36 [914]	36 [914]	36 [914]	72 [1829]	68 3/8 [1738]			
	Pocket	4 15/16 [125]	7 [178]	4 15/16 [125]	7 [178]	10 [254]	13 [330]	13 [330]	4 15/16 [125]	7 [178]			
	Jamb	4 3/8 [111]	7 3/8 [187]	4 3/8 [111]	7 3/8 [188]	10 3/8 [264]	13 3/8 [340]	16 3/8 [416]	4 3/8 [111]	7 3/8 [187]			
	39 1/8 [994]	38 5/8 [981]	36 [914]		PX-XP	PXX-XXP	PX-XP	PXX-XXP	PXXX-XXXXP	PXXXX-XXXXXP	PXXXXX-XXXXXP	PX-XP	PXX-XXP
	63 1/8 [1604]	62 5/8 [1591]	60 [1524]		PX-XP	PXX-XXP	PX-XP	PXX-XXP	PXXX-XXXXP	PXXXX-XXXXXP	PXXXXX-XXXXXP	PX-XP	PXX-XXP
	87 3/16 [2214]	86 11/16 [2201]	84 [2134]				PX-XP	PXX-XXP	PXXX-XXXXP	PXXXX-XXXXXP	PXXXXX-XXXXXP	PX-XP	PXX-XXP
	99 1/8 [2518]	98 5/8 [2505]	96 [2438]				PX-XP	PXX-XXP	PXXX-XXXXP	PXXXX-XXXXXP	PXXXXX-XXXXXP	PX-XP	PXX-XXP
	111 1/8 [2823]	110 5/8 [2810]	108 [2743]				PX-XP	PXX-XXP	PXXX-XXXXP	PXXXX-XXXXXP	PXXXXX-XXXXXP	PX-XP	PXX-XXP
	123 1/8 [3128]	122 5/8 [3115]	120 [3048]				PX-XP	PXX-XXP	PXXX-XXXXP	PXXXX-XXXXXP	PXXXXX-XXXXXP	PX-XP	PXX-XXP

Height

- Minimum Panel Dimensions - 2' x 3'
- Maximum Panel Dimensions - 6' x 10'
- Maximum System Width - 34'

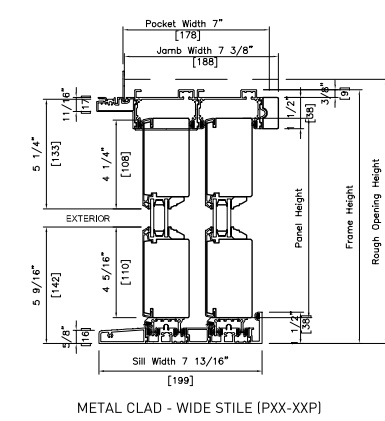
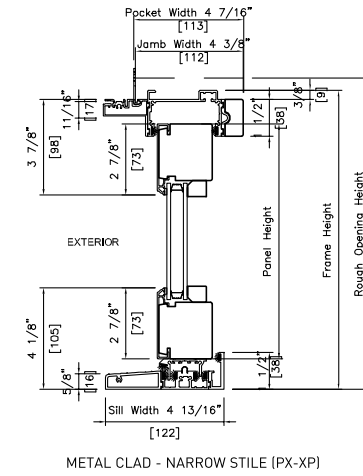
Note: • O = Fixed
• X = Operating
• P = Pocketing

• The preparation of the rough opening for large openings such as those required by, but not limited to, LiftSlide, Bifold and MultiSlide doors have unique requirements. Structural headers that allow for deflection no greater than 1/8" along the unsupported length once the header is fully loaded are required. Special care needs to be taken when installing any unit including transoms above such large opening units.

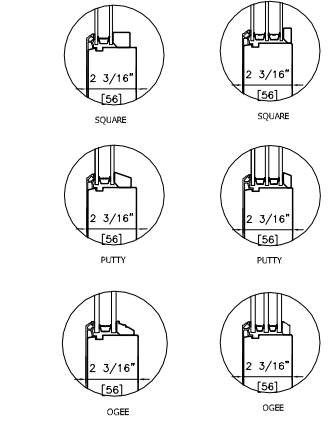
• Loewen is not responsible for site measurements or the determination of structural and architectural requirements for the installation of large opening products such as but not limited to, LiftSlide, Bifold and MultiSlide doors. Site specifications are the responsibility of building professionals or engineers to determine.

Multislide Bi-Parting Door Detail

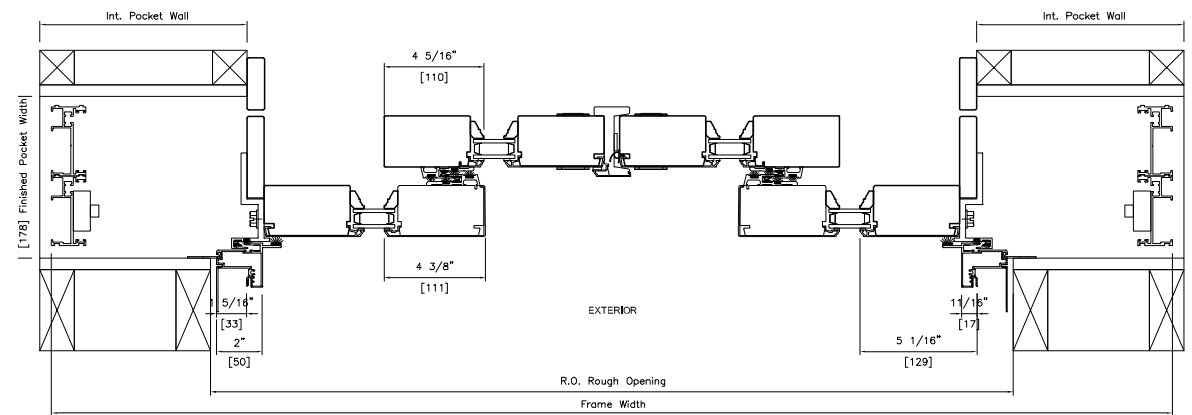
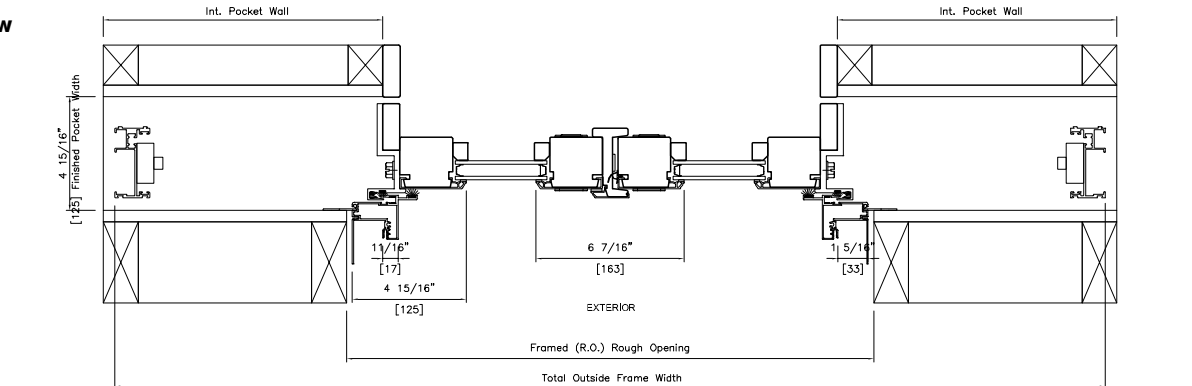
Head & Sill Detail



Glazing Stop Options



Plan View



Note: • Drawings shown are typical details.
• Additional sizes and configurations available.
• Screen options may be available depending on size and configuration.
• All dimensions to have +/- 1/16" (2 mm) tolerance.
• O = Fixed
• X = Operating
• P = Pocketing

• The preparation of the rough opening for large openings such as those required by, but not limited to, LiftSlide, Bifold and MultiSlide doors have unique requirements. Structural headers that allow for deflection no greater than 1/8" along the unsupported length once the header is fully loaded are required. Special care needs to be taken when installing any unit including transoms above such large opening units.

• Loewen is not responsible for site measurements or the determination of structural and architectural requirements for the installation of large opening products such as but not limited to, LiftSlide, Bifold and MultiSlide doors. Site specifications are the responsibility of building professionals or engineers to determine.

