



SWINGING TERRACE & FRENCH TERRACE DOORS

Technical Guide H

FEATURES & SPECIFICATIONS

Styles

Traditional, French, Cambertop, Quarter Round, Full Radius.

Standard Features

Natural Douglas Fir interior (no visible finger joints)

Full Jamb – 6 9/16 (166 mm) construction is an option

3 mm Low E insulated tempered glazing

Multi-point locking hardware, complete with solid brass core handle set, escutcheon and dead bolt

Extruded aluminum cladding in a variety of standard colors, primed wood or clear fir exterior

Flexible weatherstrip system

Hardware

Multiple hardware type and finish choices are available, see the hardware in section A for more information. Multipoint locking hardware – complete with brass handle set and escutcheon – and dead bolt are standard on all Terrace Doors. Optional keyed alike locks are available. Standard concealed bearing hinges in a variety of finishes are available. Note: French doors with handle activated shoot bolts on inactive panel.

Glazing

LowE Double, LowE Triple, and StormForce™. StormForce is not available on all products. Double or triple glass configurations with 1/2" (13 mm) airspace. With countless glazing configurations and LowE coating options, we ensure that you can choose the perfect blend of protection and comfort. LowE best describes the benefits of the product that incorporates glazing coatings and Argon gas. LowE systems help reduce heating and cooling costs, providing superior energy efficiency.

Simulated Divided Lites (SDL)

Standard SDL complete with airspace grilles, where available. Grille bars are permanently applied to the interior and exterior.

Ogee Profile – 3/4" (19 mm), 1 1/8" (30 mm), 2" (51 mm)

Putty Profile – 5/8" (16 mm), 7/8" (22 mm), 1 1/8" (30 mm), 2" (51 mm)

Square Profile (interior only) – 5/8" (16mm), 3/4" (19 mm), 7/8" (22 mm), 1 1/8" (30 mm), 2" (51 mm)

FEATURES & SPECIFICATIONS

Casing

Wood: 2" (51 mm) Brickmould, 3 1/2" (89 mm) Flat, 5 1/2" (139 mm) Flat, Adams and Williamsburg.

Metal Clad: 2" (51 mm) Brickmould, 3 1/2" (89 mm) Flat, 2" clad frame extension, Nose & Cove, Adams, Williamsburg and Kerf.

Metal Cladding

Heavy duty exterior metal cladding comprised of extruded aluminum is available in a variety of Palette colors, including anodized and Cyprium (copper and bronze cladding). Metal clad units are supplied ready-to-install complete with integral metal nailing flange.

Wood

In addition to our standard Coastal Douglas Fir, the entire Loewen product line is also available in optional Mahogany. The interior can be natural wood (unfinished), primed, or prefinished in Jet Black or Oxford White paint. Additional wood species, as well as the Jet Black and Oxford White prefinishes, are available through our Custom Shop. All door panels are constructed with a laminated engineered core of Douglas Fir. Alternate species are a thick skin applied over the engineered Douglas Fir core. All wood parts are dipped in approved preservative.

Performance Standards

Most units have been tested by an independent laboratory for air and water infiltration, structural performance, and thermal performance requirements.

Frame & Panel

Manufactured from Coastal Douglas Fir kiln-dried lumber with frame construction designed for 4 9/16" (116 mm) and 6 9/16" (166 mm) jamb. All wood exterior components are factory primed unless specified as clear exterior. Minor scratches or abrasions in the wood surface or primer are not considered defects.

Weatherstrip

High grade weatherstripping runs the full perimeter of the panel/frame interface and provides a tight seal to the exterior elements. Side and head jamb weatherstrip are comprised of a bulb and fin dual seal design.

Door Swings

Traditional Terrace Door: Hinged in the middle so that one panel is fixed, while the other opens/closes. These doors can be configured as a single door, or as a series of fixed, operating, left hinged or right hinged panels.

French Terrace Doors are hinged on the jambs to allow both doors to open/close from the middle.

Note: Outswinging versions of both door styles are available as options.



Terrace



French Terrace



Half Round Terrace
Available in wood exterior only.



Half Round French Terrace

Variables	Swinging Terrace	Swinging French Terrace
Function		
Use for Egress		●
Multi-point Hardware		○
Performance		
Low Maintenance		●
Metal Clad Exterior		●
Clear Douglas Fir Exterior Finish		○
Clear Mahogany Exterior Finish		○
Primed Exterior Finish		
Cyprium Collection		

Standard ● Optional ○

Variables	Swinging Terrace	Swinging French Terrace
Performance		
LowE Double		●
LowE Triple		○
StormForce™		○
Appearance		
SDL		○
Vertical Grain Fir Panel		

Loewen Narrow Stile Terrace Door

Features

- Narrower stiles and rails compared to standard Terrace Door panels
- Incorporates standard Terrace Door frame and sill
- Available as inswing, outswing, and fixed Terrace Doors
- Available for BiFold
- Metal Clad only in all current finishes with the exception of Cyprium
- Not available in shaped units, rectangle only



Sizes

Maximum sizes for a single Terrace Door (TD1) is a width of 36" (924mm) and a height of 106 5/16" (2700mm) or a width of 40 5/16" (1024mm) and a height of 94 1/2" (2400mm)

- Rough Opening and OSM remains the same as a standard Terrace Door, refer to TD1-0927 and TD1-1024 in the Loewen Technical Guide

Maximum sizes for a French Door (FD2) is a width of 72" (1829mm) and a height of 106 5/16" (2700mm) or a width of 79" (2029mm) and a height of 94 1/2" (2400mm)

- Rough Opening and OSM remains the same as a standard Terrace Door, refer to FD2-1827 and FD2-2024 in the Loewen Technical Guide



Options

- Optional 7" bottom rail to align with other Terrace Door / French Door units on the job
- Ogee, Putty, Square interior glazing stops are all available along with complementary SDL bars
- All current Terrace Door handle sets are available, including the new Dallas handle set



Out-Swing



In-Swing

Visit the Loewen Photo Gallery online at www.loewen.com for a large collection of Loewen product and elevation photography.

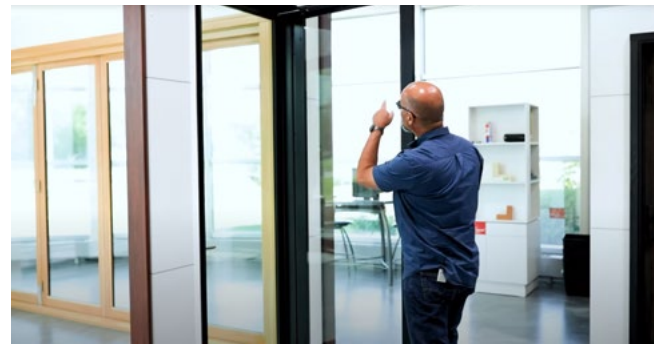
Numerous custom window configuration opportunities exist – please contact your Authorized Loewen Dealer.

Specifications and technical information are subject to change without notice. Imperial and metric measurements are converted accurately. However, in some cases, industry standards cause a 1 mm variance. (Example: 3/4" is shown as 19 mm for all glass measurements.) Cad Download: www.loewen.com/architect | Installation Instructions: www.loewen.com

Loewen Screen & Storm Doors to Compliment Swinging Doors

Our premium swinging screen door complements our line of Swinging Terrace and French Doors. The screen door can be ordered for clad and all wood doors and is also available as a retrofit into any existing Loewen door frame.

Loewen has taken the functional screen door and designed a robust and clean aesthetic to enhance swinging terrace door entryways.



This is a complete door offering available in all current Loewen clad colors in an AAMA 2605 specification and all anodized finishes to match our doors and frames. Hinge assemblies are also color matched.

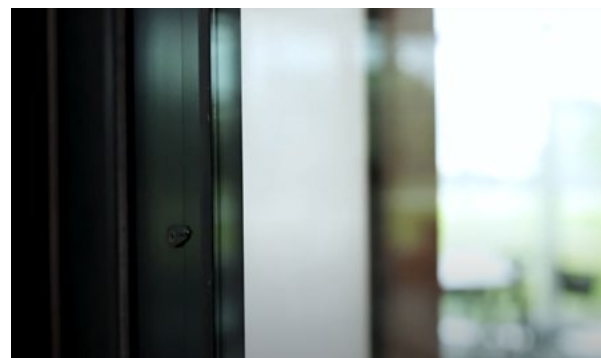
The removable standard screen panel is easily replaced with the optional storm panel for increased protection from the elements.

Large sizes are available – up to 3135 mm (123 7/16”) tall with screen only option. Narrow stile and rail dimensions of 2 7/8” allow for maximum openings. The strong construction allows the frame to be built without a bottom kick panel.

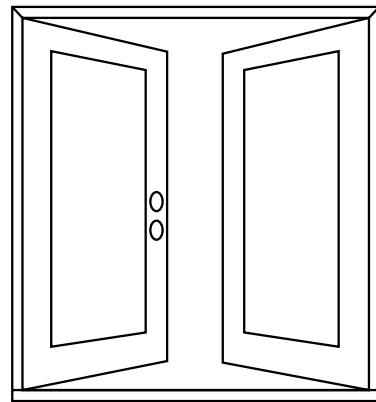
Loewen Screen & Storm doors can be ordered with any clad or non-clad Swinging Terrace Door. They are also available as a retro-fit for existing Loewen swinging doors.

The screen panel can be removed and replaced with a glass panel for better protection against adverse weather.

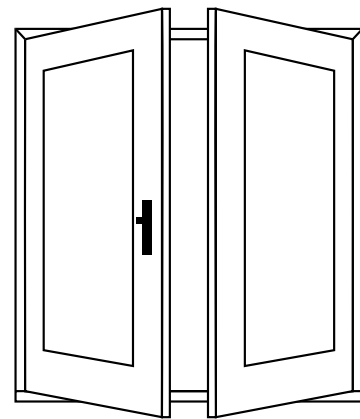
Our Screen & Storm doors automatically come with a pair of self-closers. This system includes hold-open functionality.



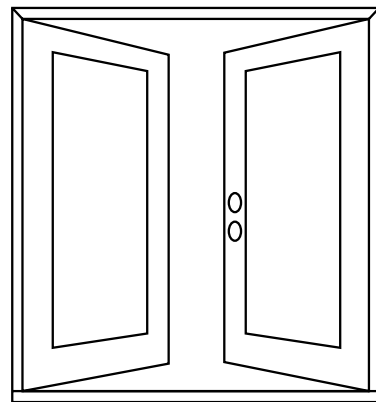
Door Swings



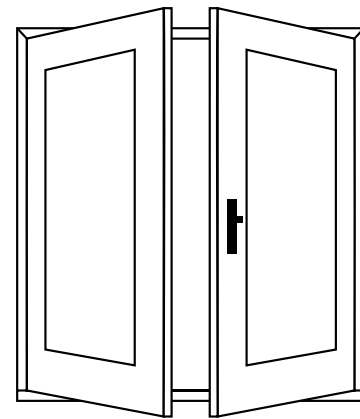
Inswing: LAR (XO)



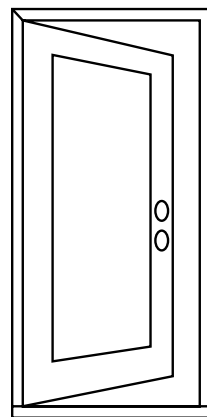
Outswing: LAR (XO)



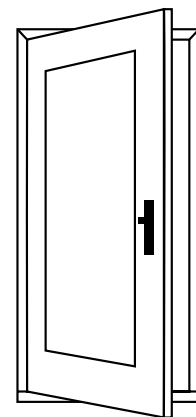
Inswing: LRA (OX)



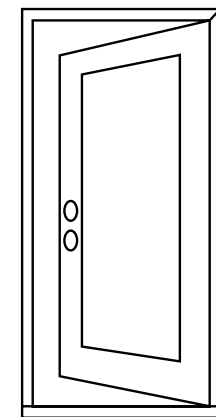
Outswing: LRA (OX)



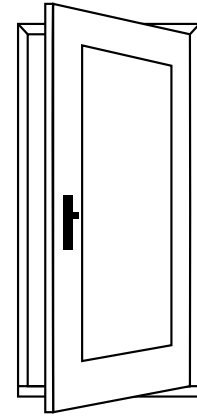
Inswing: LH



Outswing: LH



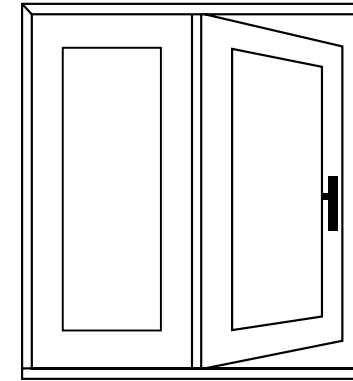
Inswing: RH



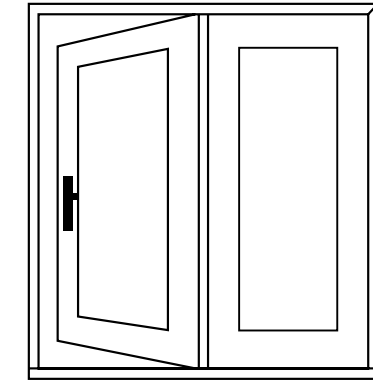
Outswing: RH

Note: Handing is always as if you are viewing the hinge side from the outside of the building regardless of the door swinging into the building or out of the building.

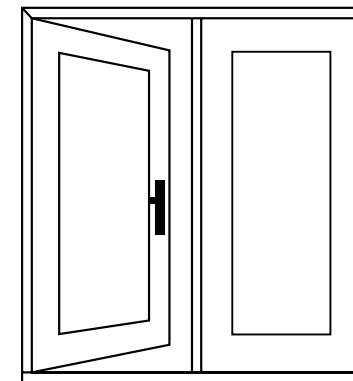
Door Swings



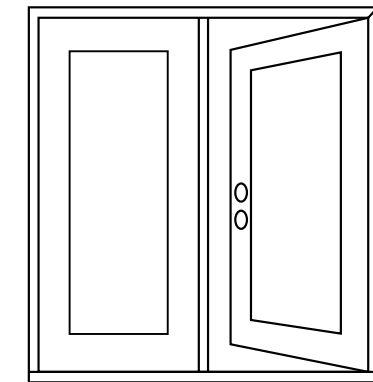
Inswing: Fixed/Left



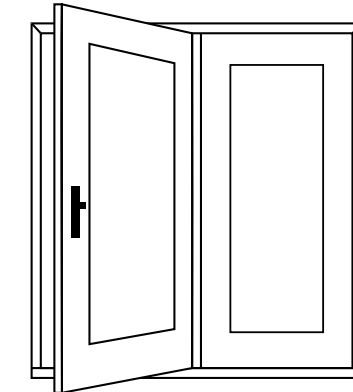
Inswing: Fixed/Right



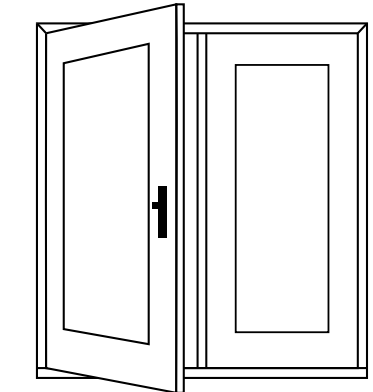
Inswing: Left/Fixed



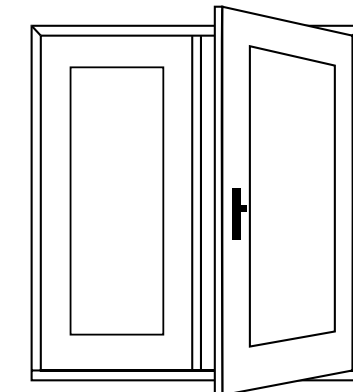
Inswing: Fixed/Right



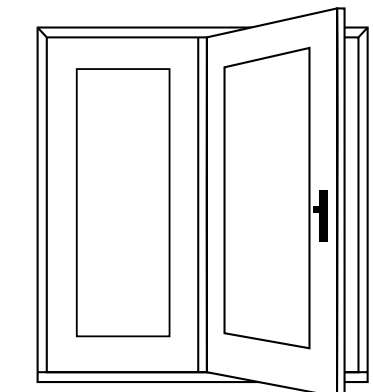
Outswing: Right/Fixed



Outswing: Left/Fixed



Outswing: Fixed/Right



Outswing: Fixed/Left

1.75" Swinging Terrace & French Doors -
Narrow Stile (3") TD

Size Charts

TD1

Width

Rough Opening Inswing with Jamb Extension					19 1/8" [485]	25" [635]	31 7/8" [809]	35 1/8" [892]	37 3/4" [959]	39 5/16" [999]	41 11/16" [1059]	45 1/4" [1150]
Rough Opening					18 7/16" [469]	24 3/8" [619]	31 1/4" [793]	34 1/2" [876]	37 1/8" [943]	38 11/16" [983]	41 1/16" [1043]	44 5/8" [1134]
Frame					17 11/16" [450]	23 5/8" [600]	30 1/2" [774]	33 3/4" [857]	36 3/8" [924]	37 15/16" [964]	40 5/16" [1024]	43 7/8" [1115]
Panel					15 13/16" [402]	21 3/4" [552]	28 9/16" [726]	31 7/8" [809]	34 1/2" [876]	36 1/16" [916]	38 7/16" [976]	42" [1067]
Visible Glass					9 15/16" [252]	15 13/16" [402]	22 11/16" [576]	25 15/16" [659]	28 9/16" [726]	27 3/8" [696]	32 1/2" [826]	33 3/8" [847]
16 5/8" [422]	16 5/16" [415]	15 3/4" [400]	13 7/8" [352]	9 11/16" [246]	* TDT1 0404	* TDT1 0604	* TDT1 0704	* TDT1 0804	* TDT1 0904	* TDT1 0904	* TDT1 1004	* TDT1 1104
24 1/2" [622]	24 3/16" [615]	23 5/8" [600]	21 3/4" [552]	17 9/16" [446]	* TDT1 0406	* TDT1 0606	* TDT1 0706	* TDT1 0806	* TDT1 0906	* TDT1 0906	* TDT1 1006	* TDT1 1106
					VENTING SUITE			DOORS				
80 3/8" [2042]	80 1/8" [2035]	79 1/2" [2020]	76 7/16" [1942]	68 13/16" [1748]	~TD1 0420	~TD1 0620	TD1 0720	TD1 0820	TD1 0920	TD1 0920	TD1 1020	TD1 1120
82 3/16" [2087]	81 7/8" [2080]	81 5/16" [2065]	78 1/4" [1987]	70 9/16" [1793]	~TD1 0421	~TD1 0621	TD1 0721	TD1 0821	TD1 0921	TD1 0921	TD1 1021	TD1 1121
86 7/8" [2206]	86 9/16" [2199]	86" [2184]	82 15/16" [2106]	75 1/4" [1912]	~TD1 0470	~TD1 0670	TD1 0770	TD1 0870	TD1 0970	TD1 0970	TD1 1070	TD1 1170
95 3/8" [2422]	95 1/16" [2415]	94 1/2" [2400]	91 7/16" [2322]	83 3/4" [2128]	~TD1 0424	~TD1 0624	TD1 0724	TD1 0824	TD1 0924	TD1 0924	TD1 1024	TD1 1124
98 1/4" [2496]	98" [2489]	97 3/8" [2474]	94 5/16" [2396]	86 11/16" [2202]	~TD1 0480	~TD1 0680	TD1 0780	TD1 0880	TD1 0980	TD1 0980	TD1 1080	TD1 1180
99 15/16" [2538]	99 5/8" [2531]	99 1/16" [2516]	96" [2438]	88 3/8" [2244]	~TD1 0425	~TD1 0625	TD1 0725	TD1 0825	TD1 0925	TD1 0925	TD1 1025	TD1 1125
107 3/16" [2722]	106 7/8" [2715]	106 5/16" [2700]	103 1/4" [2622]	95 9/16" [2428]	~TD1 0427	~TD1 0627	TD1 0727	TD1 0827	TD1 0927	TD1 0927	TD1 1027	TD1 1127

Height

* Transom units
~ Venting or Fixed Sidelite

1.75" Swinging Terrace & French Doors -
Narrow Stile (3") TD

Size Charts

TD2

Width

Rough Opening Inswing with Jamb Extension					46 3/4" [1187]	60 7/16" [1535]	66 15/16" [1701]	72 1/4" [1835]	75 3/8" [1915]	80 1/8" [2035]	87 5/16" [2217]
Rough Opening					46 1/8" [1171]	59 13/16" [1519]	66 5/16" [1685]	71 5/8" [1819]	74 3/4" [1899]	79 1/2" [2019]	86 5/8" [2201]
Frame					45 3/8" [1152]	59 1/16" [1500]	65 9/16" [1666]	70 7/8" [1800]	74" [1880]	78 3/4" [2000]	85 7/8" [2182]
Panel					21 3/4" [552]	28 9/16" [726]	31 7/8" [809]	34 1/2" [876]	36 1/16" [916]	38 7/16" [976]	42" [1067]
Visible Glass					15 13/16" [402]	22 11/16" [576]	25 15/16" [659]	28 9/16" [726]	27 3/8" [696]	32 1/2" [826]	33 3/8" [847]
					TRANSOM						
16 5/8" [422]	16 5/16" [415]	15 3/4" [400]	13 7/8" [352]	9 11/16" [246]	*TDT2 1204	*TDT2 1504	* TDT2 1604	* TDT2 1804	* TDT2 1804	*TDT2 2004	*TDT2 2204
24 1/2" [622]	24 3/16" [615]	23 5/8" [600]	21 3/4" [552]	17 9/16" [446]	*TDT2 1206	*TDT2 1506	*TDT2 1606	* TDT2 1806	* TDT2 1806	* TDT2 2006	* TDT2 2206
					DOOR						
80 3/8" [2042]	80 1/8" [2035]	79 1/2" [2020]	76 7/16" [1942]	68 13/16" [1748]	TD2 1220	TD2 1520	TD2 1620	TD2 1820	TD2 1820	TD2 2020	TD2 2220
82 3/16" [2087]	81 7/8" [2080]	81 5/16" [2065]	78 1/4" [1987]	70 9/16" [1793]	TD2 1221	TD2 1521	TD2 1621	TD2 1821	TD2 1821	TD2 2021	TD2 2221
86 7/8" [2206]	86 9/16" [2199]	86" [2184]	82 15/16" [2106]	75 1/4" [1912]	TD2 1270	TD2 1570	TD2 1670	TD2 1870	TD2 1870	TD2 2070	TD2 2270
95 3/8" [2422]	95 1/16" [2415]	94 1/2" [2400]	91 7/16" [2322]	83 3/4" [2128]	TD2 1224	TD2 1524	TD2 1624	TD2 1824	TD2 1824	TD2 2024	TD2 2224
98 1/4" [2496]	98" [2489]	97 3/8" [2474]	94 5/16" [2396]	86 11/16" [2202]	TD2 1280	TD2 1580	TD2 1680	TD2 1880	TD2 1880	TD2 2080	TD2 2280
99 15/16" [2538]	99 5/8" [2531]	99 1/16" [2516]	96" [2438]	88 3/8" [2244]	TD2 1225	TD2 1525	TD2 1625	TD2 1825	TD2 1825	TD2 2025	TD2 2225
107 3/16" [2722]	106 7/8" [2715]	106 5/16" [2700]	103 1/4" [2622]	95 9/16" [2428]	TD2 1227	TD2 1527	TD2 1627	TD2 1827	TD2 1827	TD2 2027	TD2 2227

Height

* Fixed Sidelite

1.75" Swinging Terrace & French Doors -
Narrow Stile (3") TD

Size Charts

TD3

Width

Rough Opening Inswing with Jamb Extension					89" [2261]	98 13/16" [2510]	106 3/4" [2711]	111 7/16" [2831]	118 9/16" [3011]	129 5/16" [3284]
Rough Opening					88 3/8" [2245]	98 3/16" [2494]	106 1/16" [2695]	110 13/16" [2815]	117 7/8" [2995]	128 11/16" [3268]
Frame					87 5/8" [2226]	97 7/16" [2475]	105 5/16" [2676]	110 1/16" [2796]	117 1/8" [2976]	127 15/16" [3249]
Panel					28 9/16" [726]	31 7/8" [809]	34 1/2" [876]	36 1/16" [916]	38 7/16" [976]	42" [1067]
Visible Glass					22 11/16" [576]	25 15/16" [659]	28 9/16" [726]	27 3/8" [696]	32 1/2" [826]	33 3/8" [847]
					TRANSOM					
16 5/8" [422]	16 5/16" [415]	15 3/4" [400]	13 7/8" [352]	9 11/16" [246]	*TDT3 2204	* TDT3 2404	* TDT3 2704	* TDT3 2704	* TDT3 3004	* TDT3 3204
24 1/2" [622]	24 3/16" [615]	23 5/8" [600]	21 3/4" [552]	17 9/16" [446]	*TDT3 2206	* TDT3 2406	* TDT3 2706	* TDT3 2706	* TDT3 3006	* TDT3 3206
					DOOR					
80 3/8" [2042]	80 1/8" [2035]	79 1/2" [2020]	76 7/16" [1942]	68 13/16" [1748]	TD3 2220	TD3 2420	TD3 2720	TD3 2720	TD3 3020	TD3 3220
82 3/16" [2087]	81 7/8" [2080]	81 5/16" [2065]	78 1/4" [1987]	70 9/16" [1793]	TD3 2221	TD3 2421	TD3 2721	TD3 2721	TD3 3021	TD3 3221
86 7/8" [2206]	86 9/16" [2199]	86" [2184]	82 15/16" [2106]	75 1/4" [1912]	TD3 2270	TD3 2470	TD3 2770	TD3 2770	TD3 3070	TD3 3270
95 3/8" [2422]	95 1/16" [2415]	94 1/2" [2400]	91 7/16" [2322]	83 3/4" [2128]	TD3 2224	TD3 2424	TD3 2724	TD3 2724	TD3 3024	TD3 3224
98 1/4" [2496]	98" [2489]	97 3/8" [2474]	94 5/16" [2396]	86 11/16" [2202]	TD3 2280	TD3 2480	TD3 2780	TD3 2780	TD3 3080	TD3 3280
99 15/16" [2538]	99 5/8" [2531]	99 1/16" [2516]	96" [2438]	88 3/8" [2244]	TD3 2225	TD3 2425	TD3 2725	TD3 2725	TD3 3025	TD3 3225
107 3/16 [2722]	106 7/8" [2715]	106 5/16" [2700]	103 1/4" [2622]	95 9/16" [2428]	TD3 2227	TD3 2427	TD3 2727	TD3 2727	TD3 3027	TD3 3227

Height

1.75" Swinging Terrace & French Doors -
Narrow Stile (3") TD

Size Charts

TD4

Width

Rough Opening Inswing with Jamb Extension					111 7/16" [2831]	117 5/8" [2988]	130 11/16" [3320]	141 1/4" [3588]	147 1/2" [3747]	157" [3988]	171 5/16" [4352]
Rough Opening					110 13/16" [2815]	117" [2972]	130 1/16" [3304]	140 5/8" [3572]	146 7/8" [3731]	156 3/8" [3972]	170 11/16" [4336]
Frame					110 1/16" [2796]	116 1/4" [2953]	129 5/16" [3285]	139 7/8" [3553]	146 1/8" [3712]	155 5/8" [3953]	169 15/16" [4317]
Panel					27 1/16" [687]	28 9/16" [726]	31 7/8" [809]	34 1/2" [876]	36 1/16" [916]	38 7/16" [976]	42" [1067]
Visible Glass					21 1/8" [537]	22 11/16" [576]	25 15/16" [659]	28 9/16" [726]	27 3/8" [696]	32 1/2" [826]	33 3/8" [847]
					TRANSOM						
16 5/8" [422]	16 5/16" [415]	15 3/4" [400]	13 7/8" [352]	9 11/16" [246]	*TDT4 2704	*TDT4 3004	*TDT4 3204	*TDT4 3604	*TDT4 3604	*TDT4 4004	*TDT4 4304
24 1/2" [622]	24 3/16" [615]	23 5/8" [600]	21 3/4" [552]	17 9/16" [446]	*TDT4 2706	*TDT4 3006	*TDT4 3206	*TDT4 3606	*TDT4 3606	*TDT4 4006	*TDT4 4306
					DOOR						
80 3/8" [2042]	80 1/8" [2035]	79 1/2" [2020]	76 7/16" [1942]	68 13/16" [1748]	TD4 2720	TD4 3020	TD4 3220	TD4 3620	TD4 3620	TD4 4020	TD4 4320
82 3/16" [2087]	81 7/8" [2080]	81 5/16" [2065]	78 1/4" [1987]	70 9/16" [1793]	TD4 2721	TD4 3021	TD4 3221	TD4 3621	TD4 3621	TD4 4021	TD4 4321
86 7/8" [2206]	86 9/16" [2199]	86" [2184]	82 15/16" [2106]	75 1/4" [1912]	TD4 2770	TD4 3070	TD4 3270	TD4 3670	TD4 3670	TD4 4070	TD4 4370
95 3/8" [2422]	95 1/16" [2415]	94 1/2" [2400]	91 7/16" [2322]	83 3/4" [2128]	TD4 2724	TD4 3024	TD4 3224	TD4 3624	TD4 3624	TD4 4024	TD4 4324
98 1/4" [2496]	98" [2489]	97 3/8" [2474]	94 5/16" [2396]	86 11/16" [2202]	TD4 2780	TD4 3080	TD4 3280	TD4 3680	TD4 3680	TD4 4080	TD4 4380
99 15/16" [2538]	99 5/8" [2531]	99 1/16" [2516]	96" [2438]	88 3/8" [2244]	TD4 2725	TD4 3025	TD4 3225	TD4 3625	TD4 3625	TD4 4025	TD4 4325
107 3/16 [2722]	106 7/8" [2715]	106 5/16" [2700]	103 1/4" [2622]	95 9/16" [2428]	TD4 2727	TD4 3027	TD4 3227	TD4 3627	TD4 3627	TD4 4027	TD4 4327

Height

* Fixed Sidelite

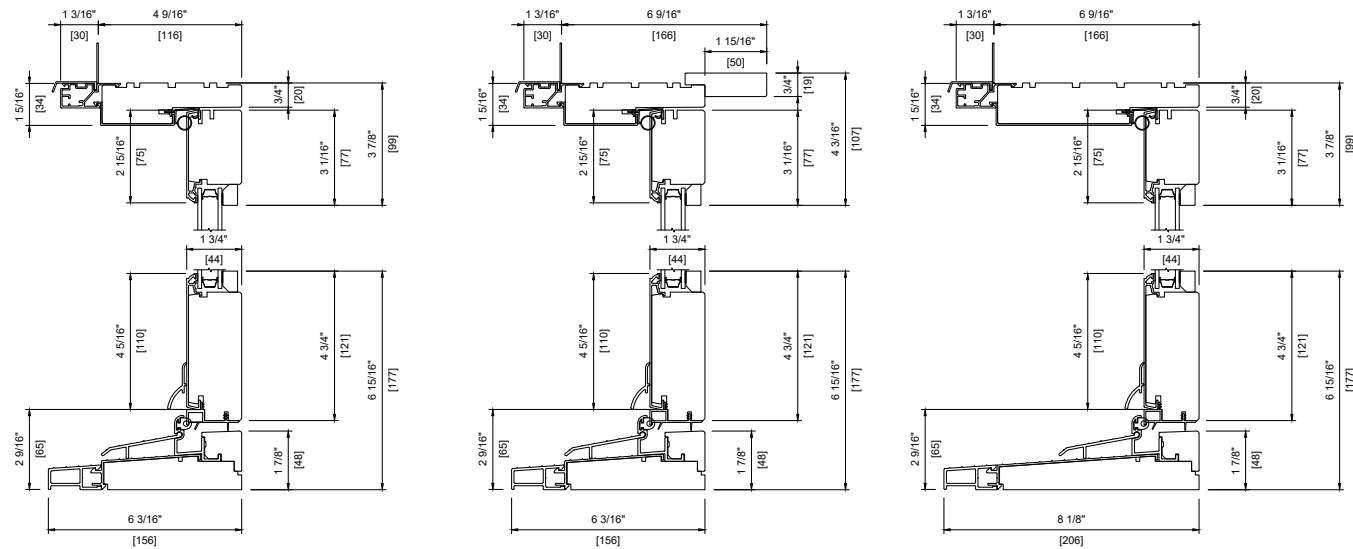
* Fixed Sidelite

1.75" Swinging Terrace & French Doors -
Narrow Stile (3") TD

Drawings

Inswing

HEAD & SILL DETAIL



METAL CLAD DOUBLE
4 3/8" (116 mm)

METAL CLAD DOUBLE
6 3/8" (166 mm)

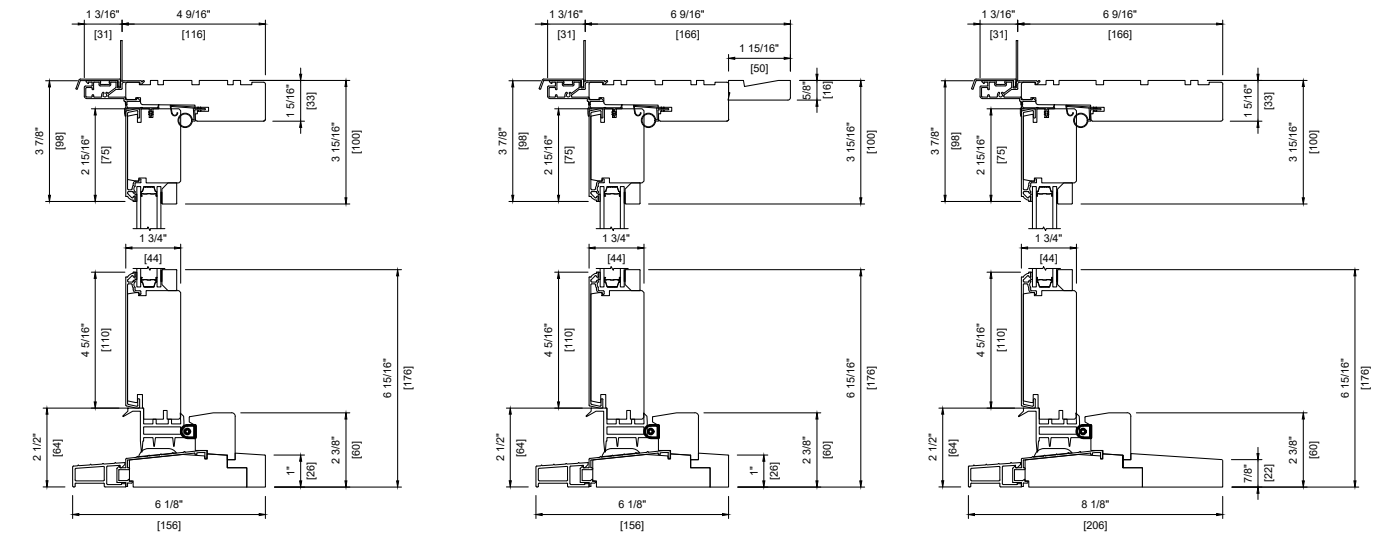
METAL CLAD DOUBLE
6 3/8" (166 mm)
FULL JAMB

1.75" Swinging Terrace & French Doors -
Narrow Stile (3") TD

Drawings

Outswing

HEAD & SILL DETAIL

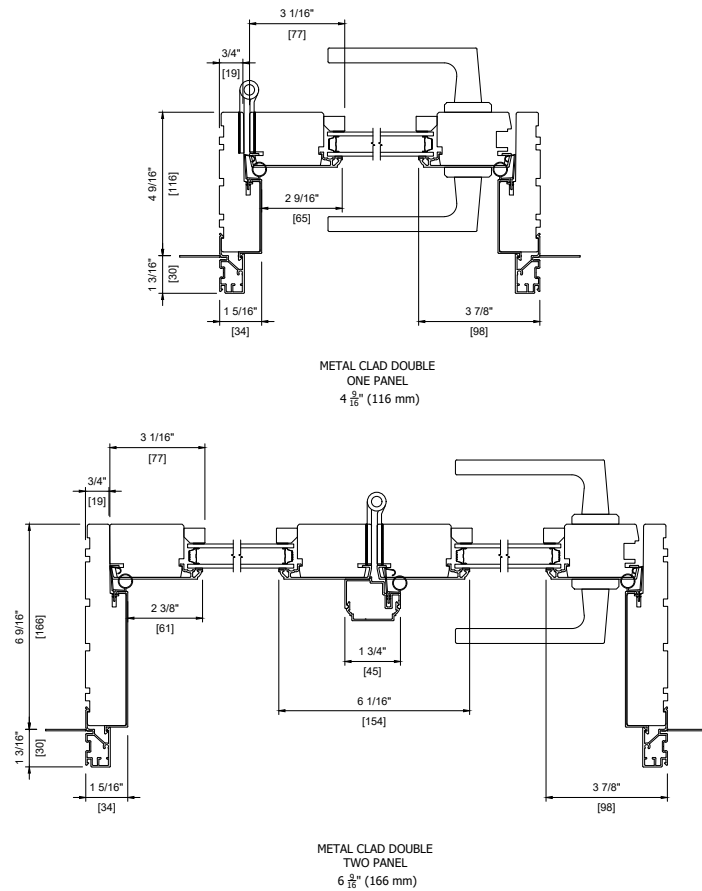


METAL CLAD DOUBLE
4 3/8" (116 mm)

METAL CLAD DOUBLE
6 3/8" (166 mm)

METAL CLAD DOUBLE
6 3/8" (166 mm)
FULL JAMB

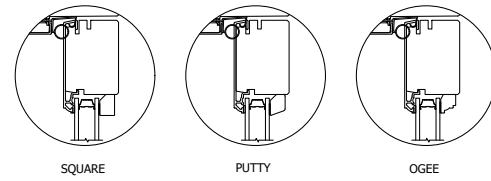
PLAN VIEW



METAL CLAD DOUBLE
ONE PANEL
4 3/8" (116 mm)

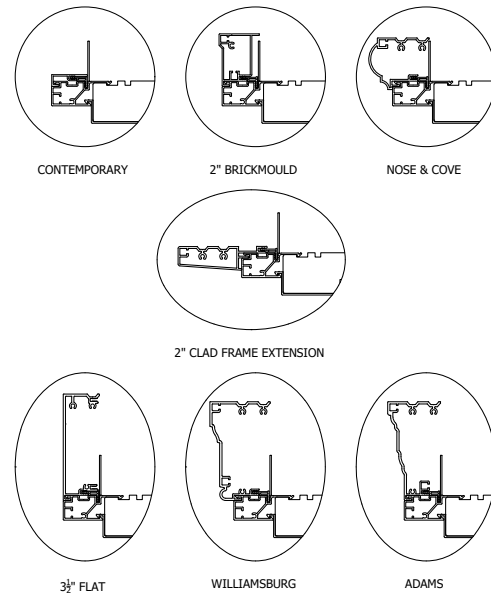
METAL CLAD DOUBLE
TWO PANEL
6 3/8" (166 mm)

GLAZING STOP PROFILES



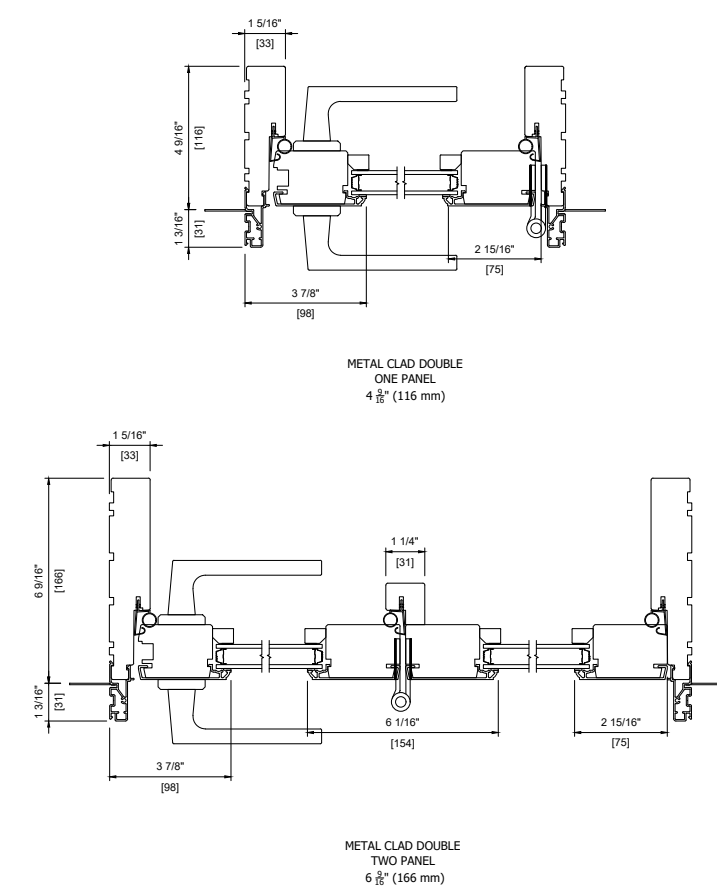
SQUARE PUTTY OGEE

Casing



3 1/2\"/>

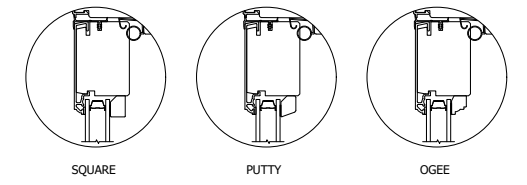
PLAN VIEW



METAL CLAD DOUBLE
ONE PANEL
4 3/8" (116 mm)

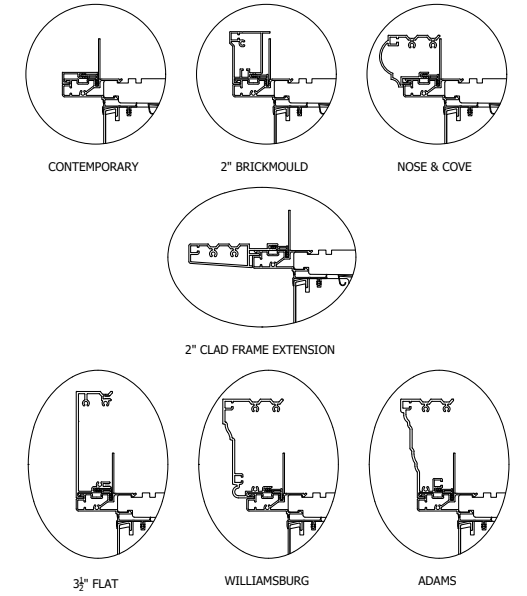
METAL CLAD DOUBLE
TWO PANEL
6 3/8" (166 mm)

GLAZING STOP PROFILES



SQUARE PUTTY OGEE

Casing



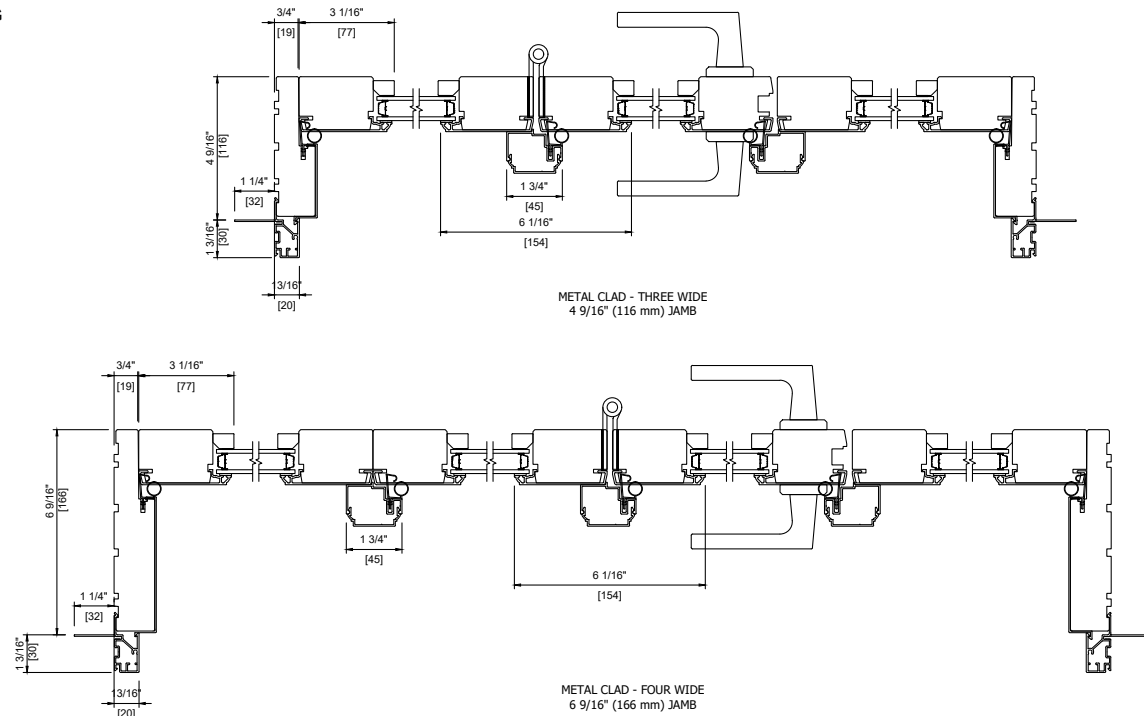
3 1/2\"/>

1.75" Swinging Terrace & French Doors -
Narrow Stile (3") TD

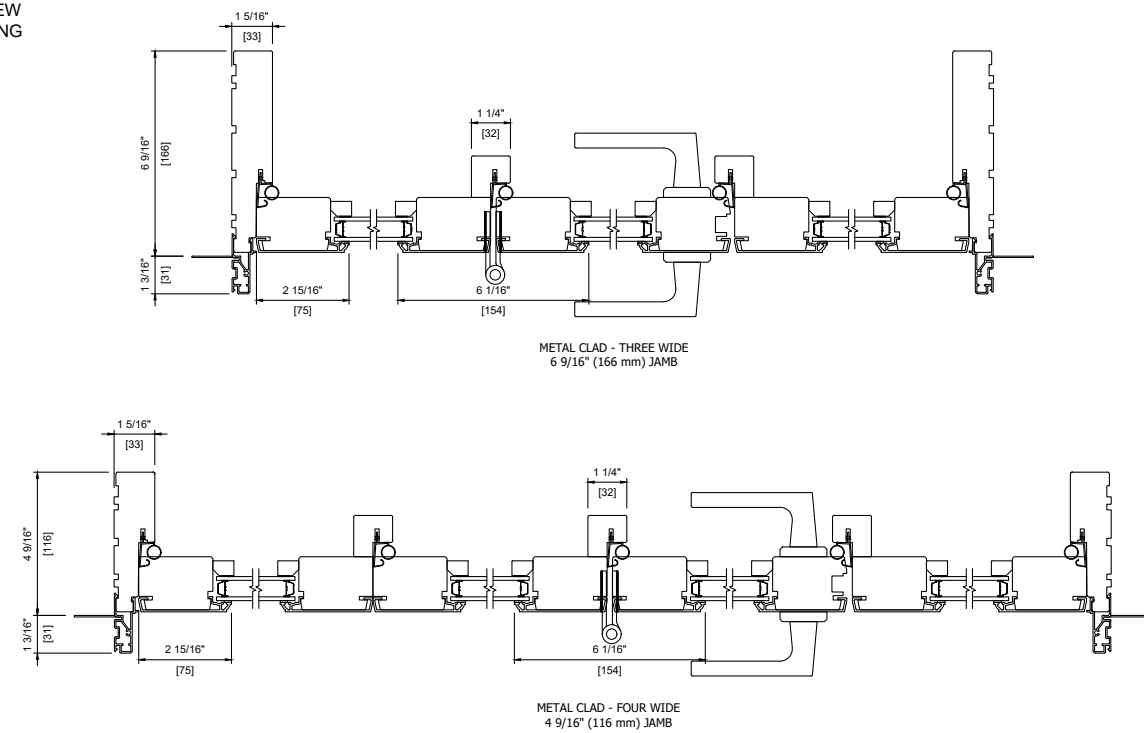
Drawings

3 & 4 Wide Inswing & Outswing

PLAN VIEW
INSWING



PLAN VIEW
OUTSWING



1.75" Swinging Terrace & French Doors -
Standard Stile (>3") TD

Size Charts

TD1

		Width											
		19 1/8"	25"	31 7/8"	35 1/8"	37 3/4"	39 5/16"	41 1/16"	45 1/4"				
		[485]	[635]	[809]	[892]	[959]	[999]	[1059]	[1150]				
Rough Opening	Inswing with Jamb Extension	Rough Opening		18 7/16"	24 3/8"	31 1/4"	34 1/2"	37 1/8"	38 11/16"	41 1/16"	44 5/8"		
		Frame		[469]	[619]	[793]	[876]	[943]	[983]	[1043]	[1134]		
		Panel		17 11/16"	23 5/8"	30 1/2"	33 3/4"	36 3/8"	37 15/16"	40 5/16"	43 7/8"		
		Panel		[450]	[600]	[774]	[857]	[924]	[964]	[1024]	[1115]		
		Visible Glass		15 13/16"	21 3/4"	28 9/16"	31 7/8"	34 1/2"	36 1/16"	38 7/16"	42"		
		Visible Glass		[402]	[552]	[726]	[809]	[876]	[916]	[976]	[1067]		
		Visible Glass		7 3/16"	13 1/16"	19 15/16"	23 3/16"	25 13/16"	27 3/8"	29 3/4"	33 3/8"		
		Visible Glass		[182]	[332]	[506]	[589]	[656]	[696]	[756]	[847]		
										TRANSOM			
16 5/8"	16 5/16"	15 3/4"	13 7/8"	9 11/16"	*TDT1	*TDT1	*TDT1	*TDT1	*TDT1	*TDT1	*TDT1	*TDT1	
[422]	[415]	[400]	[352]	[246]	0404	0604	0704	0804	0904	0904	1004	1104	
24 1/2"	24 3/16"	23 5/8"	21 3/4"	17 9/16"	*TDT1	*TDT1	*TDT1	*TDT1	*TDT1	*TDT1	*TDT1	*TDT1	
[622]	[615]	[600]	[552]	[446]	0406	0606	0706	0806	0906	0906	1006	1106	
						VENTING SUITE			DOORS				
80 3/8"	80 1/8"	79 1/2"	76 7/16"	63 7/8"	^VTD1	^VTD1	TD1	TD1	TD1	TD1	TD1	TD1	
[2042]	[2035]	[2020]	[1942]	[1623]	0420	0620	0720	0820	0920	0920	1020	1120	
82 3/16"	81 7/8"	81 5/16"	78 1/4"	65 11/16"	^VTD1	^VTD1	TD1	TD1	TD1	TD1	TD1	TD1	
[2087]	[2080]	[2065]	[1987]	[1668]	0421	0621	0721	0821	0921	0921	1021	1121	
86 7/8"	86 9/16"	86"	82 15/16"	70 3/8"	^VTD1	^VTD1	TD1	TD1	TD1	TD1	TD1	TD1	
[2206]	[2199]	[2184]	[2106]	[1787]	0470	0670	0770	0870	0970	0970	1070	1170	
95 3/8"	95 1/16"	94 1/2"	91 7/16"	78 7/8"	^VTD1	^VTD1	TD1	TD1	TD1	TD1	TD1	TD1	
[2422]	[2415]	[2400]	[2322]	[2003]	0424	0624	0724	0824	0924	0924	1024	1124	
98 1/4"	98"	97 3/8"	94 5/16"	81 3/4"	^VTD1	^VTD1	TD1	TD1	TD1	TD1	TD1	TD1	
[2496]	[2489]	[2474]	[2396]	[2077]	0480	0680	0780	0880	0980	0980	1080	1180	
99 15/16"	99 5/8"	99 1/16"	96"	83 7/16"	^VTD1	^VTD1	TD1	TD1	TD1	TD1	TD1	TD1	
[2538]	[2531]	[2516]	[2438]	[2119]	0425	0625	0725	0825	0925	0925	1025	1125	
107 3/16"	106 7/8"	106 5/16"	103 1/4"	90 11/16"			TD1	TD1	TD1	TD1	TD1	TD1	
[2722]	[2715]	[2700]	[2622]	[2303]			0727	0827	0927	0927	1027	1127	
124 5/16"	124"	123 7/16"	120 3/8"	107 13/16"			TD1	TD1	TD1	TD1	TD1		
[3157]	[3150]	[3135]	[3057]	[2738]			0732	0832	0932	0932	1032		

Height

* Transom units
^ Venting or fixed

1.75" Swinging Terrace & French Doors -
Standard Stile (>3") TD

Size Charts

TD2

Width

Rough Opening Inswing with Jamb Extension					46 3/4" [1187]	60 7/16" [1535]	66 15/16" [1701]	72 1/4" [1835]	75 3/8" [1915]	80 1/8" [2035]	87 5/16" [2217]
Rough Opening					46 1/8" [1171]	59 13/16" [1519]	66 5/16" [1685]	71 5/8" [1819]	74 3/4" [1899]	79 1/2" [2019]	86 5/8" [2201]
Frame					45 3/8" [1152]	59 1/16" [1500]	65 9/16" [1666]	70 7/8" [1800]	70 7/8" [1880]	78 3/4" [2000]	85 7/8" [2182]
Panel					21 3/4" [552]	28 9/16" [726]	31 7/8" [809]	34 1/2" [876]	36 1/16" [916]	38 7/16" [976]	42" [1067]
Visible Glass					13 1/16" [332]	19 15/16" [506]	23 3/16" [589]	25 13/16" [656]	27 3/8" [696]	29 3/4" [756]	33 3/8" [847]
					TRANSOM						
16 5/8" [422]	16 5/16" [415]	15 3/4" [400]	13 7/8" [352]	9 11/16" [246]	*TDT2 1204	*TDT2 1504	*TDT2 1604	*TDT2 1804	*TDT2 1804	*TDT2 2004	*TDT2 2204
24 1/2" [622]	24 3/16" [615]	23 5/8" [600]	21 3/4" [552]	17 9/16" [446]	*TDT2 1206	*TDT2 1506	*TDT2 1606	*TDT2 1806	*TDT2 1806	*TDT2 2006	*TDT2 2206
					DOORS						
80 3/8" [2042]	80 1/8" [2035]	79 1/2" [2020]	76 7/16" [1942]	63 7/8" [1623]	TD2 1220	TD2 1520	TD2 1620	TD2 1820	TD2 1820	TD2 2020	TD2 2220
82 3/16" [2087]	81 7/8" [2080]	81 5/16" [2065]	78 1/4" [1987]	65 11/16" [1668]	TD2 1221	TD2 1521	TD2 1621	TD2 1821	TD2 1821	TD2 2021	TD2 2221
86 7/8" [2206]	86 9/16" [2199]	86" [2184]	82 15/16" [2106]	70 3/8" [1787]	TD2 1270	TD2 1570	TD2 1670	TD2 1870	TD2 1870	TD2 2070	TD2 2270
95 3/8" [2422]	95 1/16" [2415]	94 1/2" [2400]	91 7/16" [2322]	78 7/8" [2003]	TD2 1224	TD2 1524	TD2 1624	TD2 1824	TD2 1824	TD2 2024	TD2 2224
98 1/4" [2496]	98" [2489]	97 3/8" [2474]	94 5/16" [2396]	81 3/4" [2077]	TD2 1280	TD2 1580	TD2 1680	TD2 1880	TD2 1880	TD2 2080	TD2 2280
99 15/16" [2538]	99 5/8" [2531]	99 1/16" [2516]	96" [2438]	83 7/16" [2119]	TD2 1225	TD2 1525	TD2 1625	TD2 1825	TD2 1825	TD2 2025	TD2 2225
107 3/16 [2722]	106 7/8" [2715]	106 5/16" [2700]	103 1/4" [2622]	90 11/16" [2303]	TD2 1227	TD2 1527	TD2 1627	TD2 1827	TD2 1827	TD2 2027	TD2 2227
124 5/16 [3157]	124" [3150]	123 7/16" [3135]	120 3/8" [3057]	107 13/16" [2738]	TD2 1232	TD2 1532	TD2 1632	TD2 1832	TD2 1832	TD2 2032	

Height

1.75" Swinging Terrace & French Doors -
Standard Stile (>3") TD

Size Charts

TD3

Width

Rough Opening Inswing with Jamb Extension					89" [2261]	98 13/16" [2510]	106 3/4" [2711]	111 7/16" [2831]	118 9/16" [3011]	129 5/16" [3284]
Rough Opening					88 3/8" [2245]	98 3/16" [2494]	106 1/16" [2695]	110 13/16" [2815]	117 7/8" [2995]	128 11/16" [3268]
Frame					87 5/8" [2226]	97 7/16" [2475]	105 5/16" [2676]	110 1/16" [2796]	117 1/8" [2976]	127 15/16" [3249]
Panel					28 9/16" [726]	31 7/8" [809]	34 1/2" [876]	36 1/16" [916]	38 7/16" [976]	42" [1067]
Visible Glass					19 15/16" [506]	23 3/16" [589]	25 13/16" [656]	27 3/8" [696]	29 3/4" [756]	33 3/8" [847]
					TRANSOM					
16 5/8" [422]	16 5/16" [415]	15 3/4" [400]	13 7/8" [352]	9 11/16" [246]	*TDT3 2204	*TDT3 2404	*TDT3 2704	*TDT3 2704	*TDT3 3004	*TDT3 3204
24 1/2" [622]	24 3/16" [615]	23 5/8" [600]	21 3/4" [552]	17 9/16" [446]	*TDT3 2206	*TDT3 2406	*TDT3 2706	*TDT3 2706	*TDT3 3006	*TDT3 3206
					DOORS					
80 3/8" [2042]	80 1/8" [2035]	79 1/2" [2020]	76 7/16" [1942]	63 7/8" [1623]	TD3 2220	TD3 2420	TD3 2720	TD3 2720	TD3 3020	TD3 3220
82 3/16" [2087]	81 7/8" [2080]	81 5/16" [2065]	78 1/4" [1987]	65 11/16" [1668]	TD3 2221	TD3 2421	TD3 2721	TD3 2721	TD3 3021	TD3 3221
86 7/8" [2206]	86 9/16" [2199]	86" [2184]	82 15/16" [2106]	70 3/8" [1787]	TD3 2270	TD3 2470	TD3 2770	TD3 2770	TD3 3070	TD3 3270
95 3/8" [2422]	95 1/16" [2415]	94 1/2" [2400]	91 7/16" [2322]	78 7/8" [2003]	TD3 2224	TD3 2424	TD3 2724	TD3 2724	TD3 3024	TD3 3224
98 1/4" [2496]	98" [2489]	97 3/8" [2474]	94 5/16" [2396]	81 3/4" [2077]	TD3 2280	TD3 2480	TD3 2780	TD3 2780	TD3 3080	TD3 3280
99 15/16" [2538]	99 5/8" [2531]	99 1/16" [2516]	96" [2438]	83 7/16" [2119]	TD3 2225	TD3 2425	TD3 2725	TD3 2725	TD3 3025	TD3 3225
107 3/16 [2722]	106 7/8" [2715]	106 5/16" [2700]	103 1/4" [2622]	90 11/16" [2303]	TD3 2227	TD3 2427	TD3 2727	TD3 2727	TD3 3027	TD3 3227

Height

* Transom units

* Transom units

1.75" Swinging Terrace & French Doors -
Standard Stile (>3") TD

Size Charts

TD4

Width

Rough Opening Inswing with Jamb Extension					117 5/8" [2988]	130 11/16" [3320]	141 1/4" [3588]	147 1/2" [3747]	157" [3988]	171 5/16" [4352]
Rough Opening					117" [2972]	130 1/16" [3304]	140 5/8" [3572]	146 7/8" [3731]	156 3/8" [3972]	170 11/16" [4336]
Frame					116 1/4" [2953]	129 5/16" [3285]	139 7/8" [3553]	146 1/8" [3712]	155 5/8" [3953]	169 15/16" [4317]
Panel					28 9/16" [726]	31 7/8" [809]	34 1/2" [876]	36 1/16" [916]	38 7/16" [976]	42" [1067]
Visible Glass					19 15/16" [506]	23 3/16" [589]	25 13/16" [656]	27 3/8" [696]	29 3/4" [756]	33 3/8" [847]
TRANSOM										
16 5/8" [422]	16 5/16" [415]	15 3/4" [400]	13 7/8" [352]	9 11/16" [246]	*TDT4 3004	*TDT4 3204	*TDT4 3604	*TDT4 3604	*TDT4 4004	*TDT4 4304
24 1/2" [622]	24 3/16" [615]	23 5/8" [600]	21 3/4" [552]	17 9/16" [446]	*TDT4 3006	*TDT4 3206	*TDT4 3606	*TDT4 3606	*TDT4 4006	*TDT4 4306
DOORS										
80 3/8" [2042]	80 1/8" [2035]	79 1/2" [2020]	76 7/16" [1942]	63 7/8" [1623]	TD4 3020	TD4 3220	TD4 3620	TD4 3620	TD4 4020	TD4 4320
82 3/16" [2087]	81 7/8" [2080]	81 5/16" [2065]	78 1/4" [1987]	65 11/16" [1668]	TD4 3021	TD4 3221	TD4 3621	TD4 3621	TD4 4021	TD4 4321
86 7/8" [2206]	86 9/16" [2199]	86" [2184]	82 15/16" [2106]	70 3/8" [1787]	TD4 3070	TD4 3270	TD4 3670	TD4 3670	TD4 4070	TD4 4370
95 3/8" [2422]	95 1/16" [2415]	94 1/2" [2400]	91 7/16" [2322]	78 7/8" [2003]	TD4 3024	TD4 3224	TD4 3624	TD4 3624	TD4 4024	TD4 4324
98 1/4" [2496]	98" [2489]	97 3/8" [2474]	94 5/16" [2396]	81 3/4" [2077]	TD4 3080	TD4 3280	TD4 3680	TD4 3680	TD4 4080	TD4 4380
99 15/16" [2538]	99 5/8" [2531]	99 1/16" [2516]	96" [2438]	83 7/16" [2119]	TD4 3025	TD4 3225	TD4 3625	TD4 3625	TD4 4025	TD4 4325
107 3/16 [2722]	106 7/8" [2715]	106 5/16" [2700]	103 1/4" [2622]	90 11/16" [2303]	TD4 3027	TD4 3227	TD4 3627	TD4 3627	TD4 4027	TD4 4327

Height

1.75" Swinging Terrace & French Doors -
Standard Stile (>3") TD

Size Charts

Cambertop TD1

Width

Rough Opening Inswing with Jamb Extension					31 7/8" [809]	35 1/82" [892]	37 3/4" [959]	39 5/16" [999]	41 11/16" [1059]	45 1/4" [1150]
Rough Opening					31 1/4" [793]	34 1/2" [876]	37 1/8" [943]	38 11/16" [983]	41 1/16" [1043]	44 5/8" [1134]
Frame					30 1/2" [774]	33 3/4" [857]	36 3/8" [924]	37 15/16" [964]	40 5/16" [1024]	43 7/8" [1115]
Panel					28 9/16" [726]	31 7/8" [809]	34 1/2" [876]	36 1/16" [916]	38 7/16" [976]	42" [1067]
Visible Glass					19 15/16" [506]	23 3/16" [589]	25 13/16" [656]	27 3/8" [696]	29 3/4" [756]	33 3/8" [847]
80 3/8" [2042]	80 1/8" [2035]	79 1/2" [2020]	76 7/16" [1942]	63 15/16" [1624]	CTTD1 0720	CTTD1 0820	CTTD1 0920	CTTD1 0920	CTTD1 1020	CTTD1 1120
82 3/16" [2087]	81 7/8" [2080]	81 5/16" [2065]	78 1/4" [1987]	65 11/16" [1668]	CTTD1 0721	CTTD1 0821	CTTD1 0921	CTTD1 0921	CTTD1 1021	CTTD1 1121
86 7/8" [2206]	86 9/16" [2199]	86" [2184]	82 15/16" [2106]	70 3/8" [1787]	CTTD1 0770	CTTD1 0870	CTTD1 0970	CTTD1 0970	CTTD1 1070	CTTD1 1170
95 3/8" [2422]	95 1/16" [2415]	94 1/2" [2400]	91 7/16" [2322]	78 7/8" [2003]	CTTD1 0724	CTTD1 0824	CTTD1 0924	CTTD1 0924	CTTD1 1024	CTTD1 1124
98 1/4" [2496]	98" [2489]	97 3/8" [2474]	94 5/16" [2396]	81 3/4" [2077]	CTTD1 0780	CTTD1 0880	CTTD1 0980	CTTD1 0980	CTTD1 1080	CTTD1 1180
99 15/16" [2538]	99 5/8" [2531]	99 1/16" [2516]	96" [2438]	83 7/16" [2119]	CTTD1 0725	CTTD1 0825	CTTD1 0925	CTTD1 0925	CTTD1 1025	CTTD1 1125
107 3/16 [2722]	106 7/8" [2715]	106 5/16" [2700]	103 1/4" [2622]	90 11/16" [2303]	CTTD1 0727	CTTD1 0827	CTTD1 0927	CTTD1 0927	CTTD1 1027	CTTD1 1127
124 5/16 [3157]	124" [3150]	123 7/16" [3135]	120 3/8" [3057]	107 13/16" [2738]	CTTD1 0732	CTTD1 0832	CTTD1 0932			

Height

* Transom units

1.75" Swinging Terrace & French Doors -
Standard Stile (>3") TD

Size Charts

Cambertop TD2



		Rough Opening				Inswing with Jamb Extension						
		Rough Opening		Frame		Panel		Visible Glass				
		46 3/4" [1187]	60 7/16" [1535]	66 15/16" [1701]	72 1/4" [1835]	75 3/8" [1915]	80 1/8" [2035]	87 5/16" [2217]				
		46 1/8" [1171]	59 13/16" [1519]	66 5/16" [1685]	70 5/8" [1819]	74 3/4" [1899]	79 1/2" [2019]	86 5/8" [2201]				
		45 3/8" [1152]	59 1/16" [1500]	65 9/16" [1666]	70 7/8" [1800]	70 7/8" [1880]	78 3/4" [2000]	85 7/8" [2182]				
		21 3/4" [552]	28 9/16" [726]	31 7/8" [809]	34 1/2" [876]	36 1/16" [916]	38 7/16" [976]	42" [1067]				
		13 1/16" [332]	19 15/16" [506]	23 3/16" [589]	25 13/16" [656]	27 3/8" [696]	29 3/4" [756]	33 3/8" [847]				
Height	80 3/8" [2042]	80 1/8" [2035]	79 1/2" [2020]	76 7/16" [1942]	63 3/4" [1619]	CTTD2 1220	CTTD2 1520	CTTD2 1620	CTTD2 1820	CTTD2 1820	CTTD2 2020	CTTD2 2220
	82 3/16" [2087]	81 7/8" [2080]	81 5/16" [2065]	78 1/4" [1987]	65 1/2" [1664]	CTTD2 1221	CTTD2 1521	CTTD2 1621	CTTD2 1821	CTTD2 1821	CTTD2 2021	CTTD2 2221
	86 7/8" [2206]	86 9/16" [2199]	86" [2184]	82 15/16" [2106]	70 3/16" [1783]	CTTD2 1270	CTTD2 1570	CTTD2 1670	CTTD2 1870	CTTD2 1870	CTTD2 2070	CTTD2 2270
	95 3/8" [2422]	95 1/16" [2415]	94 1/2" [2400]	91 7/16" [2322]	78 3/4" [1999]	CTTD2 1224	CTTD2 1524	CTTD2 1624	CTTD2 1824	CTTD2 1824	CTTD2 2024	CTTD2 2224
	98 1/4" [2496]	98" [2489]	97 3/8" [2474]	94 5/16" [2396]	81 3/4" [2077]	CTTD2 1280	CTTD2 1580	CTTD2 1680	CTTD2 1880			
	99 15/16" [2538]	99 5/8" [2531]	99 1/16" [2516]	96" [2438]	83 5/16" [2115]	CTTD2 1225	CTTD2 1525	CTTD2 1625	CTTD2 1825			
	107 3/16 [2722]	106 7/8" [2715]	106 5/16" [2700]	103 1/4" [2622]	90 1/2" [2299]	CTTD2 1227	CTTD2 1527	CTTD2 1627	CTTD2 1827			
	124 5/16 [3157]	124" [3150]	123 7/16" [3135]	120 3/8" [3057]	107 13/16" [2738]	CTTD2 1232	CTTD2 1532	CTTD2 1632	CTTD2 1832			

1.75" Swinging Terrace & French Doors -
Standard Stile (>3") TD

Size Charts

Quarter Round TD1



		Rough Opening				Inswing with Jamb Extension					
		Rough Opening		Frame		Panel		Visible Glass			
		31 7/8" [809]	35 1/82" [892]	37 3/4" [959]	39 5/16" [999]						
		31 1/4" [793]	34 1/2" [876]	37 1/8" [943]	38 11/16" [983]						
		30 1/2" [774]	33 3/4" [857]	36 3/8" [924]	37 15/16" [964]						
		28 9/16" [726]	31 7/8" [809]	34 1/2" [876]	36 1/16" [916]						
		19 15/16" [506]	23 3/16" [589]	25 13/16" [656]	27 3/8" [696]						
Height	80 3/8" [2042]	80 1/8" [2035]	79 1/2" [2020]	76 7/16" [1942]	63 3/8" [1610]	CTTD1 0720	CTTD1 0820				
	82 3/16" [2087]	81 7/8" [2080]	81 5/16" [2065]	78 1/4" [1987]	65 3/16" [1655]	CTTD1 0721	CTTD1 0821	CTTD1 0921	CTTD1 0921		
	86 7/8" [2206]	86 9/16" [2199]	86" [2184]	82 15/16" [2106]	69 7/8" [1774]	CTTD1 0770	CTTD1 0870	CTTD1 0970	CTTD1 0970		
	95 3/8" [2422]	95 1/16" [2415]	94 1/2" [2400]	91 7/16" [2322]	78 3/8" [1990]	CTTD1 0724	CTTD1 0824	CTTD1 0924	CTTD1 0924		
	98 1/4" [2496]	98" [2489]	97 3/8" [2474]	94 5/16" [2396]	81 3/4" [2077]	CTTD1 0780	CTTD1 0880	CTTD1 0980	CTTD1 0980		
	99 15/16" [2538]	99 5/8" [2531]	99 1/16" [2516]	96" [2438]	82 15/16" [2106]	CTTD1 0725	CTTD1 0825	CTTD1 0925	CTTD1 0925		
	107 3/16 [2722]	106 7/8" [2715]	106 5/16" [2700]	103 1/4" [2622]	90 3/16" [2290]	CTTD1 0727	CTTD1 0827	CTTD1 0927	CTTD1 0927		
	124 5/16 [3157]	124" [3150]	123 7/16" [3135]	120 3/8" [3057]	107 13/16" [2738]	CTTD1 0732	CTTD1 0832	CTTD1 0932	CTTD1 0932		

* Availability of half/quarter doors in metal clad may be limited. Consult you Authorized Loewen Dealer

1.75" Swinging Terrace & French Doors -
Standard Stile (>3") TD

Size Charts

Quarter Round TD2

		Width						
Rough Opening Inswing with Jamb Extension		60 7/16" [1535]	66 15/16" [1701]	72 1/4" [1835]	79 1/2" [2020]	86 9/16" [2199]	94 1/2" [2400]	102 1/2" [2600]
Height	Rough Opening	59 13/16" [1519]	66 5/16" [1685]	70 5/8" [1819]	77 1/4" [1942]	84 1/2" [2146]	92 1/2" [2350]	100 1/2" [2554]
	Frame	59 1/16" [1500]	65 9/16" [1666]	70 7/8" [1800]	76 7/16" [1942]	83 1/2" [2138]	91 1/2" [2342]	99 1/2" [2546]
	Panel	28 9/16" [726]	31 7/8" [809]	34 1/2" [876]	37 1/4" [938]	40 1/2" [1030]	43 1/2" [1122]	46 1/2" [1214]
	Visible Glass	19 15/16" [506]	23 3/16" [589]	25 13/16" [656]	28 1/4" [716]	31 1/2" [800]	34 1/2" [876]	37 3/8" [943]
80 3/8" [2042]	80 1/8" [2035]	79 1/2" [2020]	76 7/16" [1942]	63 3/8" [1610]	CTTD2 1520	CTTD2 1620		
82 3/16" [2087]	81 7/8" [2080]	81 5/16" [2065]	78 1/4" [1987]	65 3/16" [1655]	CTTD2 1521	CTTD2 1621	CTTD2 1821	CTTD2 1821
86 7/8" [2206]	86 9/16" [2199]	86" [2184]	82 15/16" [2106]	69 7/8" [1774]	CTTD2 1570	CTTD2 1670	CTTD2 1870	CTTD2 1870
95 3/8" [2422]	95 1/16" [2415]	94 1/2" [2400]	91 7/16" [2322]	78 3/8" [1990]	CTTD2 1524	CTTD2 1624	CTTD2 1824	CTTD2 1824
98 1/4" [2496]	98" [2489]	97 3/8" [2474]	94 5/16" [2396]	81 3/4" [2077]	CTTD2 1580	CTTD2 1680	CTTD2 1880	CTTD2 1880
99 15/16" [2538]	99 5/8" [2531]	99 1/16" [2516]	96" [2438]	82 15/16" [2106]	CTTD2 1525	CTTD2 1625	CTTD2 1825	CTTD2 1825
107 3/16 [2722]	106 7/8" [2715]	106 5/16" [2700]	103 1/4" [2622]	90 3/16" [2290]	CTTD2 1527	CTTD2 1627	CTTD2 1827	CTTD2 1827
124 5/16 [3157]	124" [3150]	123 7/16" [3135]	120 3/8" [3057]	107 13/16" [2738]	CTTD2 1532	CTTD2 1632	CTTD2 1832	CTTD2 1832

1.75" Swinging Terrace & French Doors -
Standard Stile (>3") TD

Size Charts

Half Round TD1 Non-Clad

		Width						
Rough Opening Inswing with Jamb Extension		31 7/8" [809]	35 1/82" [892]	37 3/4" [959]	39 5/16" [999]	41 7/8" [1066]	44 1/4" [1133]	46 1/2" [1200]
Height	Rough Opening	31 1/4" [793]	34 1/2" [876]	37 1/8" [943]	38 11/16" [983]	41 1/4" [1051]	44 1/4" [1133]	46 1/2" [1200]
	Frame	30 1/2" [774]	33 3/4" [857]	36 3/8" [924]	37 15/16" [964]	40 1/2" [1030]	43 1/2" [1122]	46 1/2" [1214]
	Panel	28 9/16" [726]	31 7/8" [809]	34 1/2" [876]	36 1/16" [916]	39 1/4" [999]	42 1/4" [1081]	45 1/2" [1163]
	Visible Glass	19 15/16" [506]	23 3/16" [589]	25 13/16" [656]	27 3/8" [696]	30 1/2" [774]	33 3/4" [857]	36 3/8" [924]
82 3/16" [2087]	81 7/8" [2080]	81 5/16" [2065]	78 1/4" [1987]	65 11/16" [1668]	CTTD1 0721	CTTD1 0821	CTTD1 0921	CTTD1 0921
86 7/8" [2206]	86 9/16" [2199]	86" [2184]	82 15/16" [2106]	70 3/8" [1787]	CTTD1 0770	CTTD1 0870	CTTD1 0970	CTTD1 0970
95 3/8" [2422]	95 1/16" [2415]	94 1/2" [2400]	91 7/16" [2322]	78 7/8" [2003]	CTTD1 0724	CTTD1 0824	CTTD1 0924	CTTD1 0924
98 1/4" [2496]	98" [2489]	97 3/8" [2474]	94 5/16" [2396]	81 3/4" [2077]	CTTD1 0780	CTTD1 0880	CTTD1 0980	CTTD1 0980
99 15/16" [2538]	99 5/8" [2531]	99 1/16" [2516]	96" [2438]	83 7/16" [2119]	CTTD1 0725	CTTD1 0825	CTTD1 0925	CTTD1 0925
107 3/16 [2722]	106 7/8" [2715]	106 5/16" [2700]	103 1/4" [2622]	90 11/16" [2303]	CTTD1 0727	CTTD1 0827	CTTD1 0927	CTTD1 0927
124 5/16 [3157]	124" [3150]	123 7/16" [3135]	120 3/8" [3057]	107 13/16" [2738]	CTTD1 0732	CTTD1 0832	CTTD1 0932	CTTD1 0932

* Availability of half/quarter doors in metal clad may be limited. Consult you Authorized Loewen Dealer

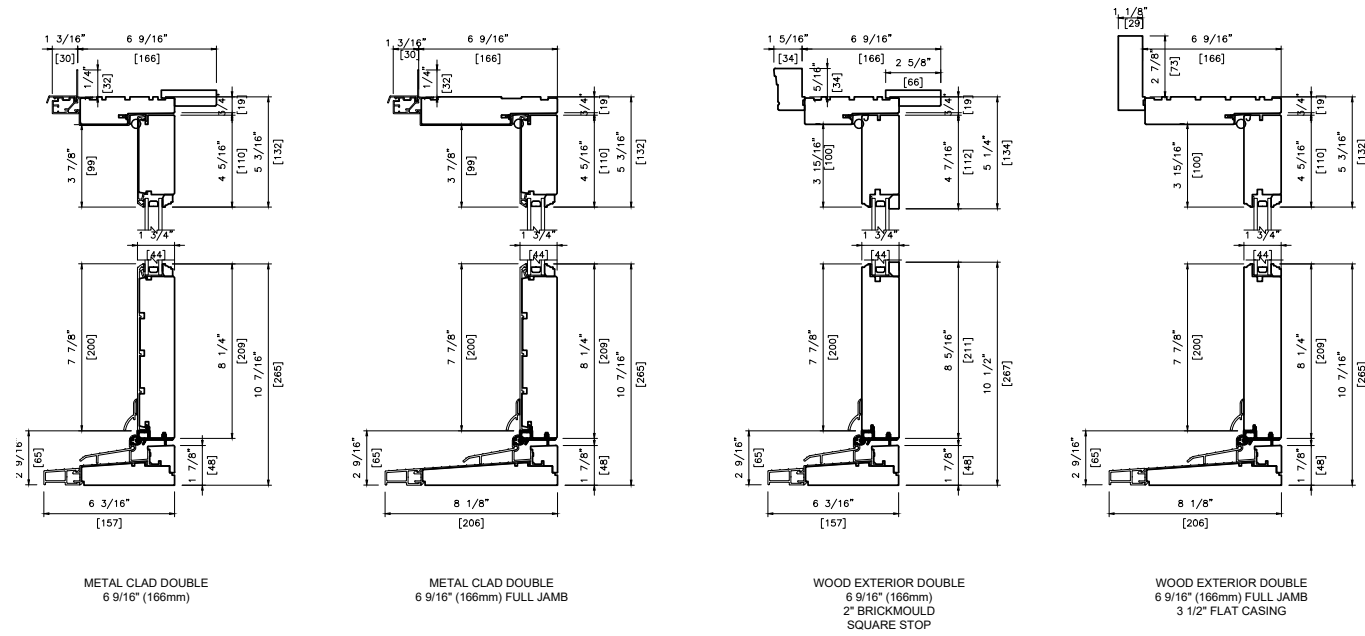
* Availability of half/quarter doors in metal clad may be limited. Consult you Authorized Loewen Dealer

1.75" Swinging Terrace & French Doors -
Standard Stile (>3") TD

Drawings

Inswing

HEAD & SILL DETAIL

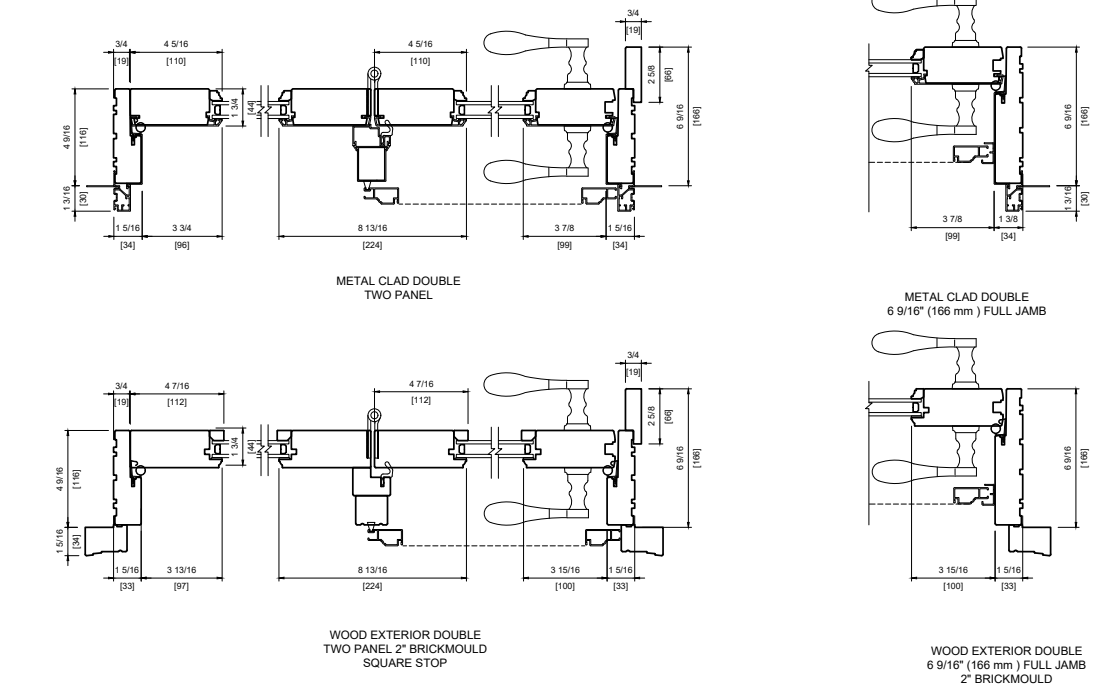


1.75" Swinging Terrace & French Doors -
Standard Stile (>3") TD

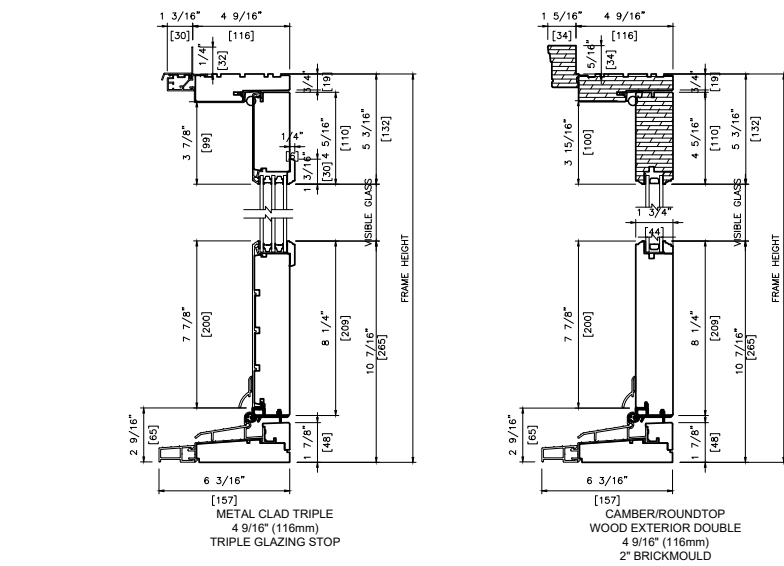
Drawings

Inswing (cont'd)

PLAN VIEW

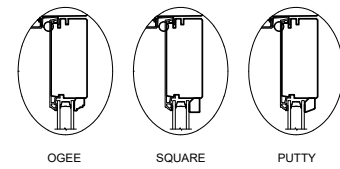


HEAD & SILL DETAIL

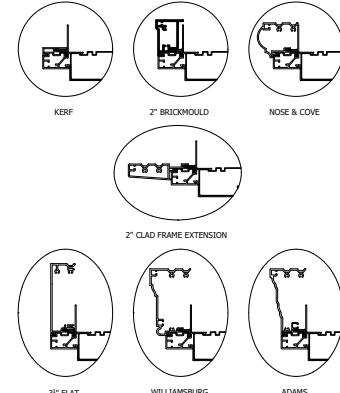


RADIUS
COMPONENT

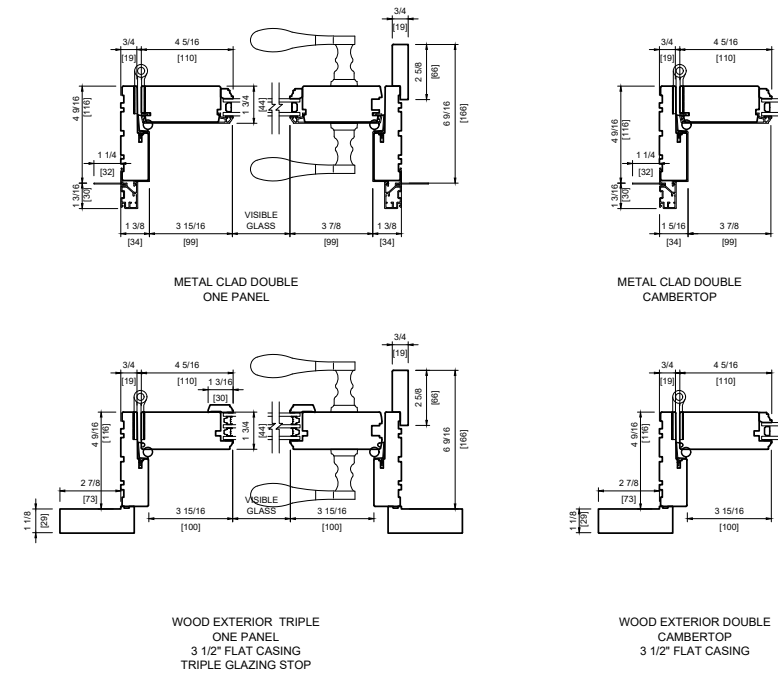
GLAZING STOP PROFILES



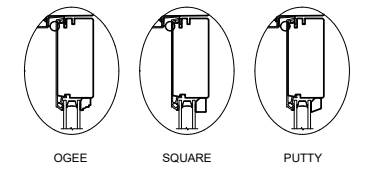
Casing



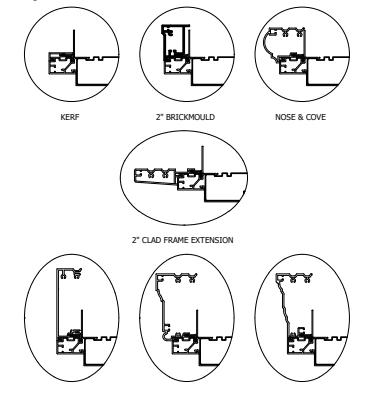
PLAN VIEW



GLAZING STOP PROFILES



Casing

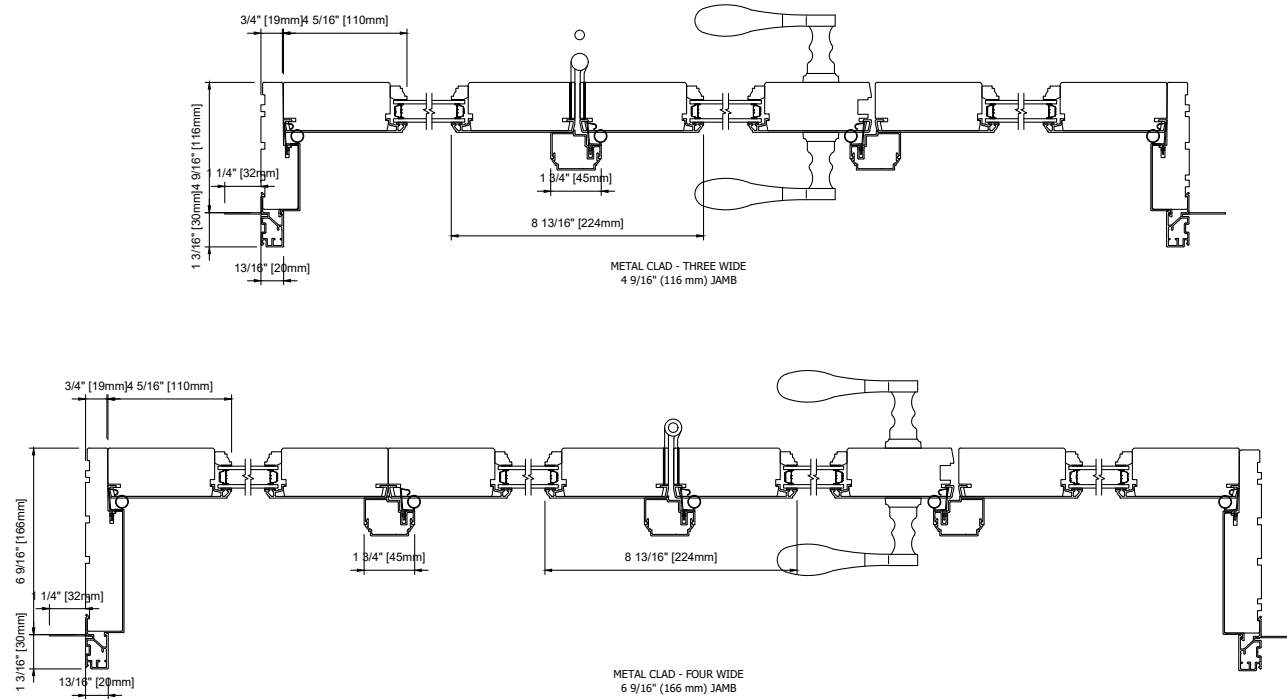


1.75" Swinging Terrace & French Doors - Standard Stile (>3") TD

Drawings

3 & 4 Wide Inswing

PLAN VIEW

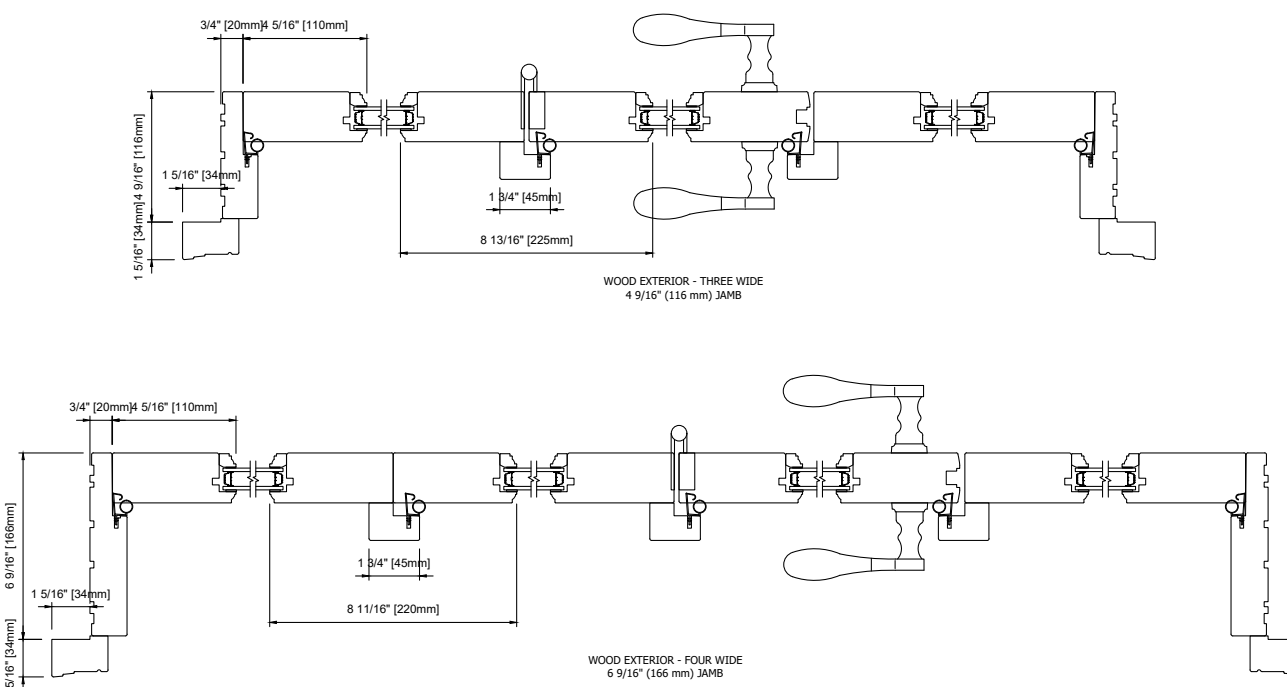
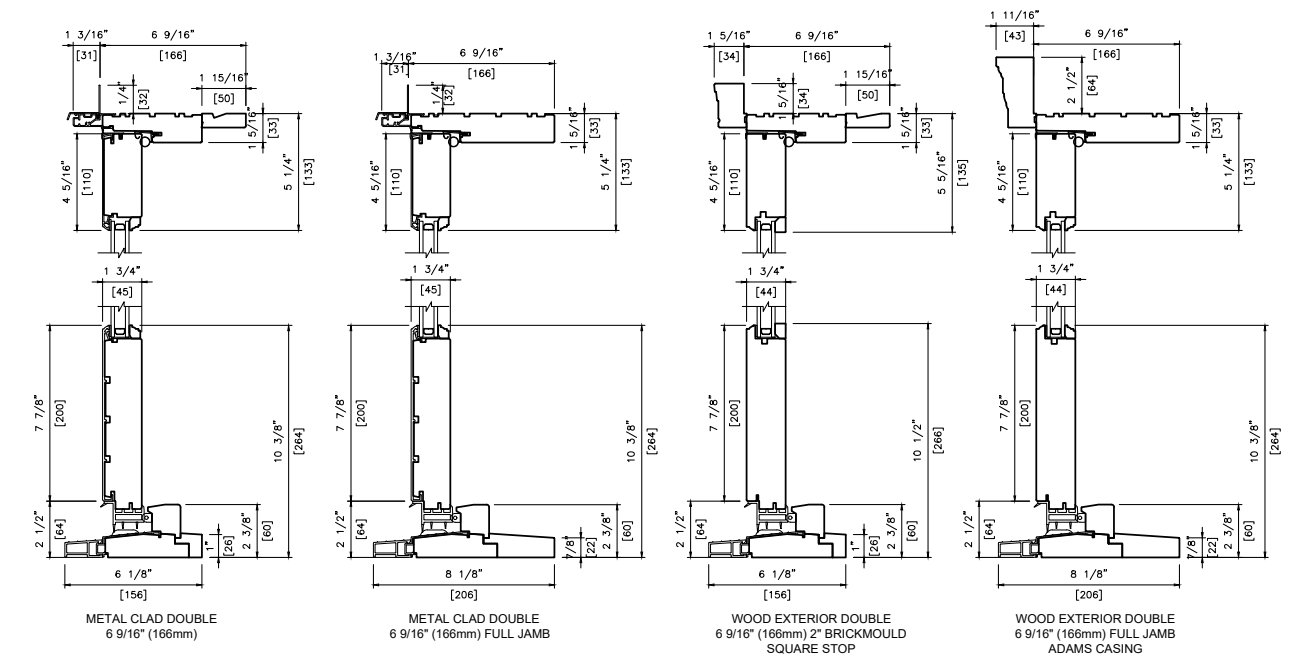


1.75" Swinging Terrace & French Doors - Standard Stile (>3") TD

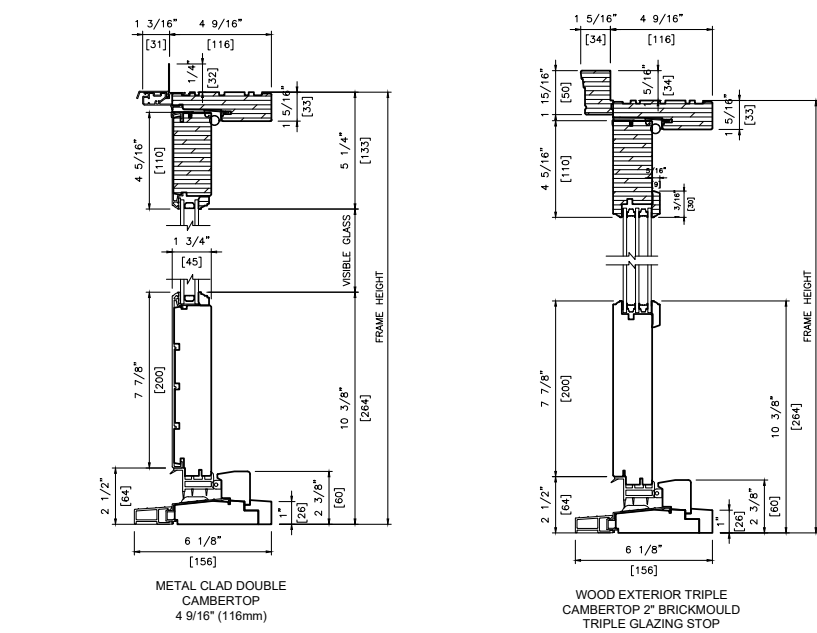
Drawings

Outswing

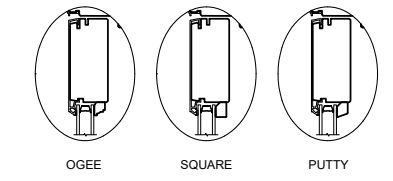
HEAD & SILL DETAILS



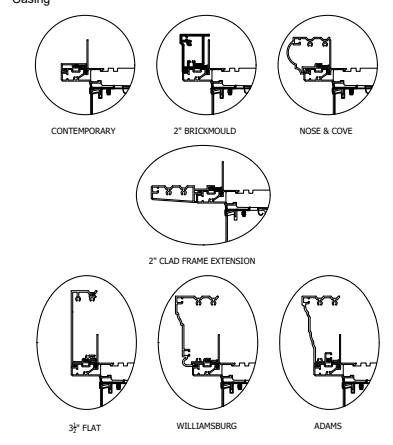
HEAD & SILL DETAILS



GLAZING STOP PROFILES



Casing



SEE PAGE A22 FOR DIMENSIONS.

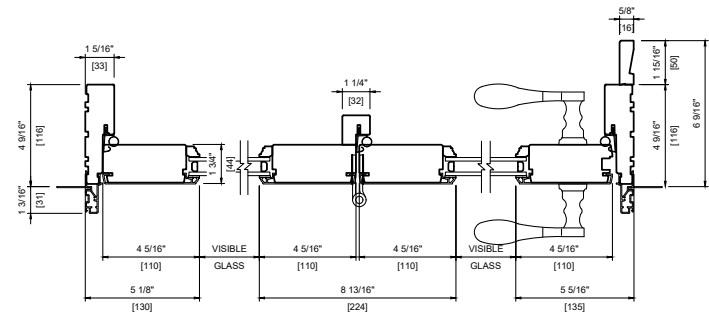
RADIUS COMPONENT

1.75" Swinging Terrace & French Doors - Standard Stile (>3") TD

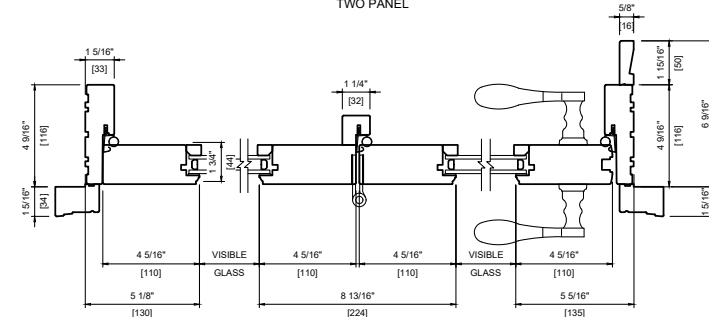
Drawings

Outswing (cont'd)

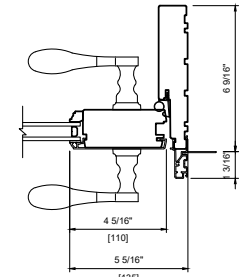
PLAN VIEW



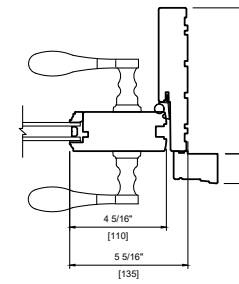
METAL CLAD DOUBLE TWO PANEL



WOOD EXTERIOR DOUBLE TWO PANEL 2 BRICKMOULD SQUARE STOP



METAL CLAD DOUBLE 6 9/16" (166 mm) FULL JAMB



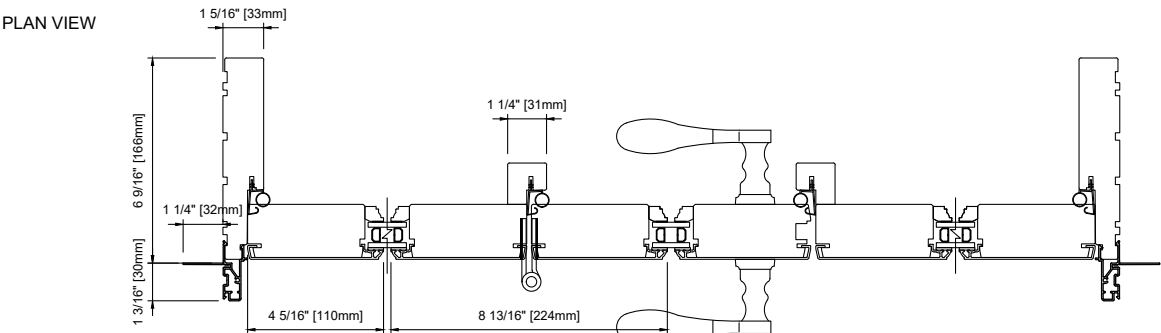
WOOD EXTERIOR DOUBLE 6 9/16" (166 mm) FULL JAMB 2" BRICKMOULD

1.75" Swinging Terrace & French Doors - Standard Stile (>3") TD

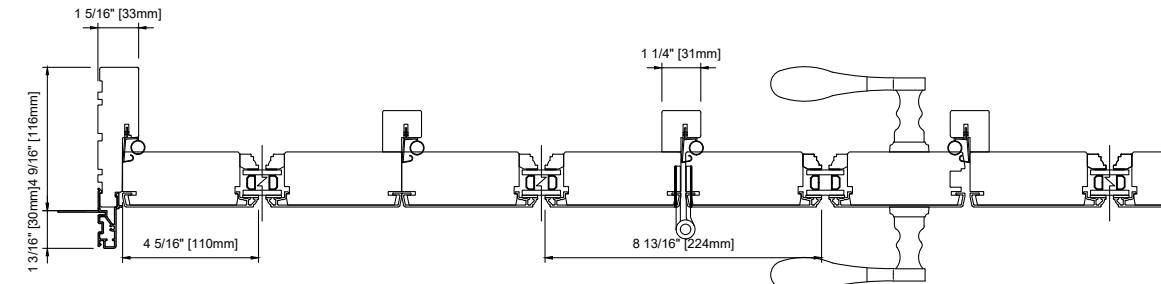
Drawings

3 & 4 Wide Outswing

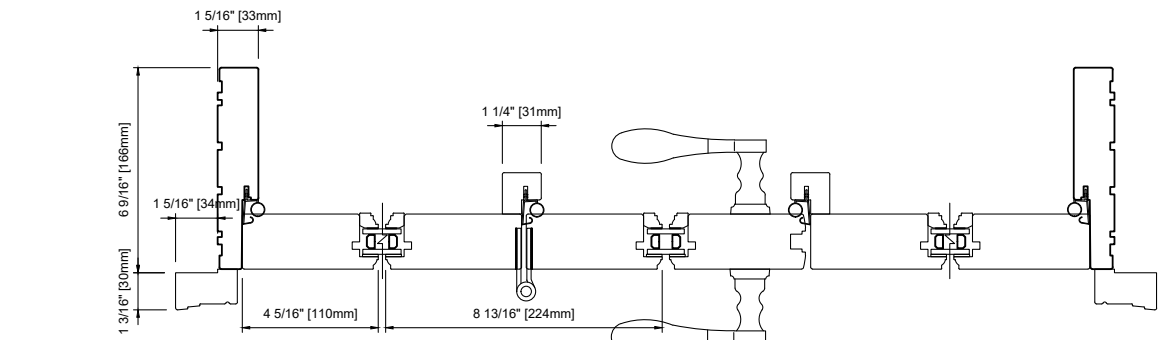
PLAN VIEW



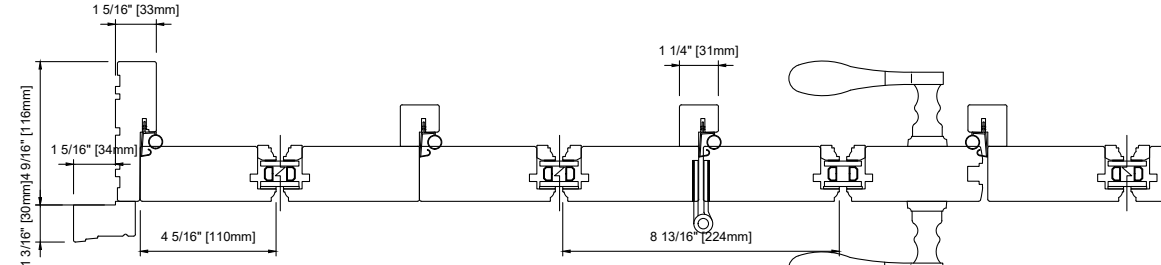
METAL CLAD - THREE WIDE 4 9/16" (116 mm) JAMB



METAL CLAD - FOUR WIDE 6 9/16" (166 mm) JAMB

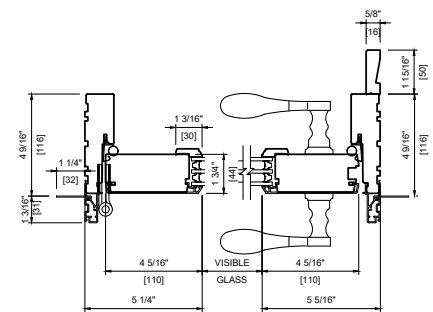


WOOD EXTERIOR - THREE WIDE 6 9/16" (166 mm) JAMB

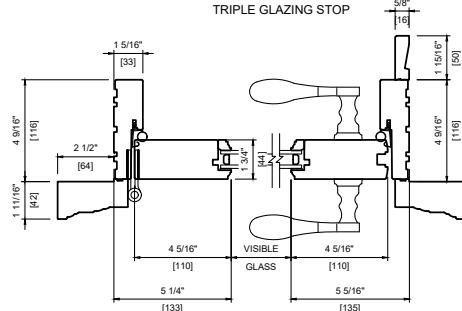


WOOD EXTERIOR - FOUR WIDE 4 9/16" (116 mm) JAMB

PLAN VIEW

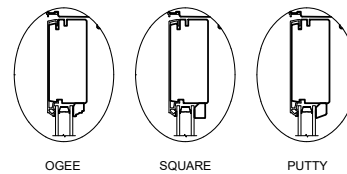


METAL CLAD TRIPLE ONE PANEL TRIPLE GLAZING STOP

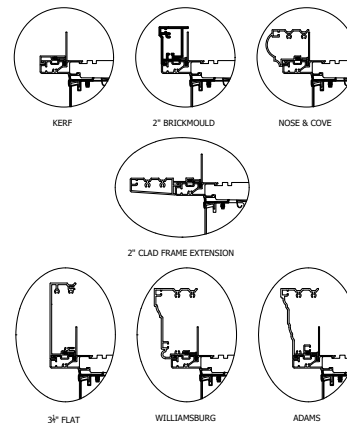


WOOD EXTERIOR DOUBLE ONE PANEL ADAMS CASING

GLAZING STOP PROFILES



Casing

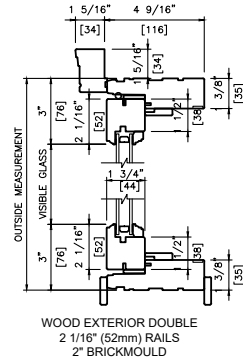
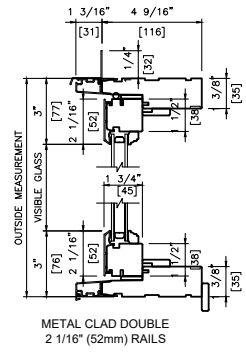


1.75" Swinging Terrace & French Doors -
Standard Stile (>3") TD

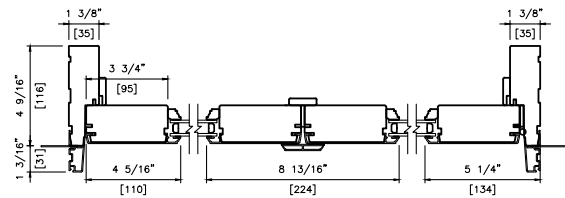
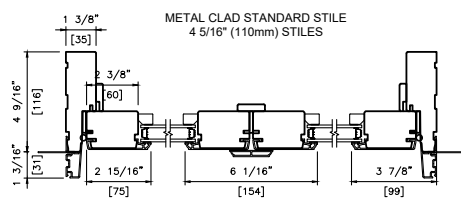
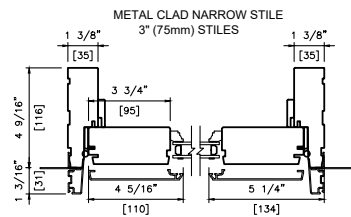
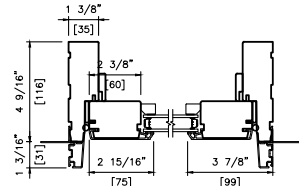
Drawings

Transom Rail

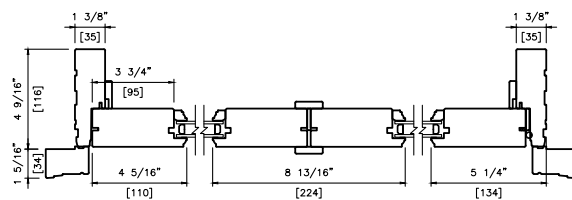
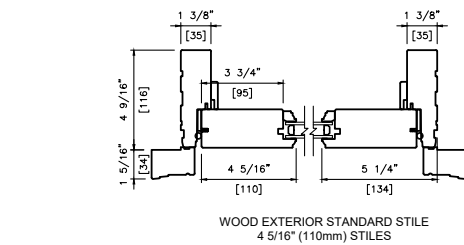
HEAD & SILL DETAIL



PLAN VIEW



METAL CLAD STANDARD STILE
4 5/16" (110mm) STILES
2-PANEL



WOOD EXTERIOR STANDARD STILE
4 5/16" (110mm) STILES
2-PANEL

1.75" Swinging Terrace & French Doors -
Narrow Stile (3") FD

Size Charts

FD2

Width

Rough Opening Inswing with Jamb Extension					47 7/8" [1216]	61 9/16" [1564]	68 1/8" [1730]	73 3/8" [1864]	76 9/16" [1944]	81 1/4" [2064]	88 7/16" [2246]
Rough Opening	Frame	Panel	Visible Glass	15	22	25	28 9/16"	27 3/8"	32 1/2"	33 3/8"	
				13/16"	11/16"	15/16"	[726]	[696]	[826]	[847]	
				[402]	[576]	[659]					
TRANSOM											
16 5/8" [422]	16 5/16" [415]	15 3/4" [400]	13 7/8" [352]	9 11/16" [246]	*FDT2 1204	*FDT2 1504	*FDT2 1604	*FDT2 1804	*FDT2 1804	*FDT2 2004	*FDT2 2204
24 1/2" [622]	24 3/16" [615]	23 5/8" [600]	21 3/4" [552]	17 9/16" [446]	*FDT2 1206	*FDT2 1506	*FDT2 1606	*FDT2 1806	*FDT2 1806	*FDT2 2006	*FDT2 2206
DOOR											
80 3/8" [2042]	80 1/8" [2035]	79 1/2" [2020]	76 7/16" [1942]	68 13/16" [1748]	FD2 1220	FD2 1520	FD2 1620	FD2 1820	FD2 1820	FD2 2020	FD2 2220
82 3/16" [2087]	81 7/8" [2080]	81 5/16" [2065]	78 1/4" [1987]	70 9/16" [1793]	FD2 1221	FD2 1521	FD2 1621	FD2 1821	FD2 1821	FD2 2021	FD2 2221
86 7/8" [2206]	86 9/16" [2199]	86" [2184]	82 15/16" [2106]	75 1/4" [1912]	FD2 1270	FD2 1570	FD2 1670	FD2 1870	FD2 1870	FD2 2070	FD2 2270
95 3/8" [2422]	95 1/16" [2415]	94 1/2" [2400]	91 7/16" [2322]	83 3/4" [2128]	FD2 1224	FD2 1524	FD2 1624	FD2 1824	FD2 1824	FD2 2024	FD2 2224
98 1/4" [2496]	98" [2489]	97 3/8" [2474]	94 5/16" [2396]	86 11/16" [2202]	FD2 1280	FD2 1580	FD2 1680	FD2 1880	FD2 1880	FD2 2080	FD2 2280
99 15/16" [2538]	99 5/8" [2531]	99 1/16" [2516]	96" [2438]	88 3/8" [2244]	FD2 1225	FD2 1525	FD2 1625	FD2 1825	FD2 1825	FD2 2025	FD2 2225
107 3/16" [2722]	106 7/8" [2715]	106 5/16" [2700]	103 1/4" [2622]	95 9/16" [2428]	FD2 1227	FD2 1527	FD2 1627	FD2 1827	FD2 1827	FD2 2027	FD2 2227

Height

* Transom units

1.75" Swinging Terrace & French Doors -
Narrow Stile (3") FD

Size Charts

FD3

					Width				
Rough Opening Inswing with Jamb Extension					90 3/16" [2290]	100" [2539]	107 7/8" [2740]		
Rough Opening					89 1/2" [2274]	99 5/16" [2523]	107 1/4" [2724]		
Frame					88 3/4" [2255]	98 9/16" [2504]	106 1/2" [2705]		
Panel					28 9/16" [726]	31 7/8" [809]	34 1/2" [876]		
Visible Glass					22 11/16" [576]	25 15/16" [659]	28 9/16" [726]		
					TRANSOM				
16 5/8" [422]	16 5/16" [415]	15 3/4" [400]	13 7/8" [352]	9 11/16" [246]	*FDT3 2204	*FDT3 2404	*FDT3 2704		
24 1/2" [622]	24 3/16" [615]	23 5/8" [600]	21 3/4" [552]	17 9/16" [446]	*FDT3 2206	*FDT3 2406	*FDT3 2706		
					DOOR				
80 3/8" [2042]	80 1/8" [2035]	79 1/2" [2020]	76 7/16" [1942]	68 13/16" [1748]	FD3 2220	FD3 2420	FD3 2720		
82 3/16" [2087]	81 7/8" [2080]	81 5/16" [2065]	78 1/4" [1987]	70 9/16" [1793]	FD3 2221	FD3 2421	FD3 2721		
86 7/8" [2206]	86 9/16" [2199]	86" [2184]	82 15/16" [2106]	75 1/4" [1912]	FD3 2270	FD3 2470	FD3 2770		
95 3/8" [2422]	95 1/16" [2415]	94 1/2" [2400]	91 7/16" [2322]	83 3/4" [2128]	FD3 2224	FD3 2424	FD3 2724		
98 1/4" [2496]	98" [2489]	97 3/8" [2474]	94 5/16" [2396]	86 11/16" [2202]	FD3 2280	FD3 2480	FD3 2780		
99 15/16" [2538]	99 5/8" [2531]	99 1/16" [2516]	96" [2438]	88 3/8" [2244]	FD3 2225	FD3 2425	FD3 2725		
107 3/16" [2722]	106 7/8" [2715]	106 5/16" [2700]	103 1/4" [2622]	95 9/16" [2428]	FD3 2227	FD3 2427	FD3 2727		

Height

* Transom units

1.75" Swinging Terrace & French Doors -
Narrow Stile (3") FD

Size Charts

FD4

					Width					
Rough Opening Inswing with Jamb Extension					118 3/4" [3016]	131 13/16" [3348]	142 3/8" [3616]	148 11/16" [3776]	158 1/8" [4016]	
Rough Opening					118 1/8" [3000]	131 3/16" [3332]	141 3/4" [3600]	148" [3760]	157 1/2" [4000]	
Frame					117 3/8" [2981]	130 7/16" [3313]	141" [3581]	147 5/16" [3741]	156 3/4" [3981]	
Panel					28 9/16" [726]	31 7/8" [809]	34 1/2" [876]	36 1/6" [916]	38 7/16" [976]	
Visible Glass					22 11/16" [576]	25 15/16" [659]	28 9/16" [726]	27 3/8" [696]	32 1/2" [826]	
					TRANSOM					
16 5/8" [422]	16 5/16" [415]	15 3/4" [400]	13 7/8" [352]	9 11/16" [246]	*FDT4 3004	*FDT4 3304	*FDT4 3604	*FDT4 3604	*FDT4 4004	
24 1/2" [622]	24 3/16" [615]	23 5/8" [600]	21 3/4" [552]	17 9/16" [446]	*FDT4 3006	*FDT4 3306	*FDT4 3606	*FDT4 3606	*FDT4 4006	
					DOOR					
80 3/8" [2042]	80 1/8" [2035]	79 1/2" [2020]	76 7/16" [1942]	68 13/16" [1748]	FD4 3020	FD4 3320	FD4 3620	FD4 3620	FD4 4020	
82 3/16" [2087]	81 7/8" [2080]	81 5/16" [2065]	78 1/4" [1987]	70 9/16" [1793]	FD4 3021	FD4 3321	FD4 3621	FD4 3621	FD4 4021	
86 7/8" [2206]	86 9/16" [2199]	86" [2184]	82 15/16" [2106]	75 1/4" [1912]	FD4 3070	FD4 3370	FD4 3670	FD4 3670	FD4 4070	
95 3/8" [2422]	95 1/16" [2415]	94 1/2" [2400]	91 7/16" [2322]	83 3/4" [2128]	FD4 3024	FD4 3324	FD4 3624	FD4 3624	FD4 4024	
98 1/4" [2496]	98" [2489]	97 3/8" [2474]	94 5/16" [2396]	86 11/16" [2202]	FD4 3080	FD4 3380	FD4 3680			
99 15/16" [2538]	99 5/8" [2531]	99 1/16" [2516]	96" [2438]	88 3/8" [2244]	FD4 3025	FD4 3325	FD4 3625			
107 3/16" [2722]	106 7/8" [2715]	106 5/16" [2700]	103 1/4" [2622]	95 9/16" [2428]	FD4 30027	FD4 3327	FD4 3627			

Height

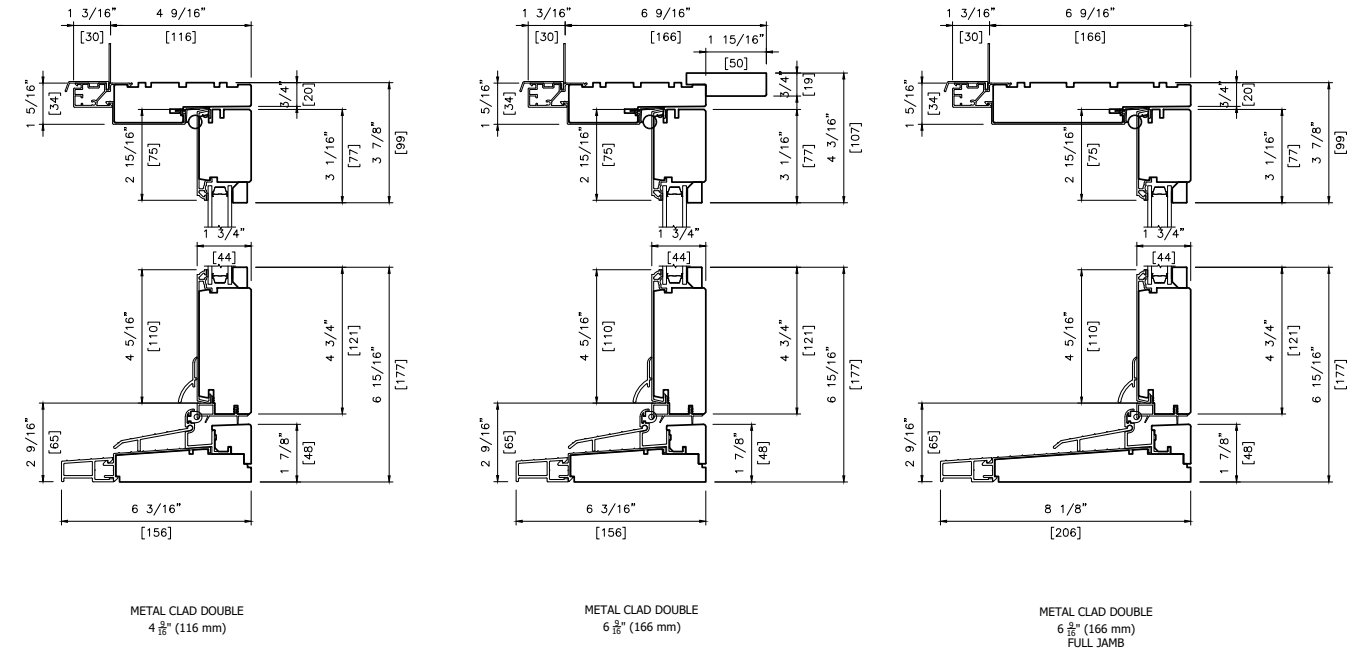
* Transom units

1.75" Swinging Terrace & French Doors -
Narrow Stile (3") FD

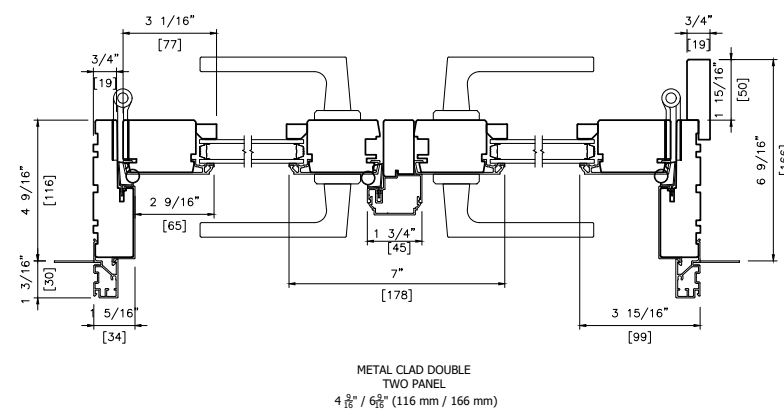
Drawings

Inswing

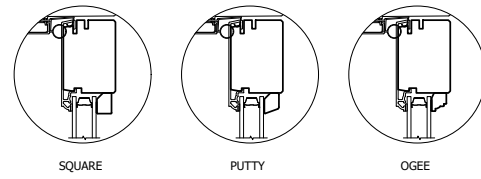
HEAD & SILL DETAIL



PLAN VIEW



GLAZING STOP PROFILES

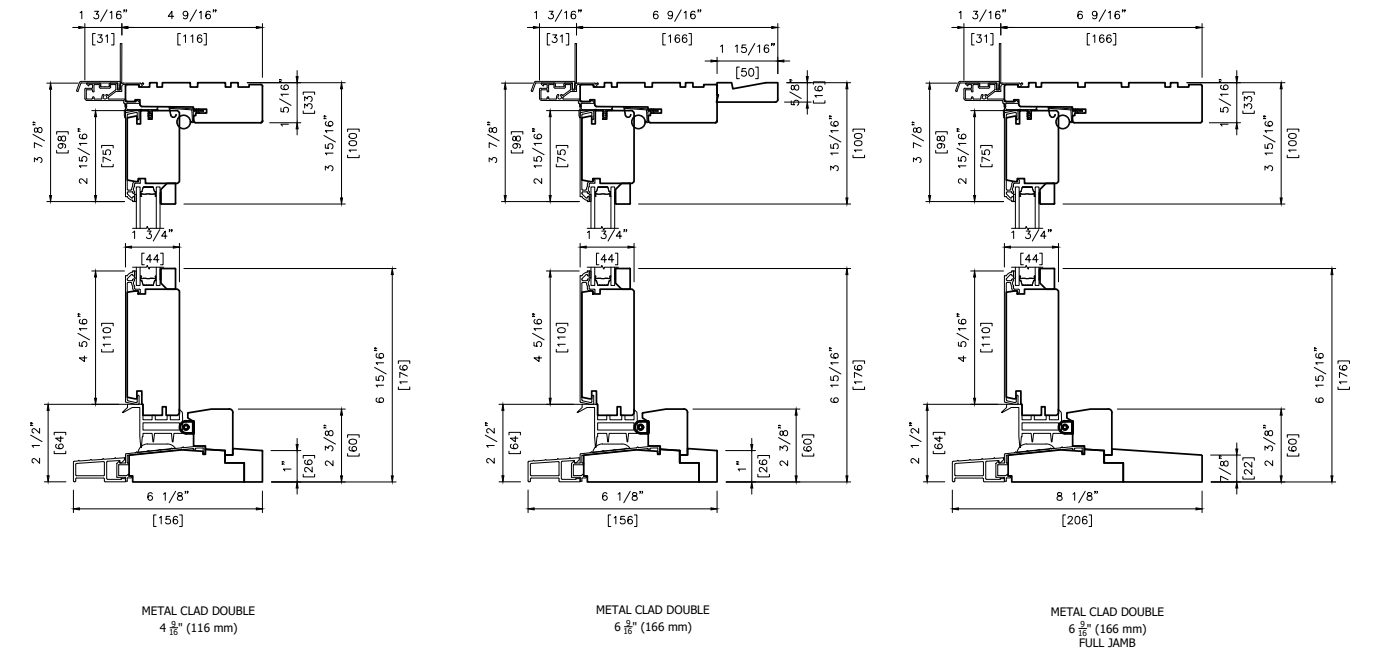


1.75" Swinging Terrace & French Doors -
Narrow Stile (3") FD

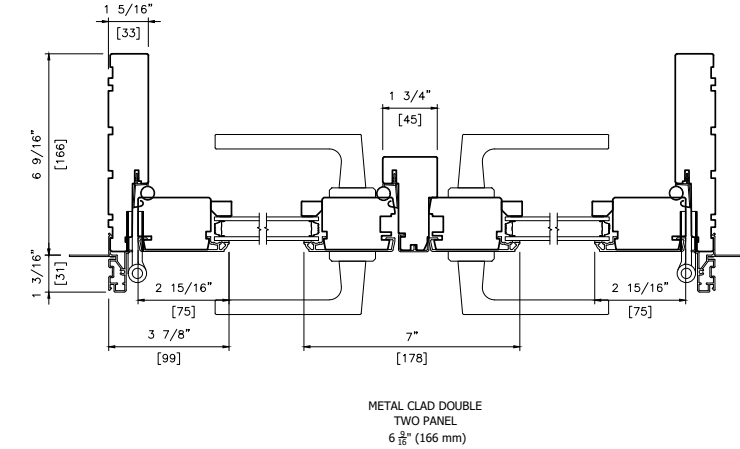
Drawings

Outswing

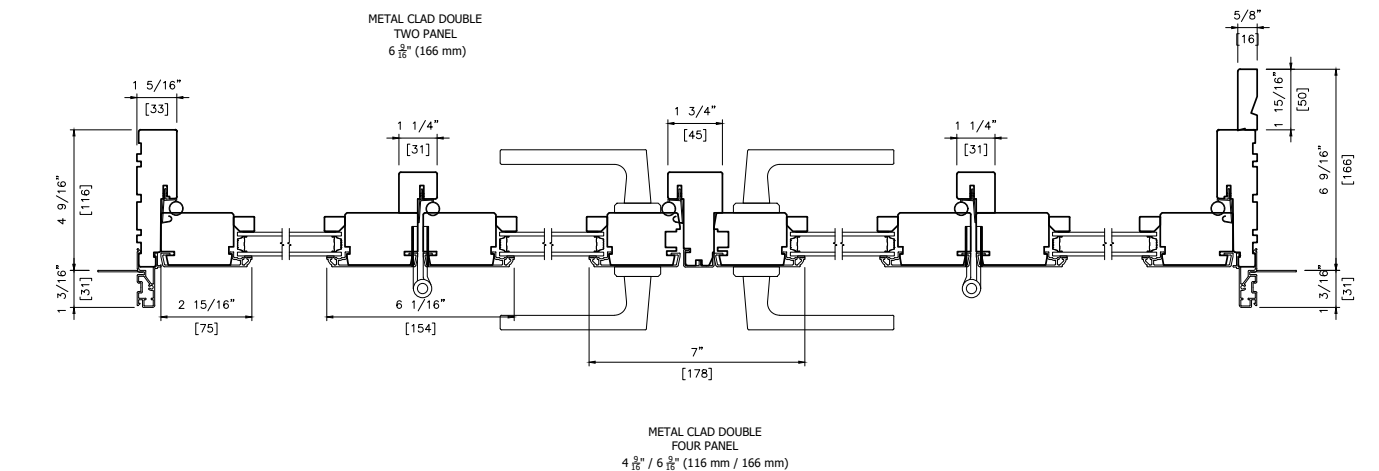
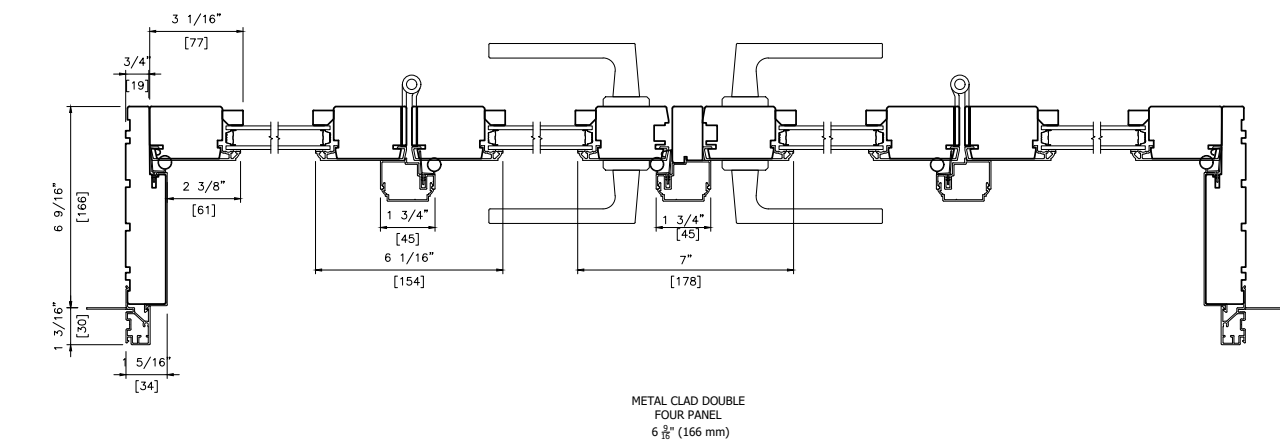
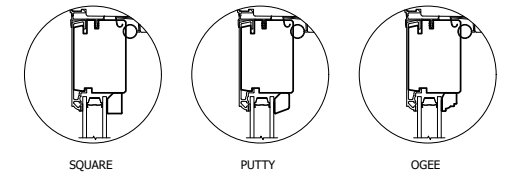
HEAD & SILL DETAIL



PLAN VIEW



GLAZING STOP PROFILES

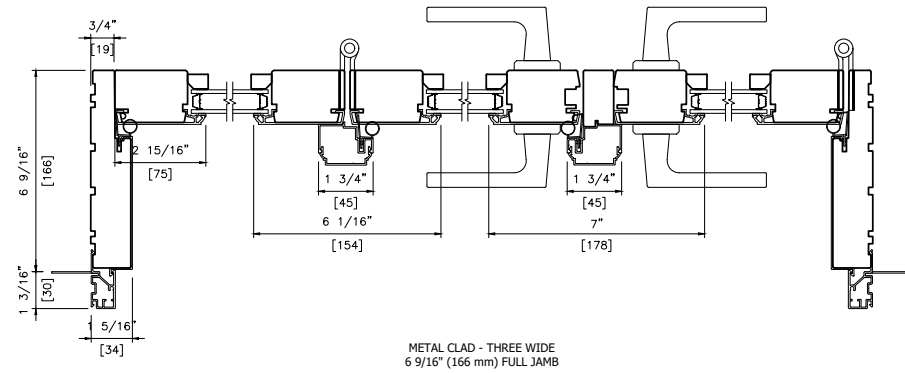


1.75" Swinging Terrace & French Doors -
Narrow Stile (3") FD

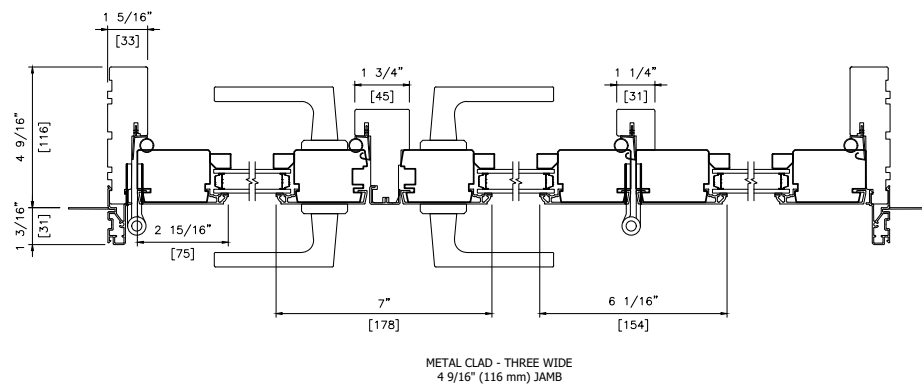
Drawings

3 Wide Inswing & Outswing

PLAN VIEW
INSWING



PLAN VIEW
OUTSWING



1.75" Swinging Terrace & French Doors -
Standard Stile (>3") FD2

Size Charts

FD2

Width

Rough Opening Inswing with Jamb Extension					47 7/8" [1216]	61 9/16" [1564]	68 1/8" [1730]	73 3/8" [1864]	76 9/16" [1944]	81 1/4" [2064]	88 7/16" [2246]
Rough Opening					47 1/4" [1200]	60 15/16" [1548]	67 1/2" [1714]	72 3/4" [1848]	75 7/8" [1928]	80 5/8" [2048]	87 13/16" [2230]
Frame					46 1/2" [1181]	60 3/16" [1529]	66 3/4" [1695]	72" [1829]	75 3/16" [1909]	79 7/8" [2029]	87 1/16" [2211]
Panel					21 3/4" [552]	28 9/16" [726]	31 7/8" [809]	34 1/2" [876]	36 1/6" [916]	38 7/16" [976]	42" [1067]
Visible Glass					13 1/16" [332]	19 15/16" [506]	23 3/16" [589]	25 13/16" [656]	27 3/8" [696]	29 3/4" [756]	33 3/8" [847]
						TRANSOM					
16 5/8" [422]	16 5/16" [415]	15 3/4" [400]	13 7/8" [352]	9 11/16" [246]	*FDT2 1204	*FDT2 1504	*FDT2 1604	*FDT2 1804	*FDT2 1804	*FDT2 2004	*FDT2 2204
24 1/2" [622]	24 3/16" [615]	23 5/8" [600]	21 3/4" [552]	17 9/16" [446]	*FDT2 1206	*FDT2 1506	*FDT2 1606	*FDT2 1806	*FDT2 1806	*FDT2 2006	*FDT2 2206
						DOOR					
80 3/8" [2042]	80 1/8" [2035]	79 1/2" [2020]	76 7/16" [1942]	63 7/8" [1623]	FD2 1220	FD2 1520	FD2 1620	FD2 1820	FD2 1820	FD2 2020	FD2 2220
82 3/16" [2087]	81 7/8" [2080]	81 5/16" [2065]	78 1/4" [1987]	65 11/16" [1668]	FD2 1221	FD2 1521	FD2 1621	FD2 1821	FD2 1821	FD2 2021	FD2 2221
86 7/8" [2206]	86 9/16" [2199]	86" [2184]	82 15/16" [2106]	70 3/8" [1787]	FD2 1270	FD2 1570	FD2 1670	FD2 1870	FD2 1870	FD2 2070	FD2 2270
95 3/8" [2422]	95 1/16" [2415]	94 1/2" [2400]	91 7/16" [2322]	78 7/8" [2003]	FD2 1224	FD2 1524	FD2 1624	FD2 1824	FD2 1824	FD2 2024	FD2 2224
98 1/4" [2496]	98" [2489]	97 3/8" [2474]	94 5/16" [2396]	81 3/4" [2077]	FD2 128	FD2 1580	FD2 1680	FD2 1880	FD2 1880	FD2 2080	FD2 2280
99 15/16" [2538]	99 5/8" [2531]	99 1/16" [2516]	96" [2438]	83 7/16" [2119]	FD2 1225	FD2 1525	FD2 1625	FD2 1825	FD2 1825	FD2 2025	FD2 2225
107 3/16 [2722]	106 7/8" [2715]	106 5/16" [2700]	103 1/4" [2622]	90 11/16" [2303]	FD2 1227	FD2 1527	FD2 1627	FD2 1827	FD2 1827	FD2 2027	FD2 2227
124 5/16 [3157]	124" [3150]	123 7/16" [3135]	120 3/8" [3057]	107 13/16" [2738]	FD2 1232	FD2 1532	FD2 1632	FD2 1832	FD2 1832	FD2 2032	

Height

* Transom units

1.75" Swinging Terrace & French Doors -
Standard Stile (>3") FD

Size Charts

FD3

					Width		
Rough Opening Inswing with Jamb Extension					90 3/16" [2290]	100" [2539]	107 7/8" [2740]
Rough Opening					89 1/2" [2274]	99 5/16" [2523]	107 1/4" [2724]
Frame					88 3/4" [2255]	98 9/16" [2504]	106 1/2" [2705]
Panel					28 9/16" [726]	31 7/8" [809]	34 1/2" [876]
Visible Glass					19 15/16" [506]	23 3/16" [589]	25 13/16" [656]
					TRANSOM		
16 5/8" [422]	16 5/16" [415]	15 3/4" [400]	13 7/8" [352]	9 11/16" [246]	*FDT3 2204	*FDT3 2404	*FDT3 2704
24 1/2" [622]	24 3/16" [615]	23 5/8" [600]	21 3/4" [552]	17 9/16" [446]	*FDT3 2206	*FDT3 2406	*FDT3 2706
					DOORS		
80 3/8" [[2042]]	80 1/8" [[2035]]	79 1/2" [[2020]]	76 7/16" [1942]	63 7/8" [1623]	FD3 2220	FD3 2420	FD3 2720
82 3/16" [2087]	81 7/8" [2080]	81 5/16" [2065]	78 1/4" [1987]	65 11/16" [1668]	FD3 2221	FD3 2421	FD3 2721
86 7/8" [2206]	86 9/16" [2199]	86" [2184]	82 15/16" [2106]	70 3/8" [1787]	FD3 2270	FD3 2470	FD3 2770
95 3/8" [2422]	95 1/16" [2415]	94 1/2" [2400]	91 7/16" [2322]	78 7/8" [2003]	FD3 2224	FD3 2424	FD3 2724
98 1/4" [2496]	98" [2489]	97 3/8" [2474]	94 5/16" [2396]	81 3/4" [2077]	FD3 2280	FD3 2480	FD3 2780
99 15/16" [2538]	99 5/8" [2531]	99 1/16" [2516]	96" [2438]	83 7/16" [2119]	FD3 2225	FD3 2425	FD3 2725
107 3/16" [2722]	106 7/8" [2715]	106 5/16" [2700]	103 1/4" [2622]	90 11/16" [2303]	FD3 2227	FD3 2427	FD3 2727

Height

1.75" Swinging Terrace & French Doors -
Standard Stile (>3") FD

Size Charts

FD4

					Width						
Rough Opening Inswing with Jamb Extension					91 5/16" [2320]	118 3/4" [3016]	131 13/16" [3348]	142 3/8" [3616]	148 11/16" [3776]	158 1/8" [4016]	172 7/16" [4380]
Rough Opening					90 11/16" [2304]	118 1/8" [3000]	131 3/16" [3332]	141 3/4" [3600]	148" [3760]	157 1/2" [4000]	171 13/16" [4364]
Frame					89 15/16" [2285]	117 3/8" [2981]	130 7/16" [3313]	141" [3581]	147 5/16" [3741]	156 3/4" [3981]	171 1/16" [4345]
Panel					21 3/4" [552]	28 9/16" [726]	31 7/8" [809]	34 1/2" [876]	36 1/6" [916]	38 7/16" [976]	42" [1067]
Visible Glass					13 1/16" [332]	19 15/16" [506]	23 3/16" [589]	25 13/16" [656]	27 3/8" [696]	29 3/4" [756]	33 3/8" [847]
					TRANSOM						
16 5/8" [422]	16 5/16" [415]	15 3/4" [400]	13 7/8" [352]	9 11/16" [246]	*FDT4 2304	*FDT4 3004	*FDT4 3304	*FDT4 3604	*FDT4 3604	*FDT4 4004	*FDT4 4304
24 1/2" [622]	24 3/16" [615]	23 5/8" [600]	21 3/4" [552]	17 9/16" [446]	*FDT4 2306	*FDT4 3006	*FDT4 3306	*FDT4 3606	*FDT4 3606	*FDT4 4006	*FDT4 4306
					DOOR						
80 3/8" [2042]	80 1/8" [2035]	79 1/2" [2020]	76 7/16" [1942]	63 7/8" [1623]	FD4 2320	FD4 3020	FD4 3320	FD4 3620	FD4 3620	FD4 4020	FD4 4320
82 3/16" [2087]	81 7/8" [2080]	81 5/16" [2065]	78 1/4" [1987]	65 11/16" [1668]	FD4 2321	FD4 3021	FD4 3321	FD4 3621	FD4 3621	FD4 4021	FD4 4321
86 7/8" [2206]	86 9/16" [2199]	86" [2184]	82 15/16" [2106]	70 3/8" [1787]	FD4 2370	FD4 3070	FD4 3370	FD4 3670	FD4 3670	FD4 4070	FD4 4370
95 3/8" [2422]	95 1/16" [2415]	94 1/2" [2400]	91 7/16" [2322]	78 7/8" [2003]	FD4 2324	FD4 3024	FD4 3324	FD4 3624	FD4 3624	FD4 4024	FD4 4324
98 1/4" [2496]	98" [2489]	97 3/8" [2474]	94 5/16" [2396]	81 3/4" [2077]	FD4 2380	FD4 3080	FD4 3380	FD4 3680	FD4 3680	FD4 4080	FD4 4380
99 15/16" [2538]	99 5/8" [2531]	99 1/16" [2516]	96" [2438]	83 7/16" [2119]	FD4 2325	FD4 3025	FD4 3325	FD4 3625	FD4 3625	FD4 4025	FD4 4325
107 3/16" [2722]	106 7/8" [2715]	106 5/16" [2700]	103 1/4" [2622]	90 11/16" [2303]	FD4 2327	FD4 30027	FD4 3327	FD4 3627	FD4 3627	FD4 4027	FD4 4327

Height

* Transom units

* Transom units

1.75" Swinging Terrace & French Doors -
Standard Stile (>3") FD

Size Charts

Cambertop FD2

Width

		Rough Opening Inswing with Jamb Extension				47 7/8"	61 9/16"	68 1/8"	73 3/8"	76 9/16"	81 1/4"	88 7/16"	
						[1216]	[1564]	[1730]	[1864]	[1944]	[2064]	[2246]	
		Rough Opening						47 1/4"	60 15/16"	67 1/2"	72 3/4"	80 5/8"	87 13/16"
								[1200]	[1548]	[1714]	[1848]	[2048]	[2230]
		Frame						46 1/2"	60 3/16"	66 3/4"	72"	75 3/16"	87 1/16"
						[1181]	[1529]	[1695]	[1829]	[1909]	[2029]	[2211]	
Panel						21 3/4"	28 9/16"	31 7/8"	34 1/2"	36 1/6"	38 7/16"	42"	
						[552]	[726]	[809]	[876]	[916]	[976]	[1067]	
Visible Glass						13 1/16"	19 15/16"	23 3/16"	25 13/16"	27 3/8"	29 3/4"	33 3/8"	
						[332]	[506]	[589]	[656]	[696]	[756]	[847]	
80 3/8"	80 1/8"	79 1/2"	76 7/16"	63 7/8"	FD2	FD2	FD2	FD2	FD2	FD2	FD2		
[2042]	[2035]	[2020]	[1942]	[1623]	1220	1520	1620	1820	1820	2020	2220		
82 3/16"	81 7/8"	81 5/16"	78 1/4"	65 11/16"	FD2	FD2	FD2	FD2	FD2	FD2	FD2		
[2087]	[2080]	[2065]	[1987]	[1668]	1221	1521	1621	1821	1821	2021	2221		
86 7/8"	86 9/16"	86"	82 15/16"	70 3/8"	FD2	FD2	FD2	FD2	FD2	FD2	FD2		
[2206]	[2199]	[2184]	[2106]	[1787]	1270	1570	1670	1870	1870	2070	2270		
95 3/8"	95 1/16"	94 1/2"	91 7/16"	78 7/8"	FD2	FD2	FD2	FD2	FD2	FD2	FD2		
[2422]	[2415]	[2400]	[2322]	[2003]	1224	1524	1624	1824	1824	2024	2224		
98 1/4"	98"	97 3/8"	94 5/16"	81 3/4"	FD2	FD2	FD2	FD2					
[2496]	[2489]	[2474]	[2396]	[2077]	1280	1580	1680	1880					
99 15/16"	99 5/8"	99 1/16"	96"	83 7/16"	FD2	FD2	FD2	FD2					
[2538]	[2531]	[2516]	[2438]	[2119]	1225	1525	1625	1825					
107 3/16"	106 7/8"	106 5/16"	103 1/4"	90 11/16"	FD2	FD2	FD2	FD2					
[2722]	[2715]	[2700]	[2622]	[2303]	1227	1527	1627	1827					
124 5/16"	124"	123 7/16"	120 3/8"	107 13/16"	FD2	FD2	FD2	FD2					
[3157]	[3150]	[3135]	[3057]	[2738]	1232	1532	1632	1832					

Height

1.75" Swinging Terrace & French Doors -
Standard Stile (>3") FD

Size Charts

Cambertop FD4

Width

		Rough Opening Inswing with Jamb Extension				91 5/16"	118 3/4"	131 13/16"	142 3/8"	148 11/16"	158 1/8"	172 7/16"	
						[2320]	[3016]	[3348]	[3616]	[3776]	[4016]	[4380]	
		Rough Opening						90 11/16"	118 1/8"	131 3/16"	141 3/4"	148"	157 1/2"
								[2304]	[3000]	[3332]	[3600]	[3760]	[4000]
		Frame						89 15/16"	117 3/8"	130 7/16"	141"	147 5/16"	156 3/4"
						[2285]	[2981]	[3313]	[3581]	[3741]	[3981]		
Panel						21 3/4"	28 9/16"	31 7/8"	34 1/2"	36 1/6"	38 7/16"	42"	
						[552]	[726]	[809]	[876]	[916]	[976]	1067	
Visible Glass						13 1/16"	19 15/16"	23 3/16"	25 13/16"	27 3/8"	29 3/4"	33 3/8"	
						[332]	[506]	[589]	[656]	[696]	[756]	[847]	
80 3/8"	80 1/8"	79 1/2"	76 7/16"	63 3/4"	FD4	FD4	FD4	FD4	FD4	FD4	FD4		
[2042]	[2035]	[2020]	[1942]	[1619]	2320	3020	3320	3620	3620	4020	4320		
82 3/16"	81 7/8"	81 5/16"	78 1/4"	65 1/2"	FD4	FD4	FD4	FD4	FD4	FD4	FD4		
[2087]	[2080]	[2065]	[1987]	[1664]	2321	3021	3321	3621	3621	4021	4321		
86 7/8"	86 9/16"	86"	82 15/16"	70 3/16"	FD4	FD4	FD4	FD4	FD4	FD4	FD4		
[2206]	[2199]	[2184]	[2106]	[1783]	2370	3070	3370	3670	3670	4070	4370		
95 3/8"	95 1/16"	94 1/2"	91 7/16"	78 3/4"	FD4	FD4	FD4	FD4	FD4	FD4	FD4		
[2422]	[2415]	[2400]	[2322]	[1999]	2324	3024	3324	3624	3624	4024	4324		
98 1/4"	98"	97 3/8"	94 5/16"	81 3/4"	FD4	FD4	FD4	FD4					
[2496]	[2489]	[2474]	[2396]	[2077]	2380	3080	3380	3680					
99 15/16"	99 5/8"	99 1/16"	96"	83 5/16"	FD4	FD4	FD4	FD4					
[2538]	[2531]	[2516]	[2438]	[2115]	2325	3025	3325	3625					
107 3/16"	106 7/8"	106 5/16"	103 1/4"	90 1/2"	FD4	FD4	FD4	FD4					
[2722]	[2715]	[2700]	[2622]	[2299]	2327	30027	3327	3627					

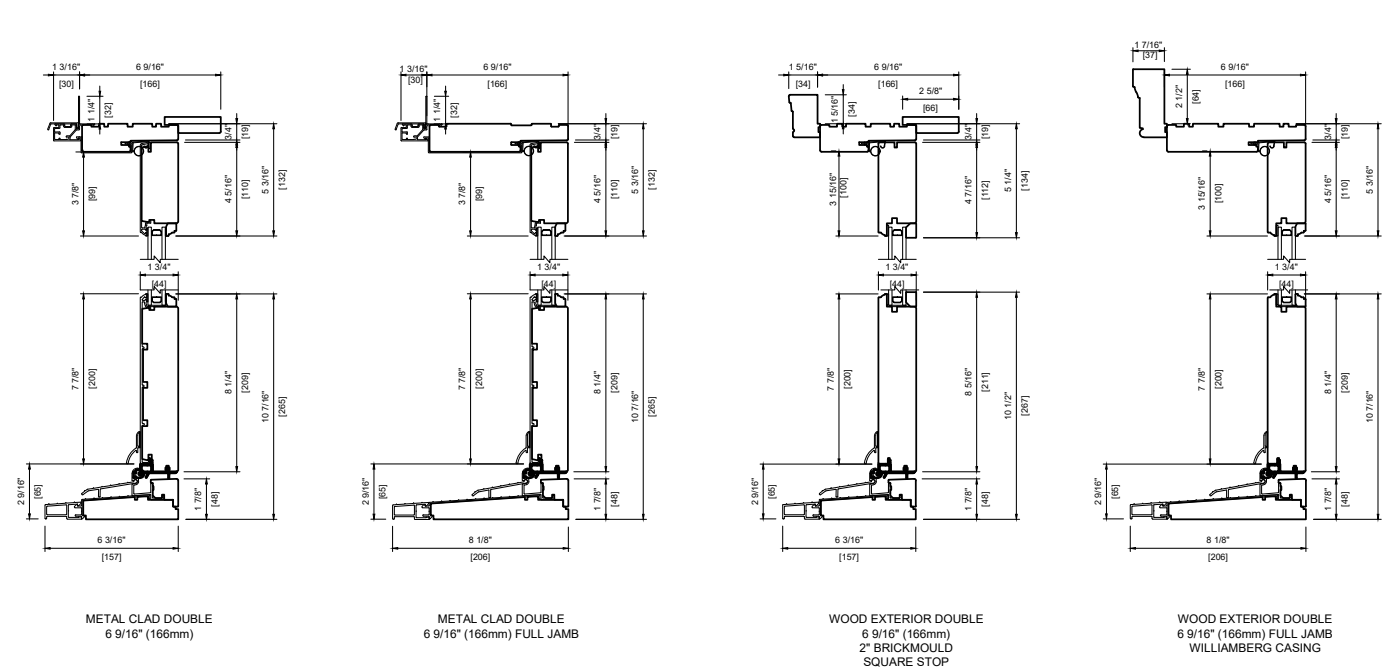
Height

1.75" Swinging Terrace & French Doors -
Standard Stile (>3") FD

Drawings

Inswing

HEAD & SILL DETAIL

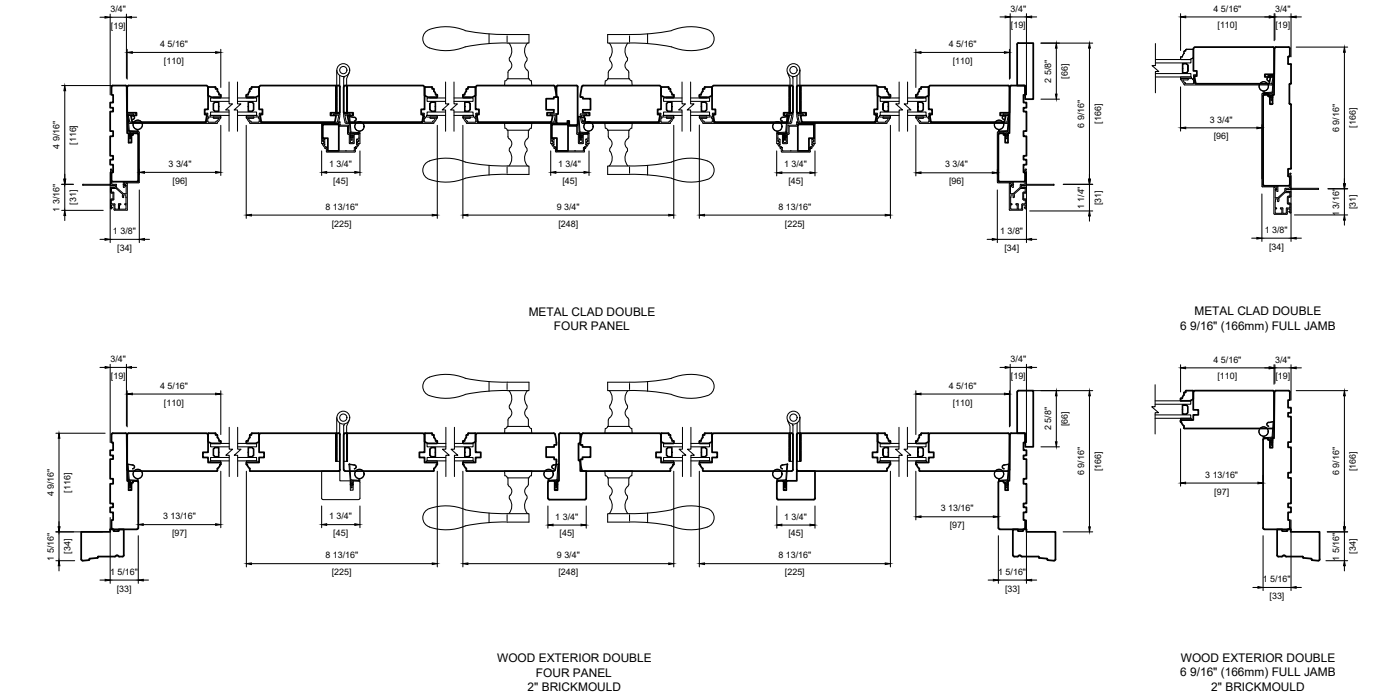


1.75" Swinging Terrace & French Doors -
Standard Stile (>3") FD

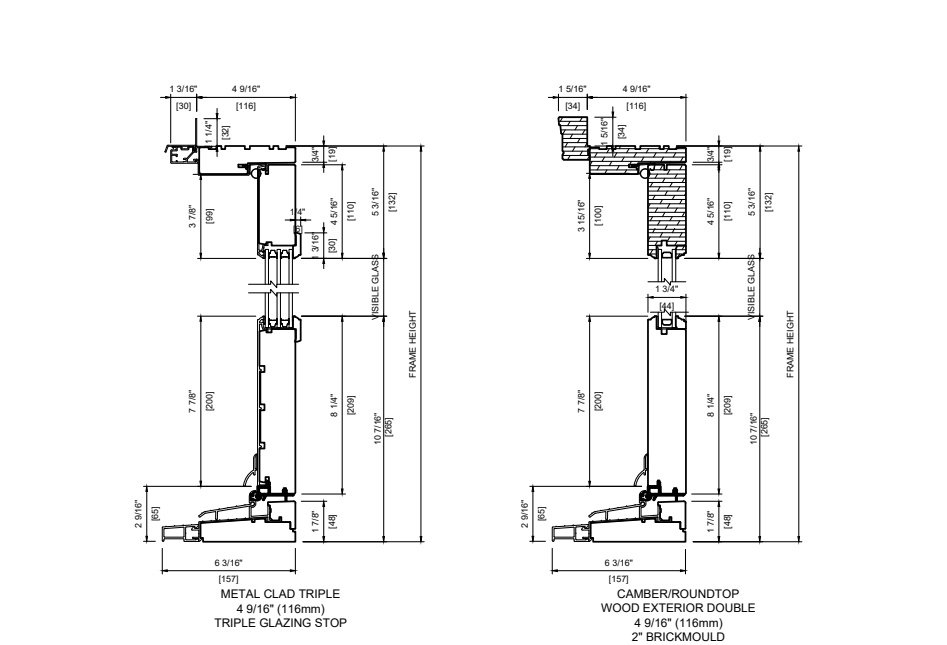
Drawings

Inswing (cont'd)

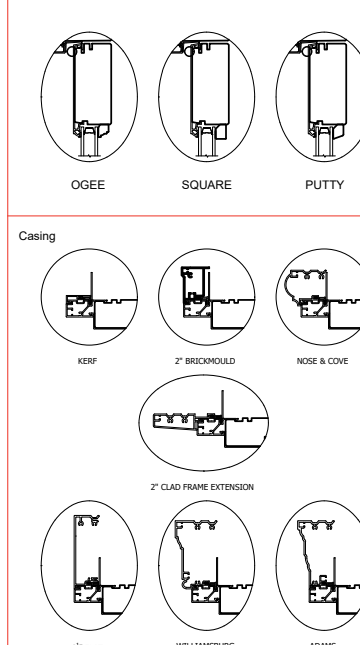
PLAN VIEW



HEAD & SILL DETAIL

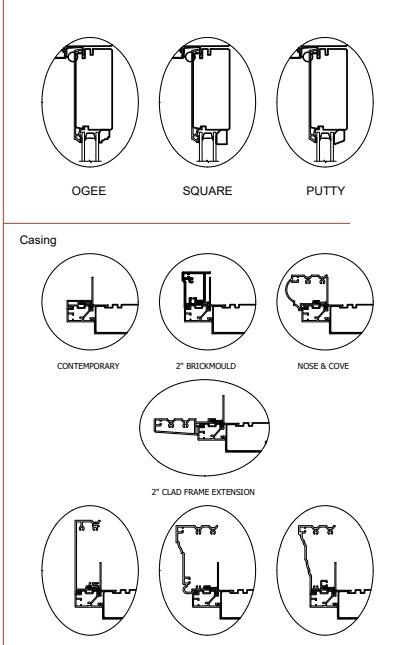


GLAZING STOP PROFILES



RADIUS COMPONENT

GLAZING STOP PROFILES

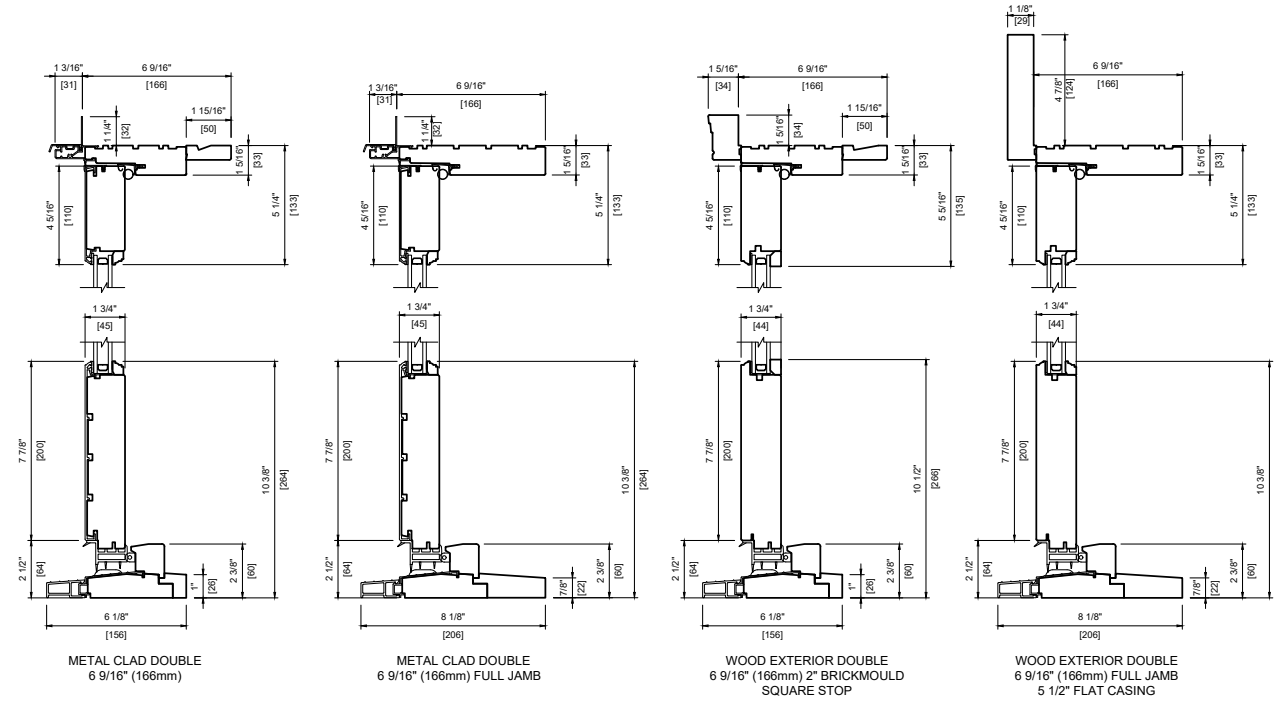


1.75" Swinging Terrace & French Doors -
Standard Stile (>3") FD

Drawings

Outswing

HEAD & SILL DETAILS

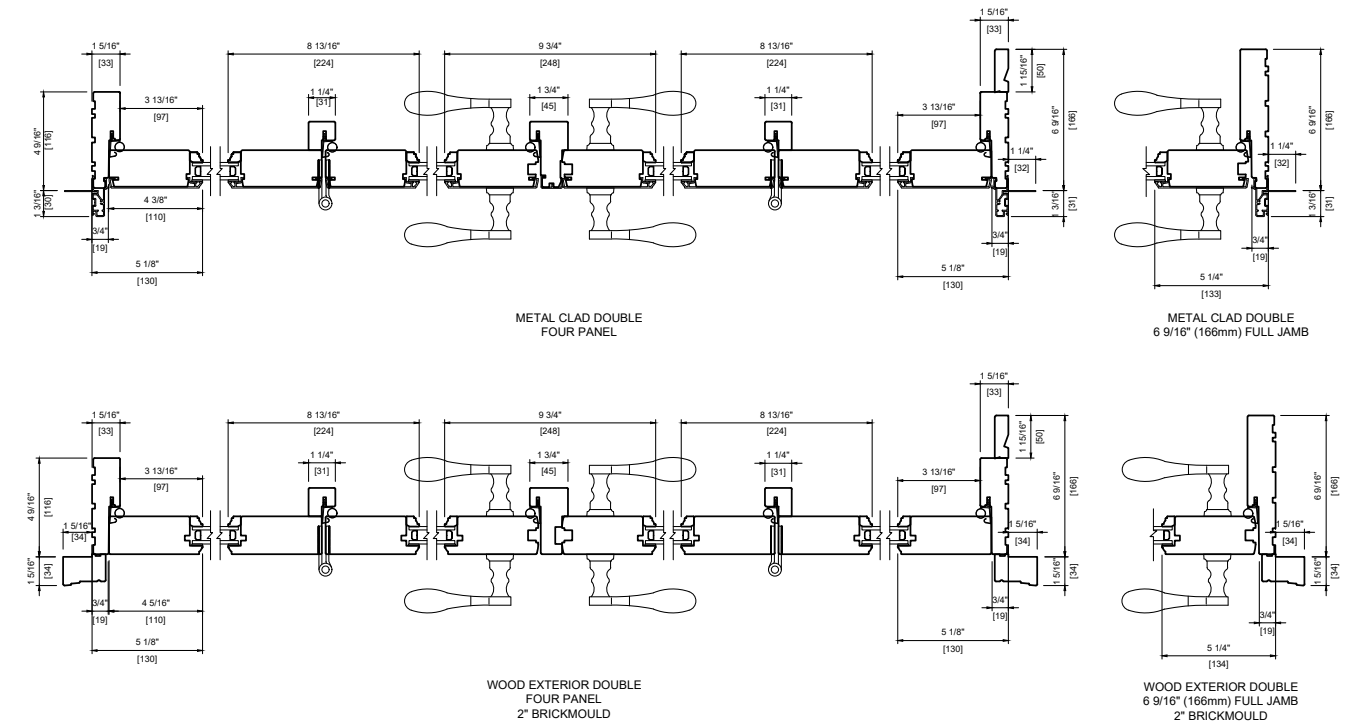


1.75" Swinging Terrace & French Doors -
Standard Stile (>3") FD

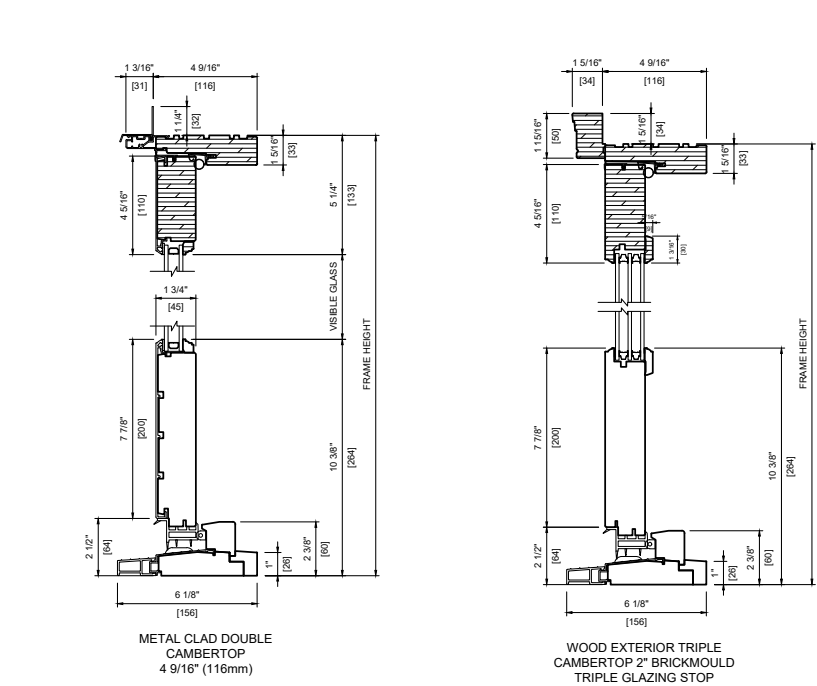
Drawings

Outswing (cont'd)

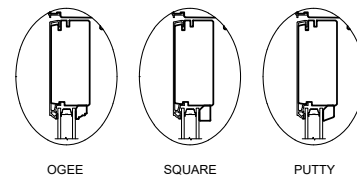
PLAN VIEW



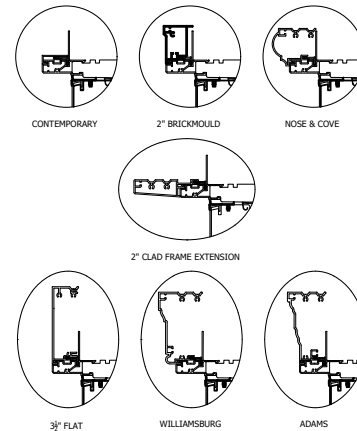
HEAD & SILL DETAILS



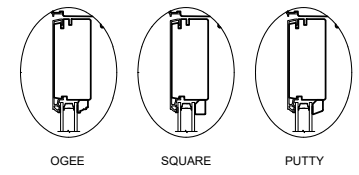
GLAZING STOP PROFILES



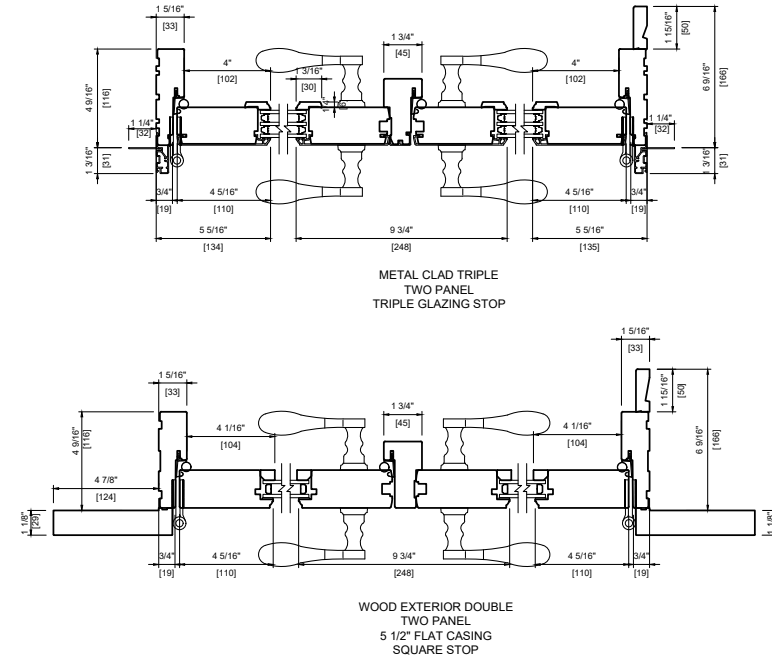
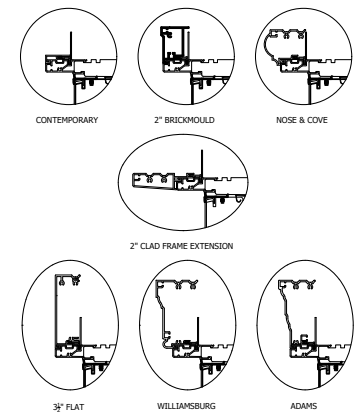
Casing



GLAZING STOP PROFILES



Casing

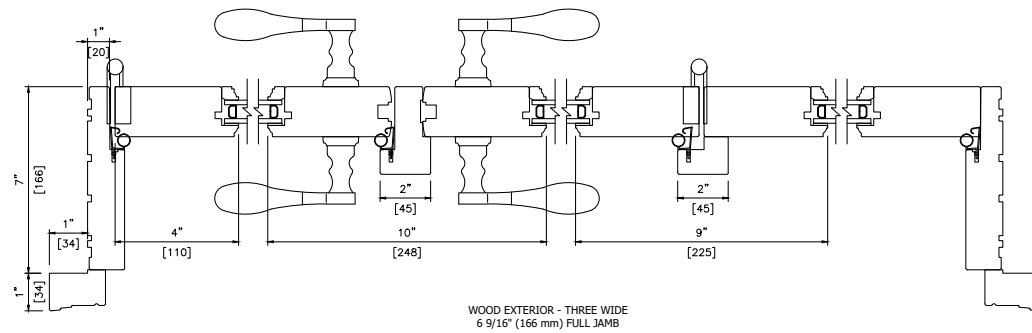
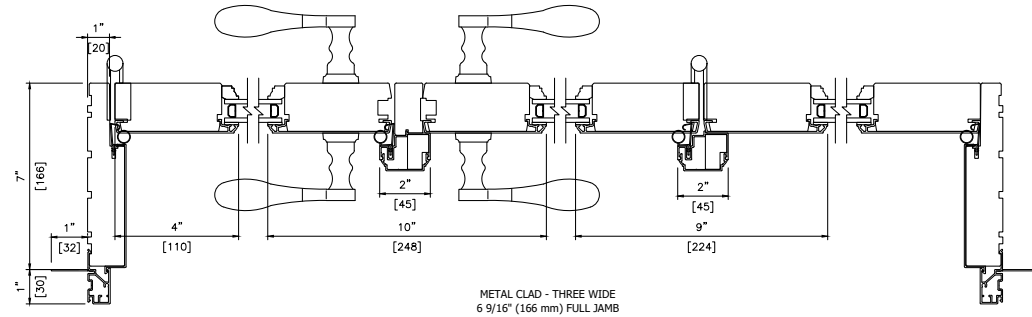


1.75" Swinging Terrace & French Doors -
Standard Stile (>3") FD

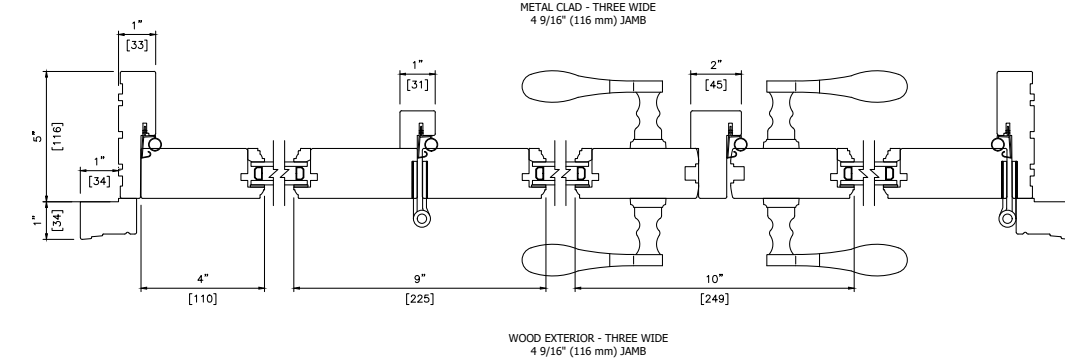
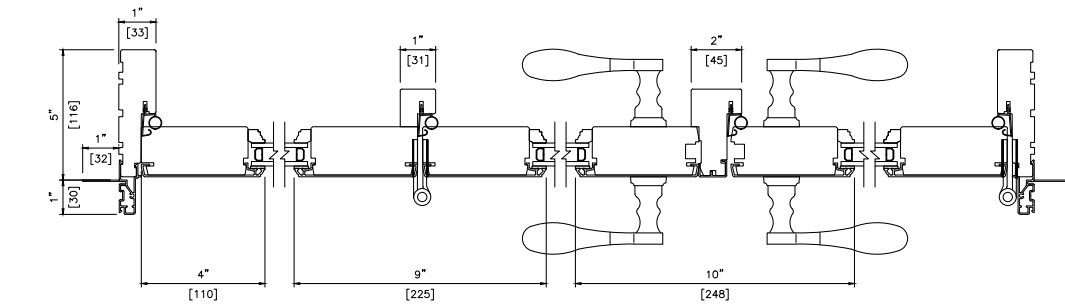
Drawings

3 Wide Inswing & Outswing

PLAN VIEW
INSWING



PLAN VIEW
OUTSWING

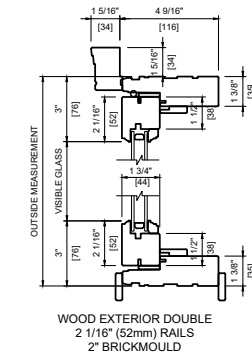
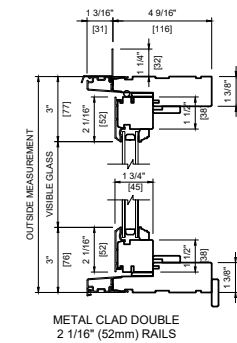


1.75" Swinging Terrace & French Doors -
Standard Stile (>3") FD

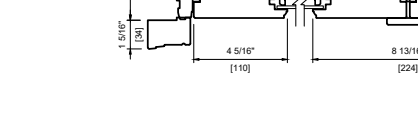
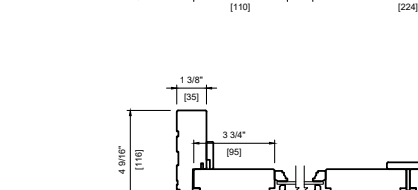
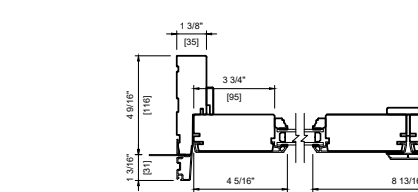
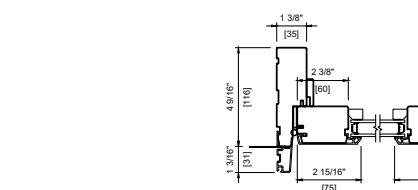
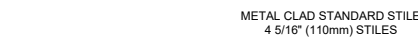
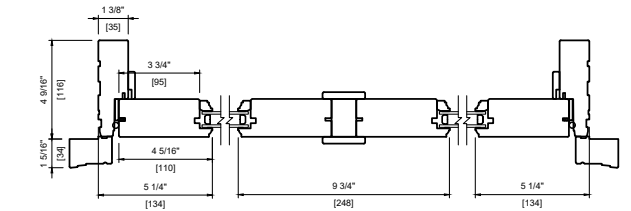
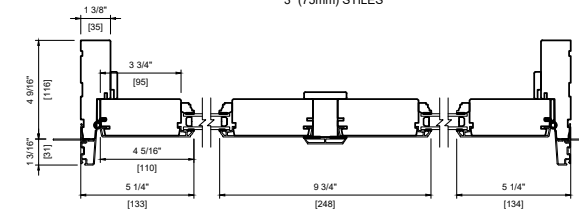
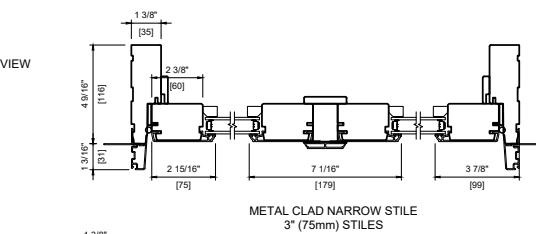
Drawings

Transom

HEAD & SILL DETAIL



PLAN VIEW

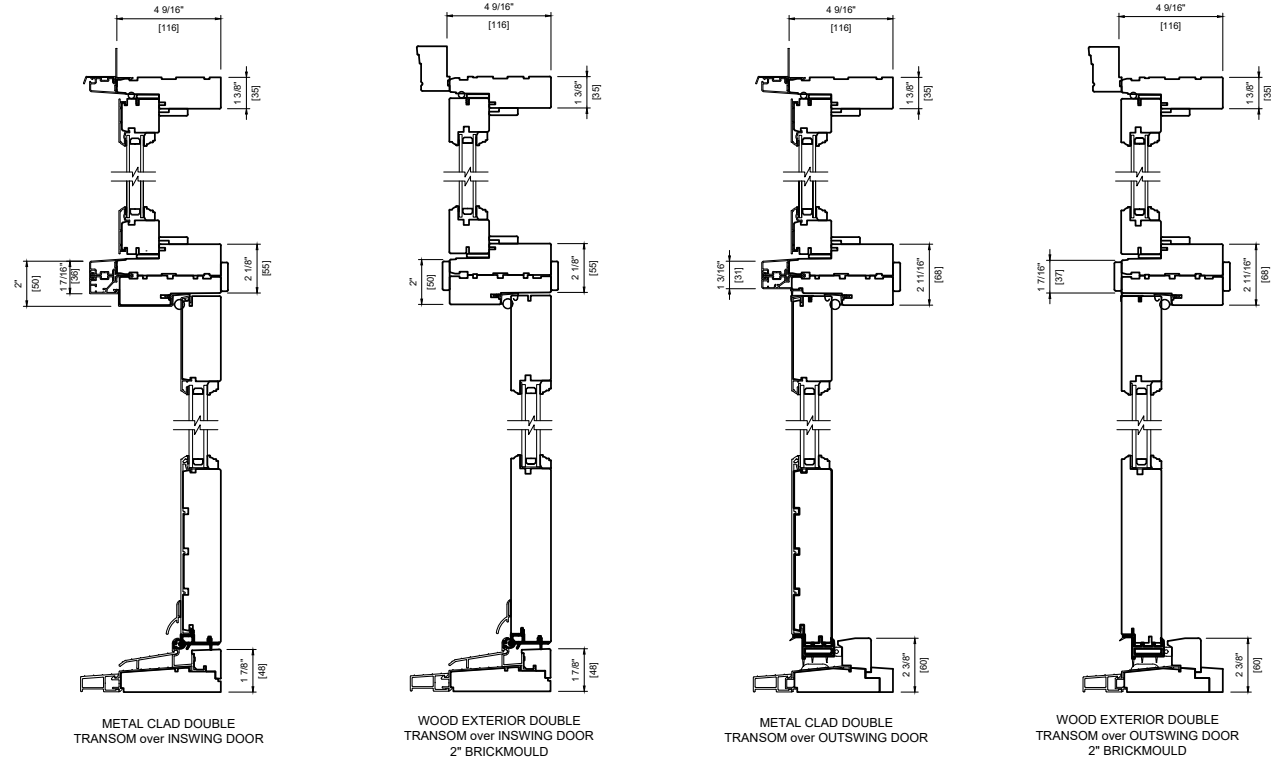


1.75" Swinging Terrace & French Doors -
Standard Stile (>3") FD

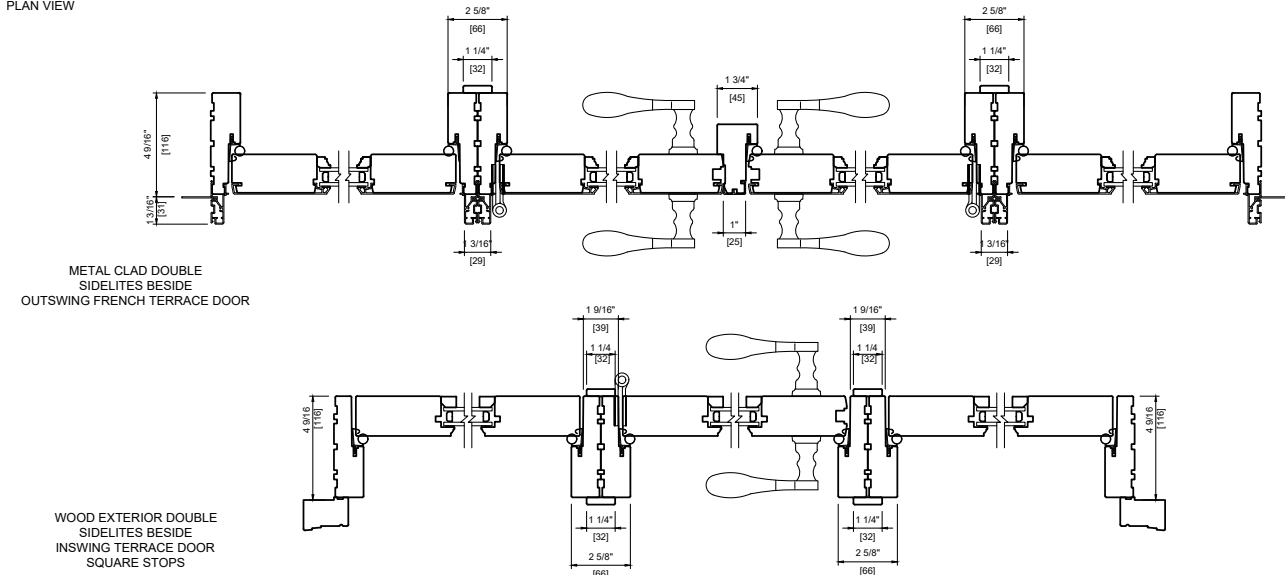
Drawings

Mull & Sidelite

HEAD & SILL DETAILS



PLAN VIEW

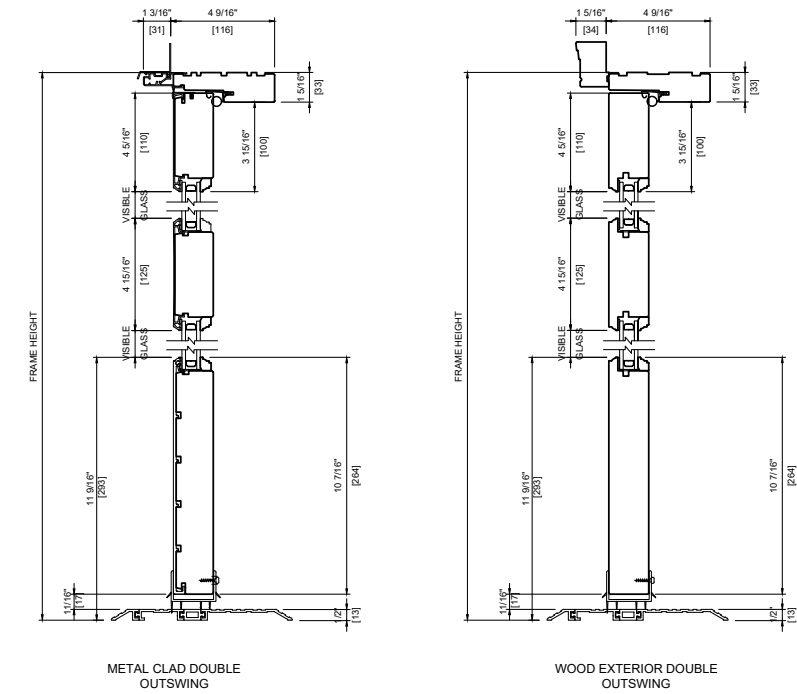
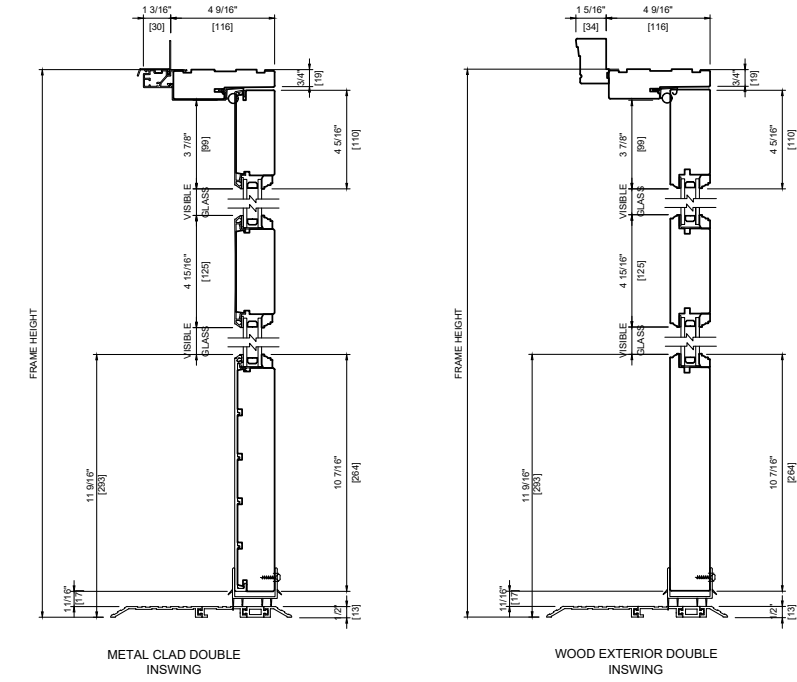


1.75" Swinging Terrace & French Doors -
Standard Stile (>3") FD

Drawings

Flat Sill, Mid Rail & Bottom Rail

HEAD & SILL DETAILS

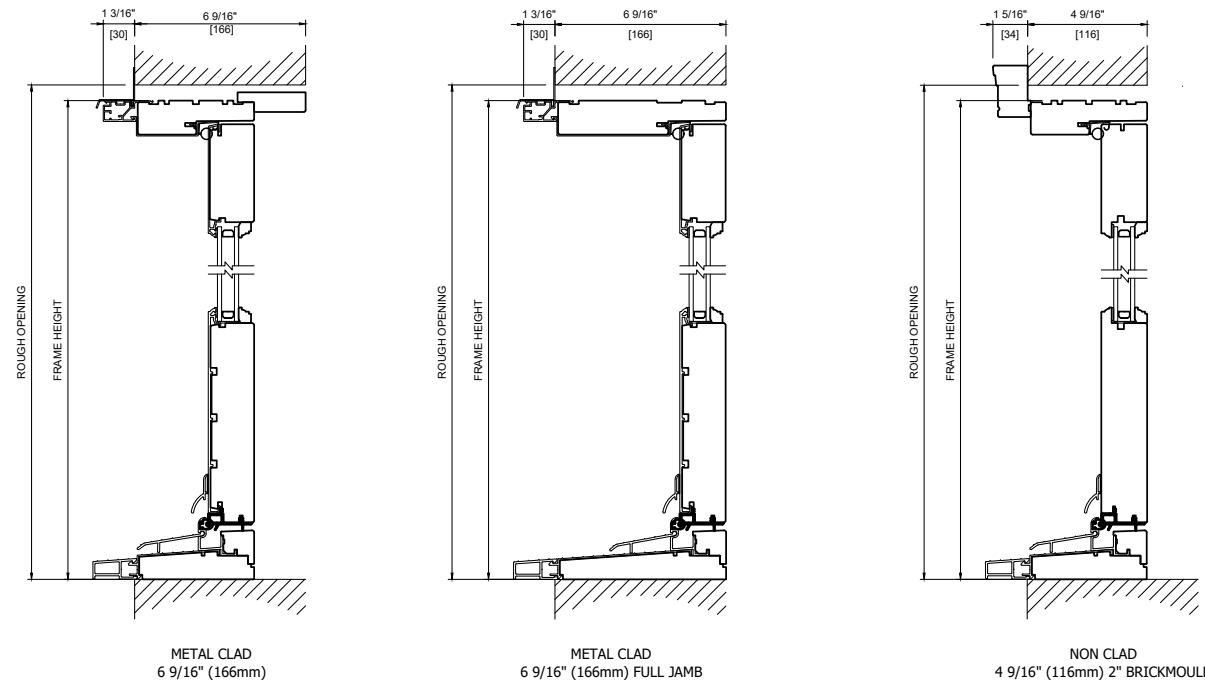


1.75" Swinging Terrace & French Doors -
Standard Stile (>3") FD

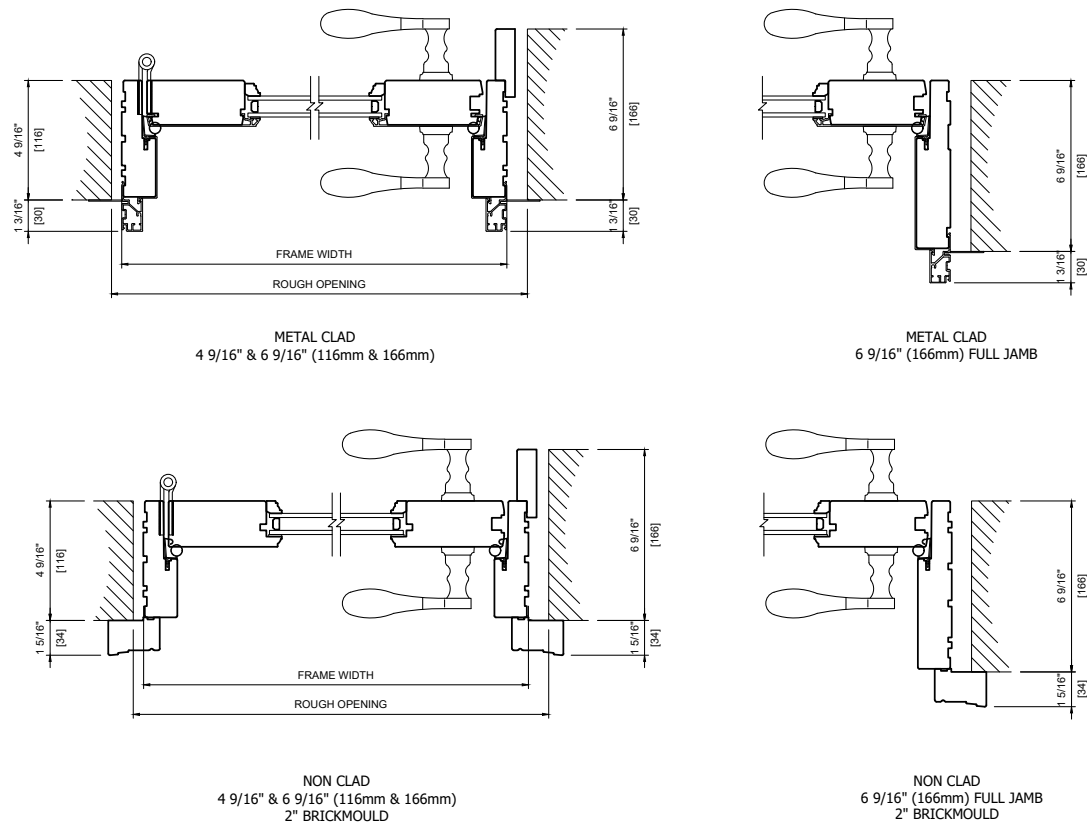
Drawings

Wall Connection

HEAD & SILL DETAIL



PLAN VIEW



1.75" Swinging Terrace & French Doors -
10' TD & FD

Size Charts

10' TD & FD

		Width									
Height	Rough Opening	Inswing with Jamb Extension									
		31 7/8" [809]	35 1/8" [892]	37 3/4" [959]	39 5/16" [999]	43 1/4" [1099]	45 1/4" [1150]				
		31 1/4" [793]	34 1/2" [876]	37 1/8" [943]	38 11/16" [983]	42 5/8" [1083]	44 5/8" [1134]				
		30 1/2" [774]	33 3/4" [857]	36 3/8" [924]	37 15/16" [964]	41 7/8" [1064]	43 7/8" [1115]				
		28 9/16" [726]	31 7/8" [809]	34 1/2" [876]	36 1/16" [916]	40" [1016]	42" [1067]				
	16 7/8" [428]	20 1/8" [511]	22 3/4" [578]	24 5/16" [618]	28 1/4" [718]	30 1/4" [769]					
	124 5/16" [3157]	124" [3150]	123 7/16" [3135]	120 3/8" [3057]	106 1/4" [2699]	TD1 0732	TD1 0832	TD1 0932	TD1 0932	TD1 1032	TD1 1132

		Width											
Height	Rough Opening	Inswing with Jamb Extension											
								75 3/8" [1915]	83 1/4" [2115]	87 5/16" [2217]			
								74 3/4" [1899]	82 5/8" [2099]	86 5/8" [2201]			
								70 7/8" [1880]	81 7/8" [2080]	85 7/8" [2182]			
								36 1/16" [916]	40" [1016]	42" [1067]			
							24 5/16" [618]	28 1/4" [718]	30 1/4" [769]				
	124 5/16" [3157]	124" [3150]	123 7/16" [3135]	120 3/8" [3057]	106 1/4" [2699]		TD2 1832	TD2 2032	TD2 2232				

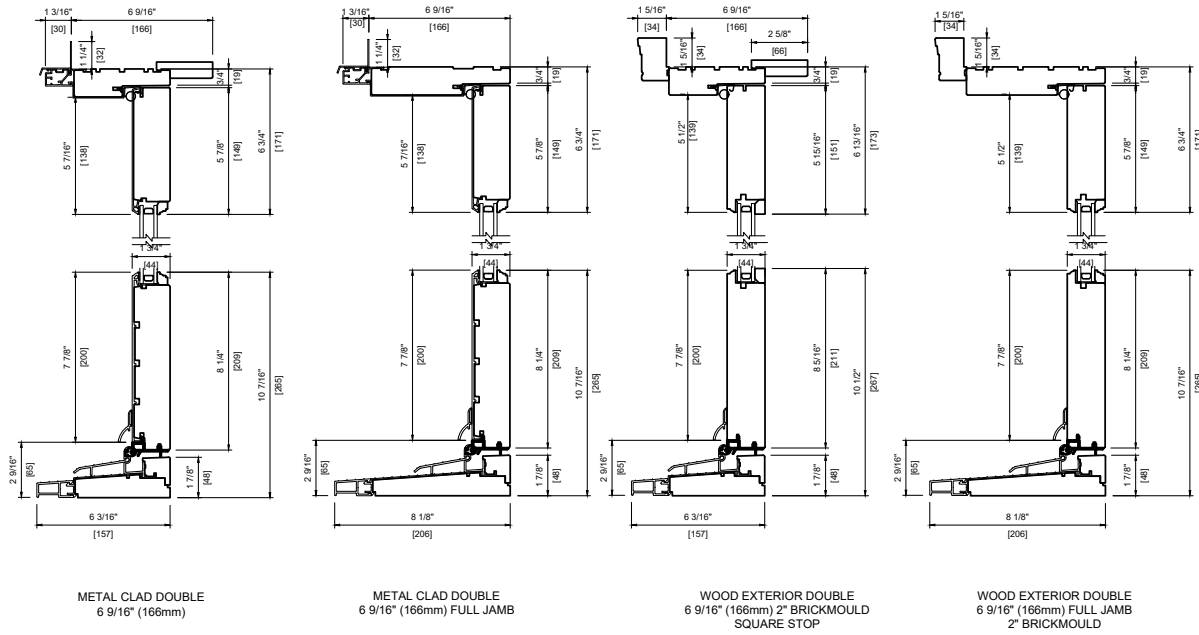
		Width										
Height	Rough Opening	Inswing with Jamb Extension										
		47 7/8" [1216]	61 9/16" [1564]	68 1/2" [1730]	72 1/8" [2246]	76 3/8" [1940]	84 7/16" [2144]	88 7/16" [2246]				
		47 1/4" [1200]	60 3/16" [1548]	67 1/2" [1714]	72 3/4" [2230]	75 3/4" [1924]	83 3/4" [2128]	87 13/16" [2230]				
		46 1/2" [1181]	60 3/16" [1529]	66 3/4" [1695]	72" [1829]	75" [1905]	83 1/16" [2109]	87 1/16" [2211]				
		21 3/4" [552]	28 9/16" [726]	31 7/8" [809]	34 1/2" [876]	36" [914]	40" [1016]	42" [1067]				
	10" [254]	16 7/8" [428]	20 1/8" [511]	22 3/4" [578]	24 1/4" [616]	28 1/4" [718]	30 1/4" [769]					
	124 5/16" [3157]	124" [3150]	123 7/16" [3135]	120 3/8" [3057]	106 1/4" [2699]	FD2 1232	FD2 1532	FD2 1632	FD2 1832	FD2 1832	FD2 2032	FD2 2232

1.75" Swinging Terrace & French Doors -
10' TD & FD

Drawings

Inswing

HEAD & SILL DETAILS

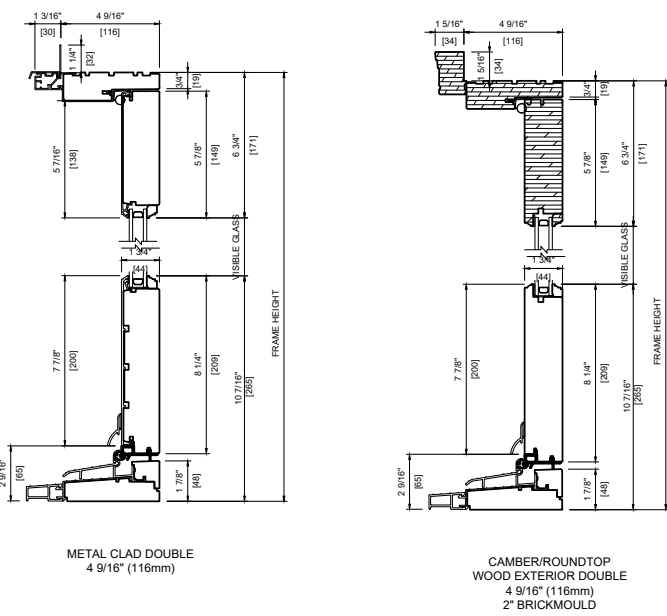
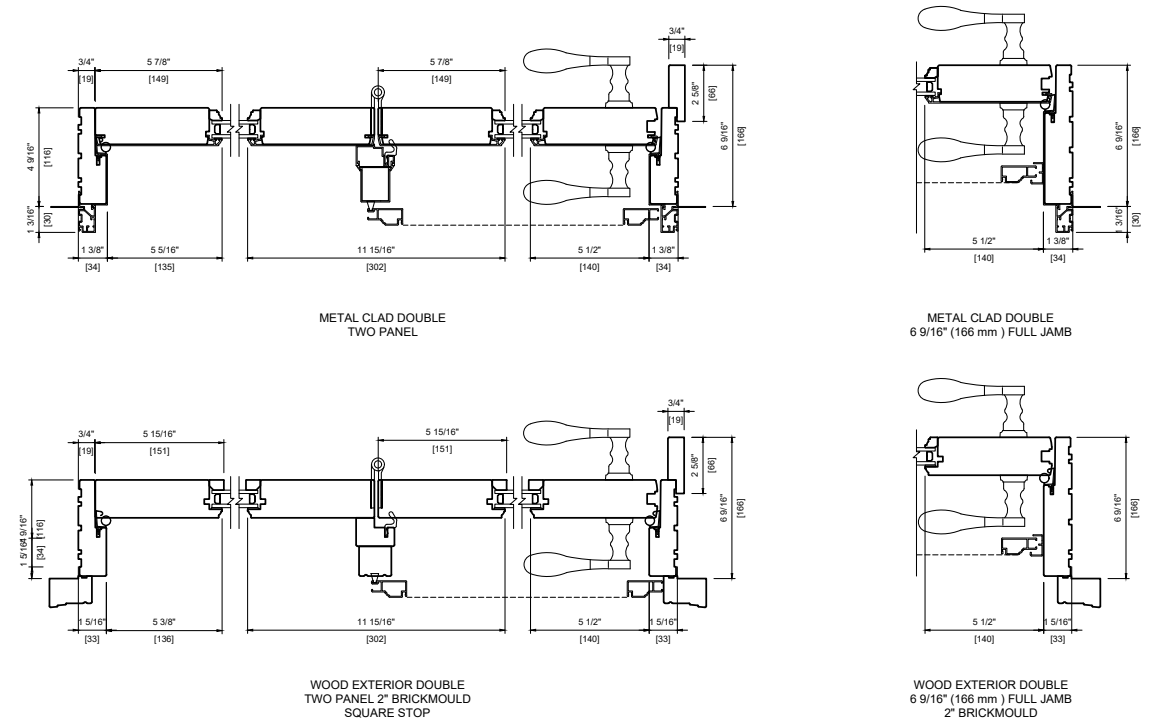


1.75" Swinging Terrace & French Doors -
10' TD & FD

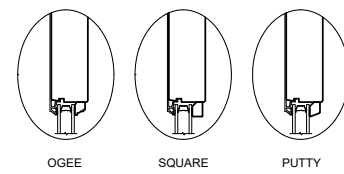
Drawings

Inswing (TD Plan View)

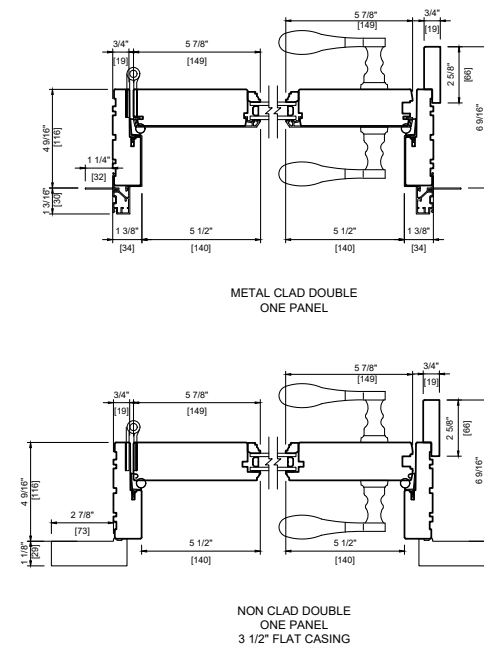
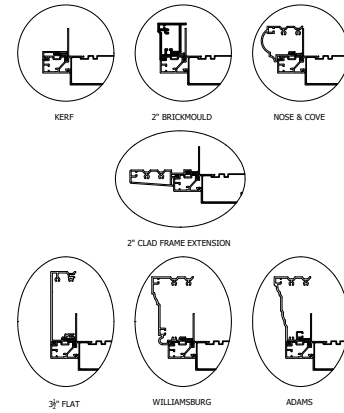
PLAN VIEW



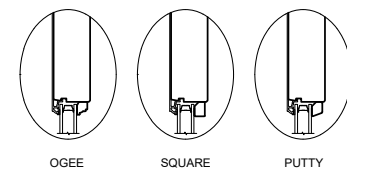
GLAZING STOP PROFILES



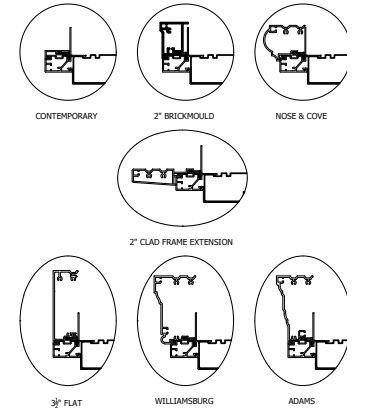
Casing



GLAZING STOP PROFILES



Casing

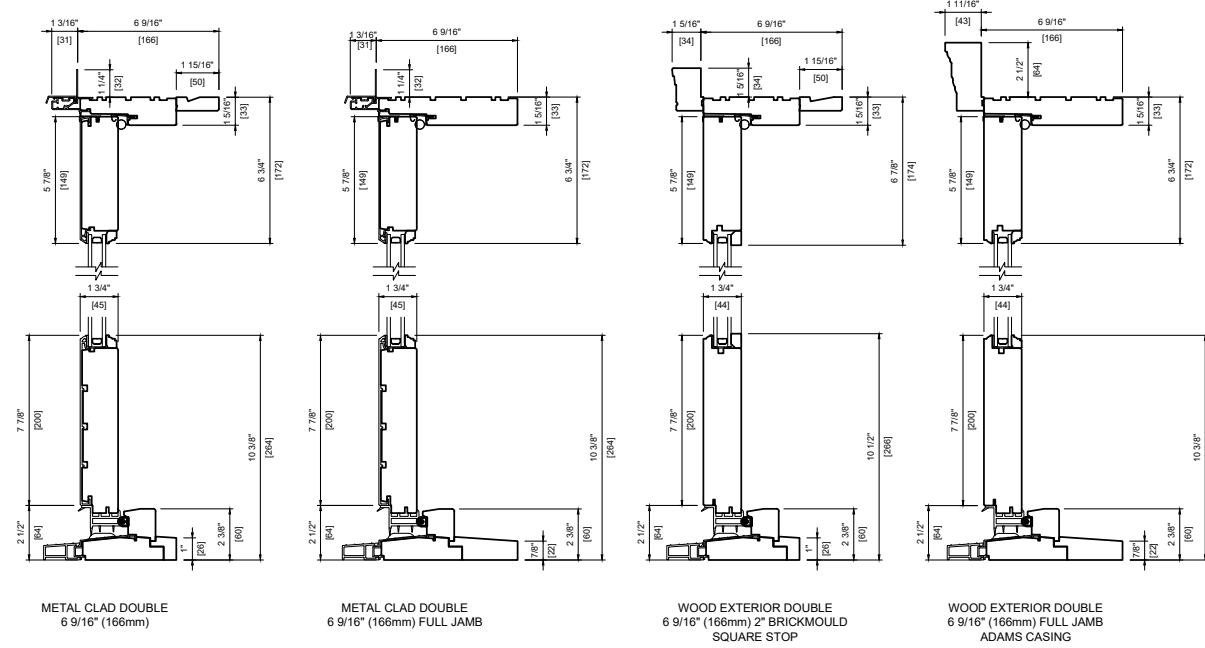


1.75" Swinging Terrace & French Doors -
10' TD & FD

Drawings

Outswing

HEAD & SILL DETAILS

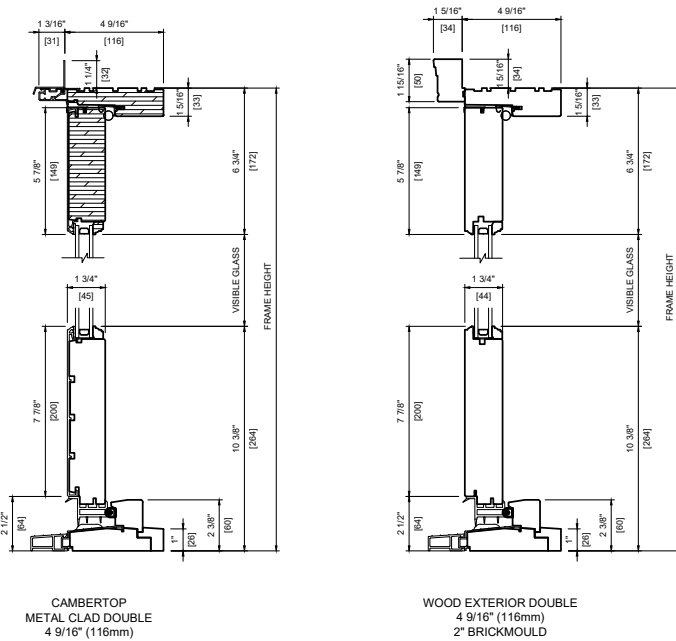
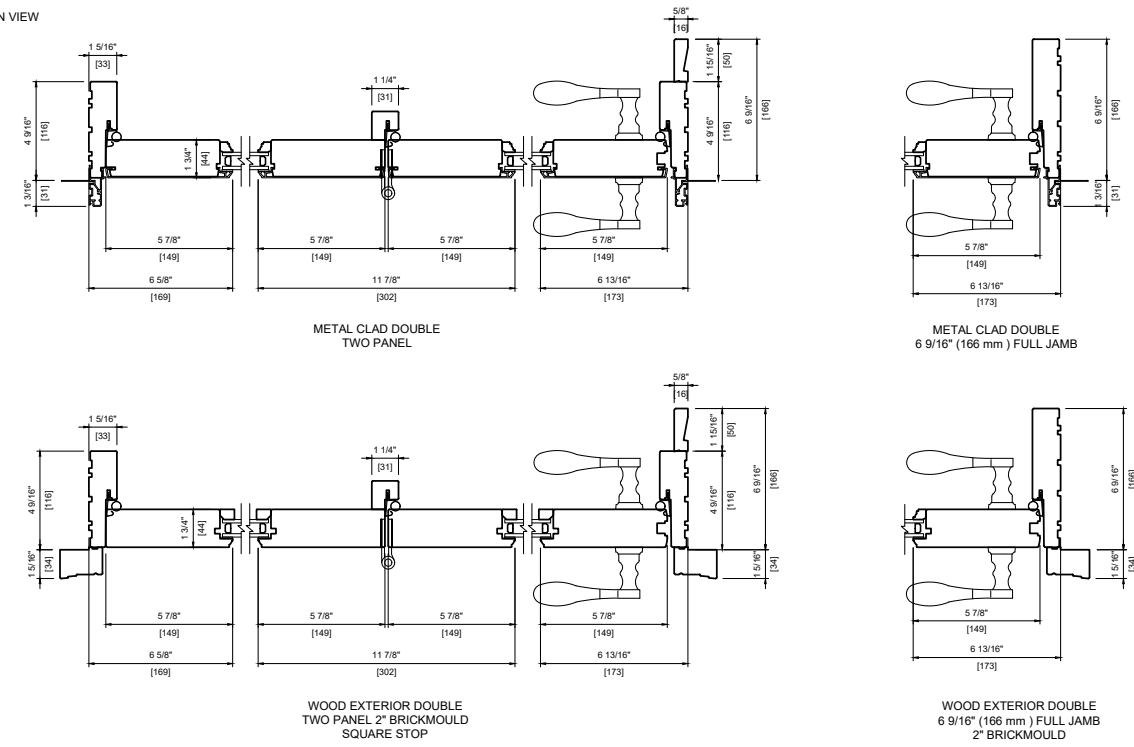


1.75" Swinging Terrace & French Doors -
10' TD & FD

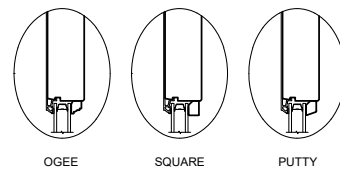
Drawings

Outswing (TD Plan View)

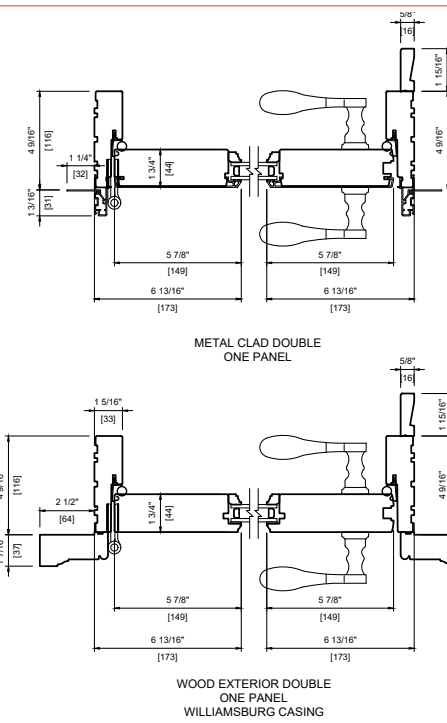
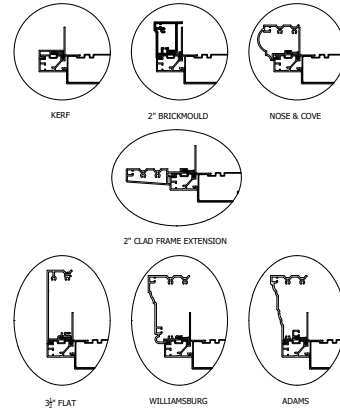
PLAN VIEW



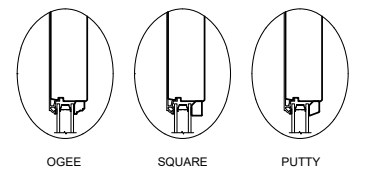
GLAZING STOP PROFILES



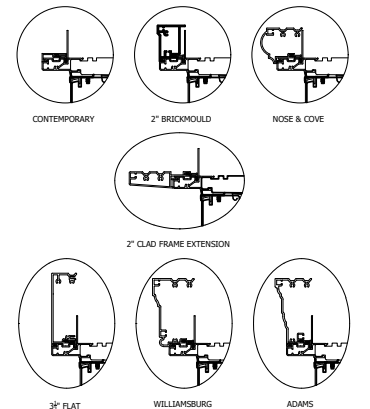
Casing



GLAZING STOP PROFILES



Casing

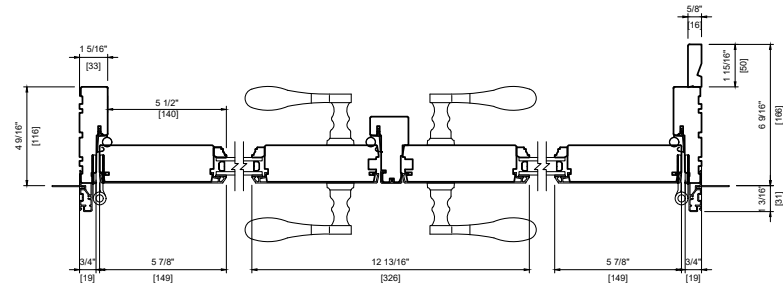


1.75" Swinging Terrace & French Doors -
10' TD & FD

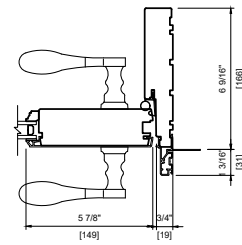
Drawings

Inswing & Outswing (FD Plan View)

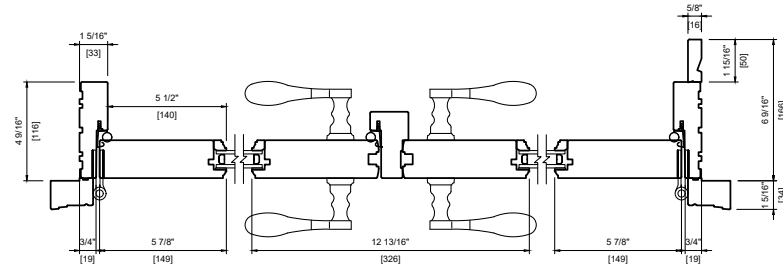
PLAN VIEW OUTSWING



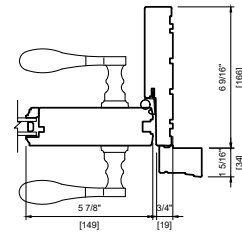
METAL CLAD DOUBLE
TWO PANEL



METAL CLAD DOUBLE
6 9/16" FULL JAMB

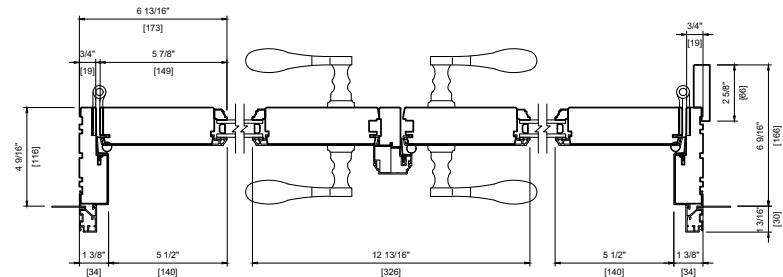


WOOD EXTERIOR DOUBLE
TWO PANEL
2" BRICKMOULD

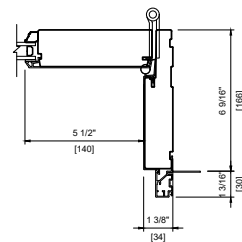


WOOD EXTERIOR DOUBLE
6 9/16" FULL JAMB
2" BRICKMOULD

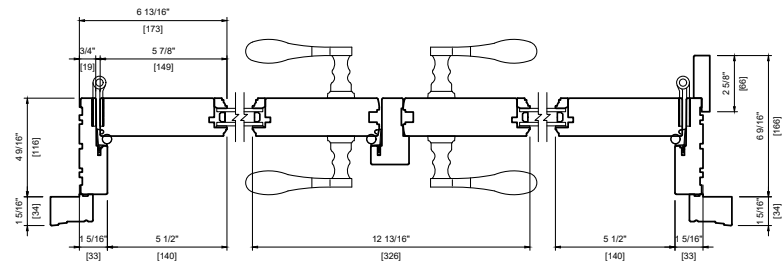
PLAN VIEW INSWING



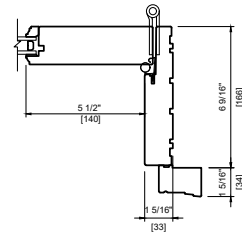
METAL CLAD DOUBLE
TWO PANEL



METAL CLAD DOUBLE
6 9/16" FULL JAMB



WOOD EXTERIOR DOUBLE
TWO PANEL
2" BRICKMOULD



WOOD EXTERIOR DOUBLE
6 9/16" FULL JAMB
2" BRICKMOULD

