



**CYPRUM  
COLLECTION  
TECHNICAL  
GUIDE**

# CYPRIUM COLLECTION

Loewen's Cyprium product combines modern technologies with old world appearance.

The Loewen Cyprium Collection features copper and bronze clad windows and doors unique in design and construction. Besides being clad in copper and bronze, the actual design and construction of these windows and doors is robust and artisanal. All seams are hand-soldered for a distinctive look and architectural authenticity. These hand-wrought living surfaces develop distinctive patinas that adopt and define the individual aesthetic character of the homes to which they belong.

## FEATURES

---

Custom artisan-applied patina for accelerated aging

---

Common frame cladding and recessed mullions are architecturally correct and authentic

---

Thick copper and bronze cladding are rarely both offered from the same manufacturer

---

Authentic exposed solder joinery for water performance and structural integrity

---



Cyprium Window Combination Unit

## Bronze Palette



Bronze Natura

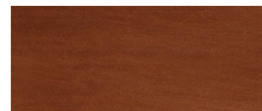


Bronze Umbra

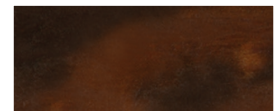


Bronze Verdigris

## Copper Palette



Copper Natura



Copper Umbra

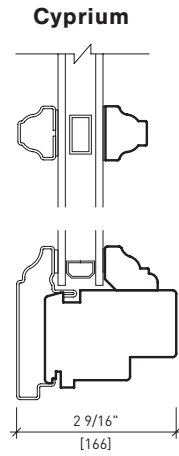


Copper Verdigris

## Deep Interior & Exterior Profiles

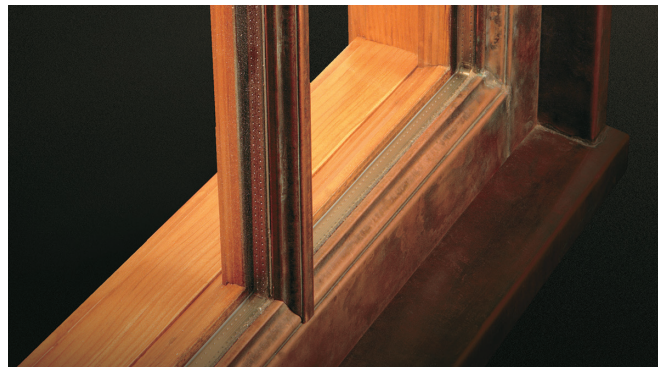
Cyprium Collection profiles — and their matching interior wood muntins and glass stops feature a deep relief profile. Nominal .040" Copper and Bronze cladding is used to craft a rich, architecturally balanced appearance.

Cyprium SDL are also available in 7/8" (22 mm) as shown, 1 1/4" (32 mm) or 2" (51 mm).



### Triple Sash

Cyprium windows are built with a triple laminated sash that accommodates deeper cladding and glazing stop profiles.



### Profile Depth

Loewen's ensured fit and finish, superior design and guarantee of fine material make Cyprium a lifetime design investment.

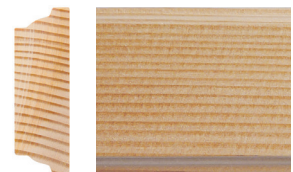
### Cyprium Profiles

7/8" [22]

1 1/4" [32]

2" [51]

Wood (Interior)



Metal Clad (Exterior)







Bronze Natura

**Soldered Joints**

Lead-free hand soldered joints render an authentic appearance that is both attractive and functional. Soldered joints create a cohesive, watertight body for frame and sash members resulting in a uniform reaction to temperature fluctuation.



Copper Verdigris

**Recessed Mullion**

Recessed from the face of the sill and frame, this classical mullion detail adds visual harmony. Cyprium's deep sills are well suited to masonry wall construction.



Bronze Umbra

**Capped Sill End**

Hand-fitted sill caps are soldered in place for structural integrity and a finished appearance.



Bronze Verdigris

**Picture/Direct Set Profiles**

Picture/Direct Set (fixed, non-sashed units) offer an even deeper offset from the face of sill, head and frame members to the vertical plane of the glass.





Copper Verdigris cladding on a Loewen crank casement window

## Window Hardware Finishes

### Casement & Awning Hardware



Contemporary Casement and Awning Handle and Cover (Faux Bronze)



Provence Casement And Awning Handle And Cover (Oil Rubbed Bronze)



Tango Casement And Awning Handle And Cover (Oil Rubbed Bronze)

### Solid Brass Hardware



Meran Handle (Oil Rubbed Bronze)



Dallas Handle (Dark Bronze Metallic)



Verona Handle (Oil Rubbed Bronze)



Rodos Handle (Oil Rubbed Bronze)

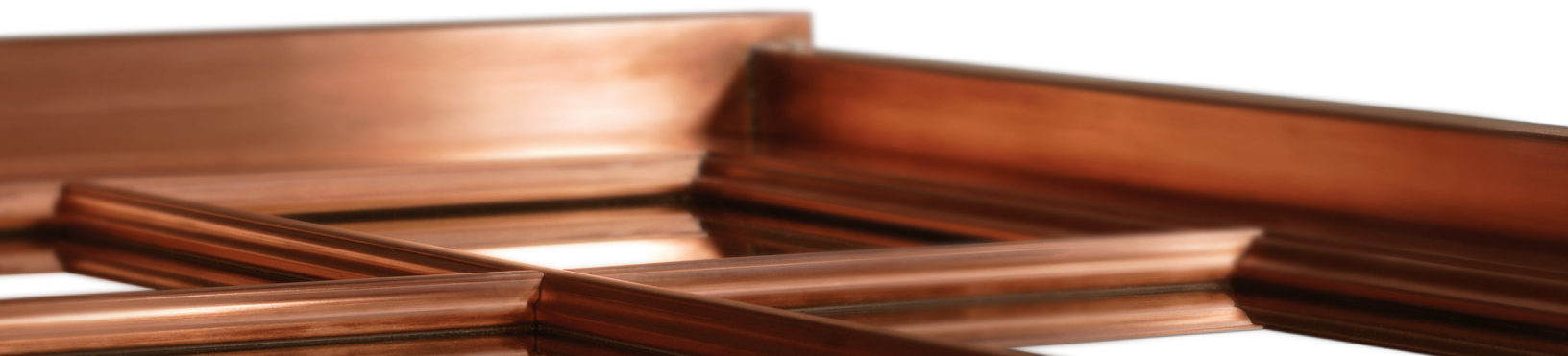
### Solid Bronze Door Hardware



Churchill Handle (Rustic Bronze)



Shropshire Handle (Rustic Bronze)





## Cyprimum Collection Doors

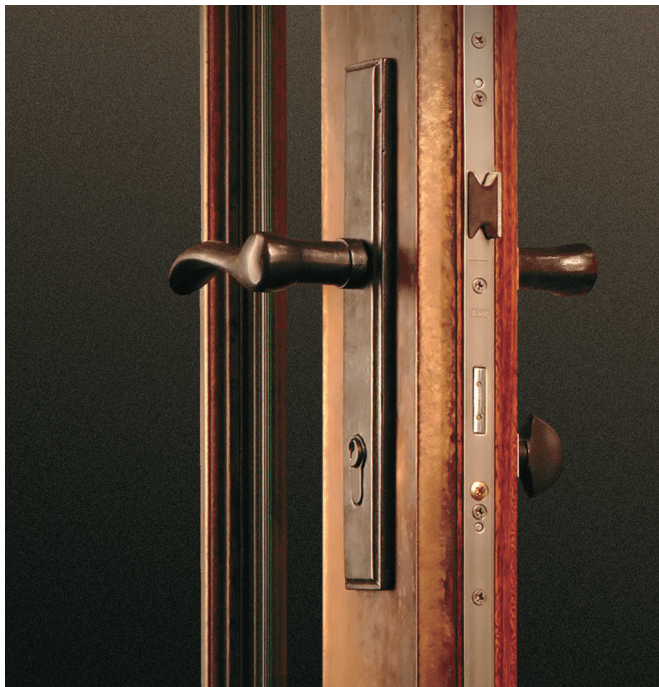
Loewen's full clad door panels combine rugged performance with architectural elegance.

Equipped with standard multi-point hardware – with stainless steel exposed components – Cyprimum door and entryway systems are secure and reliable.

Bronze Umbra patina Terrace door featuring 7/8" Simulated Divided Lites (SDL).



Cyprimum Terrace and French Terrace doors are available with flat or raised exterior panels and mid-rails.



Robust feel and superior security.



Raised exterior panel.



Cyprium Collection -  
Windows - **Casement**

Size Charts

**CA1**

Width

Height

Rough Opening			16 1/2 [419]	20 7/16 [519]	24 3/8 [619]	28 5/16 [719]	30 1/4 [769]	32 1/4 [819]	36 3/16 [919]
Frame			15 3/4 [400]	19 11/16 [500]	23 5/8 [600]	27 9/16 [700]	29 1/2 [750]	31 1/2 [800]	35 7/16 [900]
Visible Glass			9 1/2 [241]	13 7/16 [341]	17 3/8 [441]	21 5/16 [541]	23 1/4 [591]	25 1/4 [641]	29 3/16 [741]
24 3/8 [619]	23 5/8 [600]	17 3/16 [436]	CA1 0406	CA1 0506	CA1 0606	CA1 0706	CA1 7506		
28 5/16 [719]	27 9/16 [700]	21 1/8 [536]	CA1 0407	CA1 0507	CA1 0607	CA1 0707	CA1 7507	★ CA1 0807	
30 1/4 [769]	29 1/2 [750]	23 1/16 [586]	CA1 0475	CA1 0575	CA1 0675	CA1 0775	★ CA1 7575	★ CA1 0875	
32 1/4 [819]	31 1/2 [800]	25 1/16 [636]	CA1 0408	CA1 0508	CA1 0608	★ CA1 0708	★ CA1 7508	★ CA1 0808	★ CA1 0908
36 3/16 [919]	35 7/16 [900]	29 [736]	CA1 0409	CA1 0509	CA1 0609	★ CA1 0709	★ CA1 7509	★ CA1 0809	★★ CA1 0909
40 1/8 [1019]	39 3/8 [1000]	32 15/16 [836]	CA1 0410	CA1 0510	★ CA1 0610	★ CA1 0710	★ CA1 7510	★★ CA1 0810	★★ CA1 0910
42 [1067]	41 1/4 [1048]	34 13/16 [884]	CA1 0411	CA1 0511	★ CA1 0611	★★ CA1 0711	★★ CA1 7511	★★ CA1 0811	★★ CA1 0911
48 [1219]	47 1/4 [1200]	40 13/16 [1036]	CA1 0412	CA1 0512	★ CA1 0612	★★ CA1 0712	★★ CA1 7512	★★ CA1 0812	★★ CA1 0912
55 7/8 [1419]	55 1/8 [1400]	48 11/16 [1236]	CA1 0414	CA1 0514	★ CA1 0614	★★ CA1 0714	★★ CA1 7514	★★ CA1 0814	★★ CA1 0914
59 13/16 [1519]	59 1/16 [1500]	52 5/8 [1336]	CA1 0415	CA1 0515	★ CA1 0615	★★ CA1 0715	★★ CA1 7515	★★ CA1 0815	★★ CA1 0915
63 3/4 [1619]	63 [1600]	56 9/16 [1436]	CA1 0416	CA1 0516	★ CA1 0616	★★ CA1 0716	★★ CA1 7516	★★ CA1 0816	★★ CA1 0916
71 5/8 [1819]	70 7/8 [1800]	64 7/16 [1636]	CA1 0418	CA1 0518	★ CA1 0618	★★ CA1 0718	★★ CA1 7518	★★ CA1 0818	★★ CA1 0918
83 7/16 [2119]	82 11/16 [2100]	76 1/4 [1936]	CA1 0421	CA1 0521	★ CA1 0621	★★ CA1 0721	★★ CA1 7521	★★ CA1 0821	★★ CA1 0921

Product Code

Glass Size = Visible Glass + 1 3/16" (30 mm)

Standard sizes shown. Additional sizes may be available. Custom sizes can be ordered.

- Note:**
- SDL/Grille patterns are dependent on SDL/Grille type and window size. Please verify SDL/Grille patterns before confirming your order.
  - Available with Push Out hardware.
  - For Masonry opening information see page P19.
  - Sizes are shown as double glazing, not all sizes may be available in triple glazing.
  - Only available with Rotogear hardware
  - Egress calculations are based on the unit being opened at 70° for washability hinge, 80° for egress hinge, and having minimum clear openings of:
    - ★ Meets US Egress: 20" in width, 24" in height, with a total egress area of 5.7 Sq Ft
    - ★ Meets Canadian Egress: 15" in width, 15" in height, with a total egress area of 3.8 Sq Ft
  - Please check your local building codes for any variation in Egress Standards from those stated above. For egress information, contact your Authorized Loewen Dealer.

Cyprum Collection -  
Windows - **Casement**

Size Charts

**CA2 (2 Wide)**

Width

Height

Rough Opening			32 1/4 [819]	40 1/8 [1019]	48 [1219]	55 7/8 [1419]	59 13/16 [1519]	63 3/4 [1619]	71 5/8 [1819]
Frame			31 1/2 [800]	39 3/8 [1000]	47 1/4 [1200]	55 1/8 [1400]	59 1/16 [1500]	63 [1600]	70 7/8 [1800]
Visible Glass			9 1/2 [241]	13 7/16 [341]	17 3/8 [441]	21 5/16 [541]	23 1/4 [591]	25 1/4 [641]	29 3/16 [741]
24 3/8 [619]	23 5/8 [600]	17 3/16 [436]	CA2 0806	CA2 1006	CA2 1206	CA2 1406	CA2 1506		
28 5/16 [719]	27 9/16 [700]	21 1/8 [536]	CA2 0807	CA2 1007	CA2 1207	CA2 1407	CA2 1507	★ CA2 1607	
30 1/4 [769]	29 1/2 [750]	23 1/16 [586]	CA2 0875	CA2 1075	CA2 1275	CA2 1475	★ CA2 1575	★ CA2 1675	
32 1/4 [819]	31 1/2 [800]	25 1/16 [636]	CA2 0808	CA2 1008	CA2 1208	★ CA2 1408	★ CA2 1508	★ CA2 1608	★ CA2 1808
36 3/16 [919]	35 7/16 [900]	29 [736]	CA2 0809	CA2 1009	CA2 1209	★ CA2 1409	★ CA2 1509	★ CA2 1609	★★ CA2 1809
40 1/8 [1019]	39 3/8 [1000]	32 15/16 [836]	CA2 0810	CA2 1010	★ CA2 1210	★ CA2 1410	★ CA2 1510	★★ CA2 1610	★★ CA2 1810
42 [1067]	41 1/4 [1048]	34 13/16 [884]	CA2 0811	CA2 1011	★ CA2 1211	★★ CA2 1411	★★ CA2 1511	★★ CA2 1611	★★ CA2 1811
48 [1219]	47 1/4 [1200]	40 13/16 [1036]	CA2 0812	CA2 1012	★ CA2 1212	★★ CA2 1412	★★ CA2 1512	★★ CA2 1612	★★ CA2 1812
55 7/8 [1419]	55 1/8 [1400]	48 11/16 [1236]	CA2 0814	CA2 1014	★ CA2 1214	★★ CA2 1414	★★ CA2 1514	★★ CA2 1614	★★ CA2 1814
59 13/16 [1519]	59 1/16 [1500]	52 5/8 [1336]	CA2 0815	CA2 1015	★ CA2 1215	★★ CA2 1415	★★ CA2 1515	★★ CA2 1615	★★ CA2 1815
63 3/4 [1619]	63 [1600]	56 9/16 [1436]	CA2 0816	CA2 1016	★ CA2 1216	★★ CA2 1416	★★ CA2 1516	★★ CA2 1616	★★ CA2 1816
71 5/8 [1819]	70 7/8 [1800]	64 7/16 [1636]	CA2 0818	CA2 1018	★ CA2 1218	★★ CA2 1418	★★ CA2 1518	★★ CA2 1618	★★ CA2 1818
83 7/16 [2119]	82 11/16 [2100]	76 1/4 [1936]	CA2 0821	CA2 1021	★ CA2 1221	★★ CA2 1421	★★ CA2 1521	★★ CA2 1621	★★ CA2 1821

Product Code

Glass Size = Visible Glass + 1 3/16" (30 mm)

Standard sizes shown. Additional sizes may be available. Custom sizes can be ordered.

- Note:**
- SDL/Grille patterns are dependent on SDL/Grille type and window size. Please verify SDL/Grille patterns before confirming your order.
  - Available with Push Out hardware.
  - For Masonry opening information see page P19.
  - Sizes are shown as double glazing, not all sizes may be available in triple glazing.
  - Only available with Rotogear hardware
  - Egress calculations are based on the unit being opened at 70° for washability hinge, 80° for egress hinge, and having minimum clear openings of:
    - ★ Meets US Egress: 20" in width, 24" in height, with a total egress area of 5.7 Sq Ft
    - ★ Meets Canadian Egress: 15" in width, 15" in height, with a total egress area of 3.8 Sq Ft
  - Please check your local building codes for any variation in Egress Standards from those stated above. For egress information, contact your Authorized Loewen Dealer.

Cyprium Collection -  
Windows - **Fixed Casement**

Size Charts

**CA1**

Width

Height

Rough Opening			16 1/2 [419]	20 7/16 [519]	24 3/8 [619]	28 5/16 [719]	30 1/4 [769]	32 1/4 [819]	36 3/16 [919]	40 1/8 [1019]	42 [1067]
Frame			15 3/4 [400]	19 11/16 [500]	23 5/8 [600]	27 9/16 [700]	29 1/2 [750]	31 1/2 [800]	35 7/16 [900]	39 3/8 [1000]	41 1/4 [1048]
Visible Glass			9 1/2 [241]	13 7/16 [341]	17 3/8 [441]	21 5/16 [541]	23 1/4 [591]	25 1/4 [641]	29 3/16 [741]	33 1/8 [841]	35 [889]
12 9/16 [319]	11 13/16 [300]	5 3/8 [136]	CA1 0403	CA1 0503	CA1 0603	CA1 0703	CA1 7503	CA1 0803	CA1 0903	CA1 1003	CA1 1103
16 1/2 [419]	15 3/4 [400]	9 5/16 [236]	CA1 0404	CA1 0504	CA1 0604	CA1 0704	CA1 7504	CA1 0804	CA1 0904	CA1 1004	CA1 1104
20 7/16 [519]	19 11/16 [500]	13 1/4 [336]	CA1 0405	CA1 0505	CA1 0605	CA1 0705	CA1 7505	CA1 0805	CA1 0905	CA1 1005	CA1 1105
24 3/8 [619]	23 5/8 [600]	17 3/16 [436]	CA1 0406	CA1 0506	CA1 0606	CA1 0706	CA1 7506	CA1 0806	CA1 0906	CA1 1006	CA1 1106
28 5/16 [719]	27 9/16 [700]	21 1/8 [536]	CA1 0407	CA1 0507	CA1 0607	CA1 0707	CA1 7507	CA1 0807	CA1 0907	CA1 1007	CA1 1107
30 1/4 [769]	29 1/2 [750]	23 1/16 [586]	CA1 0475	CA1 0575	CA1 0675	CA1 0775	CA1 7575	CA1 0875	CA1 0975	CA1 1075	CA1 1175
32 1/4 [819]	31 1/2 [800]	25 1/16 [636]	CA1 0408	CA1 0508	CA1 0608	CA1 0708	CA1 7508	CA1 0808	CA1 0908	CA1 1008	CA1 1108
36 3/16 [919]	35 7/16 [900]	29 [736]	CA1 0409	CA1 0509	CA1 0609	CA1 0709	CA1 7509	CA1 0809	CA1 0909	CA1 1009	CA1 1109
40 1/8 [1019]	39 3/8 [1000]	32 15/16 [836]	CA1 0410	CA1 0510	CA1 0610	CA1 0710	CA1 7510	CA1 0810	CA1 0910	CA1 1010	CA1 1110
42 [1067]	41 1/4 [1048]	34 13/16 [884]	CA1 0411	CA1 0511	CA1 0611	CA1 0711	CA1 7511	CA1 0811	CA1 0911	CA1 1011	CA1 1111
48 [1219]	47 1/4 [1200]	40 13/16 [1036]	CA1 0412	CA1 0512	CA1 0612	CA1 0712	CA1 7512	CA1 0812	CA1 0912	CA1 1012	CA1 1112
55 7/8 [1419]	55 1/8 [1400]	48 11/16 [1236]	CA1 0414	CA1 0514	CA1 0614	CA1 0714	CA1 7514	CA1 0814	CA1 0914	CA1 1014	CA1 1114
59 13/16 [1519]	59 1/16 [1500]	52 5/8 [1336]	CA1 0415	CA1 0515	CA1 0615	CA1 0715	CA1 7515	CA1 0815	CA1 0915	CA1 1015	CA1 1115
63 3/4 [1619]	63 [1600]	56 9/16 [1436]	CA1 0416	CA1 0516	CA1 0616	CA1 0716	CA1 7516	CA1 0816	CA1 0916	CA1 1016	CA1 1116
71 5/8 [1819]	70 7/8 [1800]	64 7/16 [1636]	CA1 0418	CA1 0518	CA1 0618	CA1 0718	CA1 7518	CA1 0818	CA1 0918	CA1 1018	CA1 1118
83 7/16 [2119]	82 11/16 [2100]	76 1/4 [1936]	CA1 0421	CA1 0521	CA1 0621	CA1 0721	CA1 7521	CA1 0821	CA1 0921	CA1 1021	CA1 1121
95 1/4 [2419]	94 1/2 [2400]	88 1/16 [2236]	CA1 0424	CA1 0524	CA1 0624	CA1 0724	CA1 7524	CA1 0824	CA1 0924	CA1 1024	CA1 1124

Product Code

Glass Size = Visible Glass + 1 3/16" (30 mm)

Standard sizes shown. Additional sizes may be available. Custom sizes can be ordered.

- Note:
- SDL/Grille patterns are dependent on SDL/Grille type and window size. Please verify SDL/Grille patterns before confirming your order.
  - For Masonry opening information see page P19.
  - Sizes are shown as double glazing, not all sizes may be available in triple glazing.



Cyprium Collection -  
Windows - **Fixed Casement**

Size Charts

**CA1**

Width

Height

Rough Opening			48 [1219]	55 7/8 [1419]	59 13/16 [1519]	63 3/4 [1619]	71 5/8 [1819]	79 1/2 [2019]	83 7/16 [2119]	95 1/4 [2419]
Frame			47 1/4 [1200]	55 1/8 [1400]	59 1/16 [1500]	63 [1600]	70 7/8 [1800]	78 3/4 [2000]	82 11/16 [2100]	94 1/2 [2400]
Visible Glass			41 [1041]	48 7/8 [1241]	52 13/16 [1341]	56 3/4 [1441]	64 5/8 [1641]	72 1/2 [1841]	76 7/16 [1941]	88 1/4 [2241]
12 9/16 [319]	11 13/16 [300]	5 3/8 [136]	CA1 1203	CA1 1403	CA1 1503	CA1 1603	CA1 1803	CA1 2003	CA1 2103	
16 1/2 [419]	15 3/4 [400]	9 5/16 [236]	CA1 1204	CA1 1404	CA1 1504	CA1 1604	CA1 1804	CA1 2004	CA1 2104	
20 7/16 [519]	19 11/16 [500]	13 1/4 [336]	CA1 1205	CA1 1405	CA1 1505	CA1 1605	CA1 1805	CA1 2005	CA1 2105	CA1 2405
24 3/8 [619]	23 5/8 [600]	17 3/16 [436]	CA1 1206	CA1 1406	CA1 1506	CA1 1606	CA1 1806	CA1 2006	CA1 2106	CA1 2406
28 5/16 [719]	27 9/16 [700]	21 1/8 [536]	CA1 1207	CA1 1407	CA1 1507	CA1 1607	CA1 1807	CA1 2007	CA1 2107	CA1 2407
30 1/4 [769]	29 1/2 [750]	23 1/16 [586]	CA1 1275	CA1 1475	CA1 1575	CA1 1675	CA1 1875	CA1 2075	CA1 2175	CA1 2475
32 1/4 [819]	31 1/2 [800]	25 1/16 [636]	CA1 1208	CA1 1408	CA1 1508	CA1 1608	CA1 1808	CA1 2008	CA1 2108	CA1 2408
36 3/16 [919]	35 7/16 [900]	29 [736]	CA1 1209	CA1 1409	CA1 1509	CA1 1609	CA1 1809	CA1 2009	CA1 2109	CA1 2409
40 1/8 [1019]	39 3/8 [1000]	32 15/16 [836]	CA1 1210	CA1 1410	CA1 1510	CA1 1610	CA1 1810	CA1 2010	CA1 2110	CA1 2410
42 [1067]	41 1/4 [1048]	34 13/16 [884]	CA1 1211	CA1 1411	CA1 1511	CA1 1611	CA1 1811	CA1 2011	CA1 2111	CA1 2411
48 [1219]	47 1/4 [1200]	40 13/16 [1036]	CA1 1212	CA1 1412	CA1 1512	CA1 1612	CA1 1812	CA1 2012	CA1 2112	CA1 2412
55 7/8 [1419]	55 1/8 [1400]	48 11/16 [1236]	CA1 1214	CA1 1414	CA1 1514	CA1 1614	CA1 1814	CA1 2014	CA1 2114	CA1 2414
59 13/16 [1519]	59 1/16 [1500]	52 5/8 [1336]	CA1 1215	CA1 1415	CA1 1515	CA1 1615	CA1 1815	CA1 2015	CA1 2115	CA1 2415
63 3/4 [1619]	63 [1600]	56 9/16 [1436]	CA1 1216	CA1 1416	CA1 1516	CA1 1616	CA1 1816	CA1 2016	CA1 2116	CA1 2416
71 5/8 [1819]	70 7/8 [1800]	64 7/16 [1636]	CA1 1218	CA1 1418	CA1 1518	CA1 1618	CA1 1818	CA1 2018	CA1 2118	
83 7/16 [2119]	82 11/16 [2100]	76 1/4 [1936]	CA1 1221	CA1 1421	CA1 1521	CA1 1621	CA1 1821			
95 1/4 [2419]	94 1/2 [2400]	88 1/16 [2236]	CA1 1224	CA1 1424	CA1 1524	CA1 1624				

Product Code

Glass Size = Visible Glass + 1 3/16" (30 mm)

Standard sizes Shown. Additional sizes may be available. Custom sizes can be ordered.

- Note:
- SDL/Grille patterns are dependent on SDL/Grille type and window size. Please verify SDL/Grille patterns before confirming your order.
  - For Masonry opening information see page P19.
  - Sizes are shown as double glazing, not all sizes may be available in triple glazing.

Cyprium Collection -  
Windows - **Pushout French Casement**

Size Charts

**FCA**

Width

Height

Rough Opening			32 1/4 [819]	40 1/8 [1019]	42 [1067]	48 [1219]	55 7/8 [1419]	59 13/16 [1519]	63 3/4 [1619]	71 5/8 [1819]
Frame			31 1/2 [800]	39 3/8 [1000]	41 1/4 [1048]	47 1/4 [1200]	55 1/8 [1400]	59 1/16 [1500]	63 [1600]	70 7/8 [1800]
Visible Glass			10 1/16 [255]	14 [355]	14 15/16 [379]	17 15/16 [455]	21 7/8 [555]	23 13/16 [605]	25 13/16 [655]	29 3/4 [755]
24 3/8 [619]	23 5/8 [600]	17 3/16 [436]	FCA 0806	☛ FCA 1006	☛ FCA 1106	☛ FCA 1206	☛ FCA 1406			
32 1/4 [819]	31 1/2 [800]	25 1/16 [636]	☛☛ FCA 0808	☛☛ FCA 1008	☛☛ FCA 1108	☛☛ FCA 1208	☛☛ FCA 1408	☛☛ FCA 1508	☛☛ FCA 1608	☛☛ FCA 1808
36 3/16 [919]	35 7/16 [900]	29 [736]	☛☛ FCA 0809	☛☛ FCA 1009	☛☛ FCA 1109	☛☛ FCA 1209	☛☛ FCA 1409	☛☛ FCA 1509	☛☛ FCA 1609	☛☛ FCA 1809
40 1/8 [1019]	39 3/8 [1000]	32 15/16 [836]	☛☛ FCA 0810	☛☛ FCA 1010	☛☛ FCA 1110	☛☛ FCA 1210	☛☛ FCA 1410	☛☛ FCA 1510	☛☛ FCA 1610	☛☛ FCA 1810
42 [1067]	41 1/4 [1048]	34 13/16 [884]	FCA 0811	FCA 1011	FCA 1111	FCA 1211	FCA 1411	FCA 1511	FCA 1611	FCA 1811
48 [1219]	47 1/4 [1200]	40 13/16 [1036]	☛☛ FCA 0812	☛☛ FCA 1012	☛☛ FCA 1112	☛☛ FCA 1212	☛☛ FCA 1412	☛☛ FCA 1512	☛☛ FCA 1612	☛☛ FCA 1812
55 7/8 [1419]	55 1/8 [1400]	48 11/16 [1236]	☛☛ FCA 0814	☛☛ FCA 1014	☛☛ FCA 1114	☛☛ FCA 1214	☛☛ FCA 1414	☛☛ FCA 1514	☛☛ FCA 1614	☛☛ FCA 1814
59 13/16 [1519]	59 1/16 [1500]	52 5/8 [1336]	☛☛ FCA 0815	☛☛ FCA 1015	☛☛ FCA 1115	☛☛ FCA 1215	☛☛ FCA 1415	☛☛ FCA 1515	☛☛ FCA 1615	☛☛ FCA 1815
63 3/4 [1619]	63 [1600]	56 9/16 [1436]	☛☛ FCA 0816	☛☛ FCA 1016	☛☛ FCA 1116	☛☛ FCA 1216	☛☛ FCA 1416	☛☛ FCA 1516	☛☛ FCA 1616	☛☛ FCA 1816
71 5/8 [1819]	70 7/8 [1800]	64 7/16 [1636]	☛☛ FCA 0818	☛☛ FCA 1018	☛☛ FCA 1118	☛☛ FCA 1218	☛☛ FCA 1418	☛☛ FCA 1518	☛☛ FCA 1618	☛☛ FCA 1818

Product Code

Glass Size = Visible Glass + 1 3/16" (30 mm)

**Standard sizes Shown. Additional sizes may be available. Custom sizes can be ordered.**

- Note:**
- SDL/Grille patterns are dependent on SDL/Grille type and window size. Please verify SDL/Grille patterns before confirming your order.
  - Available with Push Out hardware.
  - For Masonry opening information see page P19.
  - Sizes are shown as double glazing, not all sizes may be available in triple glazing.
  - Egress calculations are based on the unit being opened at 70° for washability hinge, 80° for egress hinge, and having minimum clear openings of:
    - ☛ Meets US Egress: 20" in width, 24" in height, with a total egress area of 5.7 Sq Ft
    - ☛☛ Meets Canadian Egress: 15" in width, 15" in height, with a total egress area of 3.8 Sq Ft
  - Please check your local building codes for any variation in Egress Standards from those stated above. For egress information, contact your Authorized Loewen Dealer.

Cyprum Collection -  
Windows - **Camber Top Casement**

Size Charts

**CTC1**

Width

Height

Rough Opening			16 1/2 [419]	20 7/16 [519]	24 3/8 [619]	28 5/16 [719]	30 1/4 [769]	32 1/4 [819]	36 3/16 [919]
Frame			15 3/4 [400]	19 11/16 [500]	23 5/8 [600]	27 9/16 [700]	29 1/2 [750]	31 1/2 [800]	35 7/16 [900]
Visible Glass			9 1/2 [241]	13 7/16 [341]	17 3/8 [441]	21 5/16 [541]	23 1/4 [591]	25 1/4 [641]	29 3/16 [741]
24 3/8 [619]	23 5/8 [600]	17 3/16 [436]	CTC1 0406	CTC1 0506	CTC1 0606	CTC1 0706	CTC1z 7506		
28 5/16 [719]	27 9/16 [700]	21 1/8 [536]	CTC1 0407	CTC1 0507	CTC1 0607	CTC1 0707	CTC1 7507	CTC1 0807	
30 1/4 [769]	29 1/2 [750]	23 1/16 [586]	CTC1 0475	CTC1 0575	CTC1 0675	CTC1 0775	CTC1 7575	CTC1 0875	
32 1/4 [819]	31 1/2 [800]	25 1/16 [636]	CTC1 0408	CTC1 0508	CTC1 0608	CTC1 0708	CTC1 7508	CTC1 0808	
36 3/16 [919]	35 7/16 [900]	29 [736]	CTC1 0409	CTC1 0509	CTC1 0609	CTC1 0709	CTC1 7509	CTC1 0809	CTC1 0909
40 1/8 [1019]	39 3/8 [1000]	32 15/16 [836]	CTC1 0410	CTC1 0510	CTC1 0610	CTC1 0710	CTC1 7510	CTC1 0810	CTC1 0910
42 [1067]	41 1/4 [1048]	34 13/16 [884]	CTC1 0411	CTC1 0511	CTC1 0611	CTC1 0711	CTC1 7511	CTC1 0811	CTC1 0911
48 [1219]	47 1/4 [1200]	40 13/16 [1036]	CTC1 0412	CTC1 0512	CTC1 0612	CTC1 0712	CTC1 7512	CTC1 0812	CTC1 0912
55 7/8 [1419]	55 1/8 [1400]	48 11/16 [1236]	CTC1 0414	CTC1 0514	CTC1 0614	CTC1 0714	CTC1 7514	CTC1 0814	CTC1 0914
59 13/16 [1519]	59 1/16 [1500]	52 5/8 [1336]	CTC1 0415	CTC1 0515	CTC1 0615	CTC1 0715	CTC1 7515	CTC1 0815	CTC1 0915
63 3/4 [1619]	63 [1600]	56 9/16 [1436]	CTC1 0416	CTC1 0516	CTC1 0616	CTC1 0716	CTC1 7516	CTC1 0816	CTC1 0916
71 5/8 [1819]	70 7/8 [1800]	64 7/16 [1636]	CTC1 0418	CTC1 0518	CTC1 0618	CTC1 0718	CTC1 7518	CTC1 0818	CTC1 0918
83 7/16 [2119]	82 11/16 [2100]	76 1/4 [1936]	CTC1 0421	CTC1 0521	CTC1 0621	CTC1 0721	CTC1 7521	CTC1 0821	CTC1 0921

Product Code

Glass Size = Visible Glass + 1 3/16" (30 mm)

Standard sizes Shown. Additional sizes may be available. Custom sizes can be ordered.

- Note:**
- SDL/Grille patterns are dependent on SDL/Grille type and window size. Please verify SDL/Grille patterns before confirming your order.
  - Available with Push Out hardware.
  - 31 1/2" (800mm) radius.
  - For Masonry opening information see page P19.
  - Sizes are shown as double glazing, not all sizes may be available in triple glazing.



Cyprium Collection -  
Windows - **Half Round Casement**

Size Charts

**CTC1**

Rough Opening			Width	
			32 1/4 [819]	36 3/16 [919]
	Frame		Width	
			31 1/2 [800]	35 7/16 [900]
		Visible Glass	Width	
			25 1/4 [641]	29 3/16 [741]
48 [1219]	47 1/4 [1200]	40 13/16 [1036]	CTC1 0812	
55 7/8 [1419]	55 1/8 [1400]	48 11/16 [1236]	CTC1 0814	CTC1 0914
59 13/16 [1519]	59 1/16 [1500]	52 5/8 [1336]	CTC1 0815	CTC1 0915
63 3/4 [1619]	63 [1600]	56 9/16 [1436]	CTC1 0816	CTC1 0916
71 5/8 [1819]	70 7/8 [1800]	64 7/16 [1636]	CTC1 0818	CTC1 0918
83 7/16 [2119]	82 11/16 [2100]	76 1/4 [1936]	CTC1 0821	CTC1 0921

**Product Code**

Glass Size = Visible Glass + 1 3/16" (30 mm)

**Standard sizes Shown. Additional sizes may be available. Custom sizes can be ordered.**

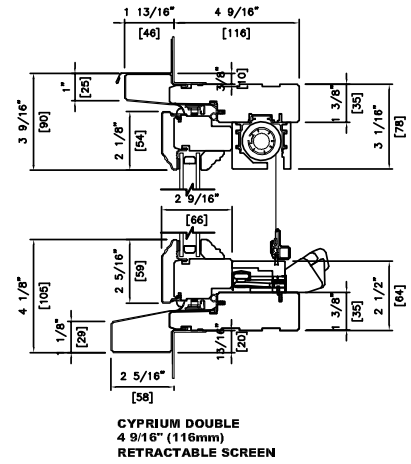
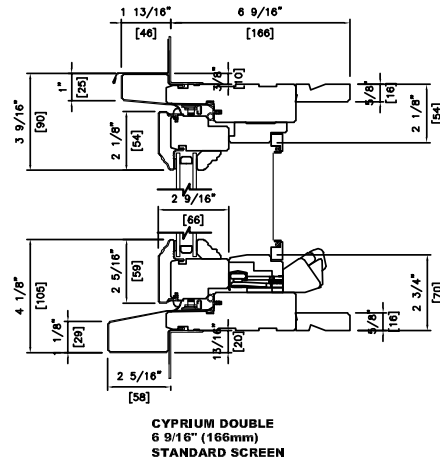
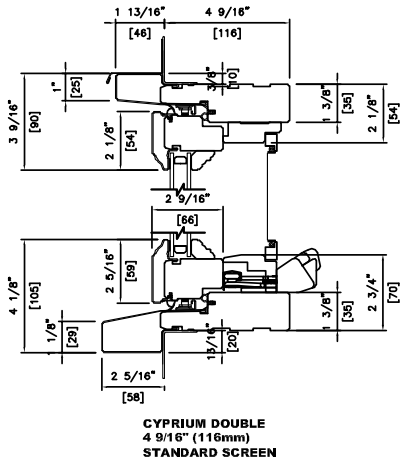
- Note:**
- SDL/Grille patterns are dependent on SDL/Grille type and window size. Please verify SDL/Grille patterns before confirming your order.
  - Available with Push Out hardware.
  - For Masonry opening information see page P19.
  - Sizes are shown as double glazing, not all sizes may be available in triple glazing.

Cyprimum Collection -  
Windows - **Casement**

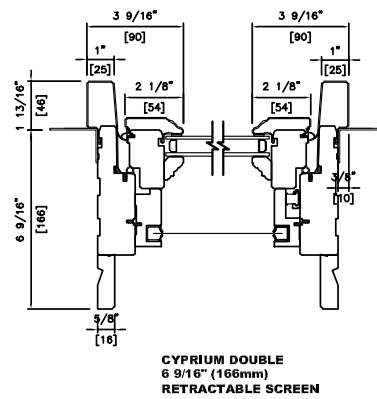
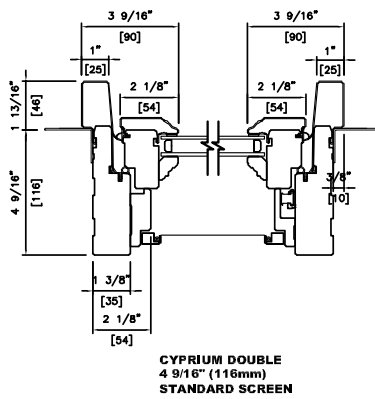
Drawings

**Casement**

**Head & Sill  
Detail**



**Plan View**



**Note:**

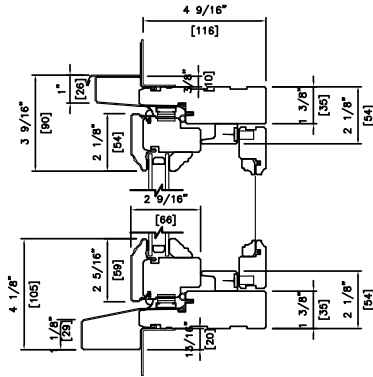
- Other jamb widths available.
- All dimensions to have +/- 1/16" (2mm) tolerance.

Cyprium Collection -  
Windows - Casement

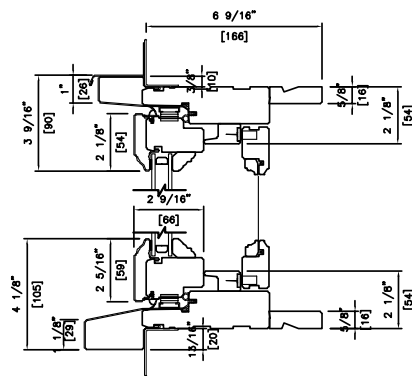
Drawings

Pushout Casement

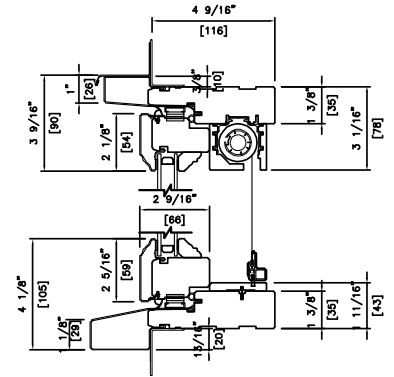
Head & Sill  
Detail



**CYPRIMUM DOUBLE**  
4 9/16" (116mm)  
HINGED WOOD SCREEN

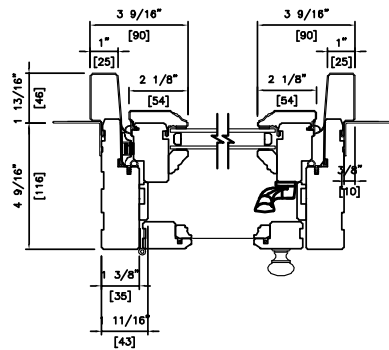


**CYPRIMUM DOUBLE**  
6 9/16" (166mm)  
HINGED WOOD SCREEN

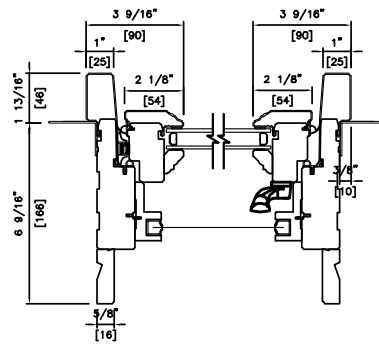


**CYPRIMUM DOUBLE**  
4 9/16" (116mm)  
RETRACTABLE SCREEN

Plan View



**CYPRIMUM DOUBLE**  
4 9/16" (116mm)  
HINGED WOOD SCREEN



**CYPRIMUM DOUBLE**  
6 9/16" (166mm)  
RETRACTABLE SCREEN

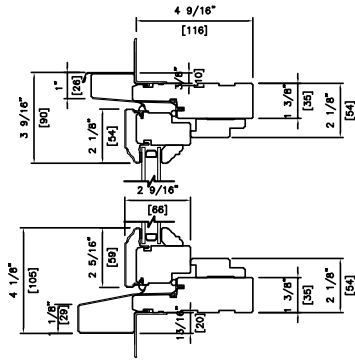
Note: • Other jamb widths available.  
• All dimensions to have +/- 1/16" (2mm) tolerance.

Cyprimum Collection -  
Windows - **Casement**

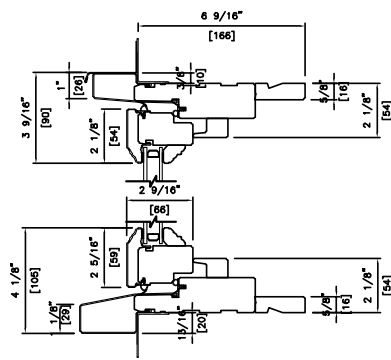
Drawings

**Fixed Casement**

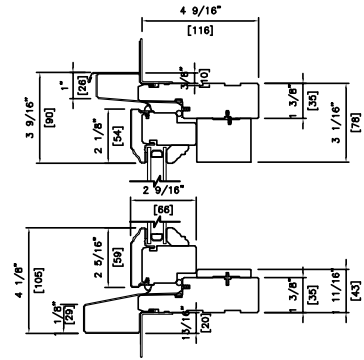
**Head & Sill  
Detail**



**CYPRIMUM DOUBLE**  
4 9/16" (116mm)  
MATCH STANDARD JAMB MOULDING

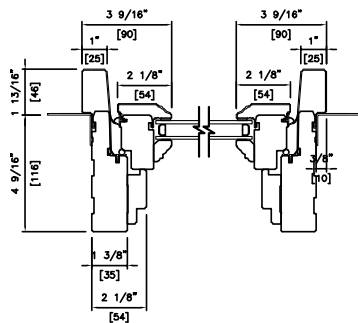


**CYPRIMUM DOUBLE**  
6 9/16" (166mm)  
MATCH PUSHOUT JAMB MOULDING

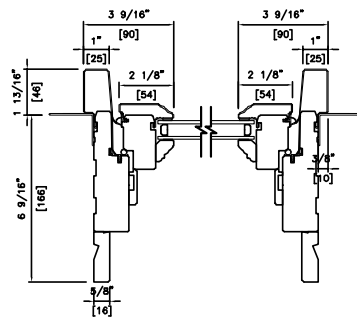


**CYPRIMUM DOUBLE**  
4 9/16" (116mm)  
MATCH RETRACTABLE SCREEN JAMB MOULDING

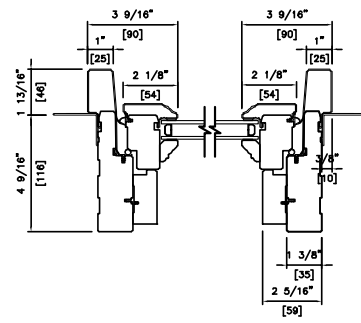
**Plan View**



**CYPRIMUM DOUBLE**  
4 9/16" (116mm)  
MATCH STANDARD JAMB MOULDING



**CYPRIMUM DOUBLE**  
6 9/16" (166mm)  
MATCH PUSHOUT JAMB MOULDING



**CYPRIMUM DOUBLE**  
4 9/16" (116mm)  
MATCH RETRACTABLE SCREEN JAMB MOULDING

**Note:** • Other jamb widths available.  
• All dimensions to have +/- 1/16" (2mm) tolerance.

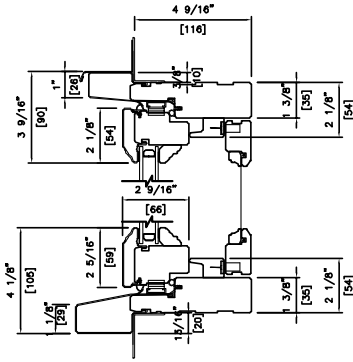


Cyprium Collection -  
Windows - **Casement**

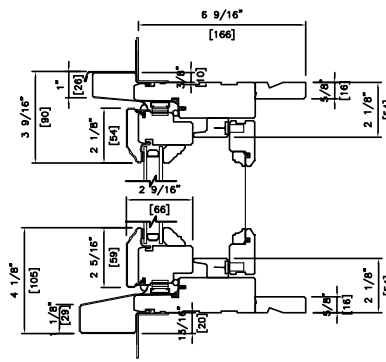
*Drawings*

**Push Out French Casement**

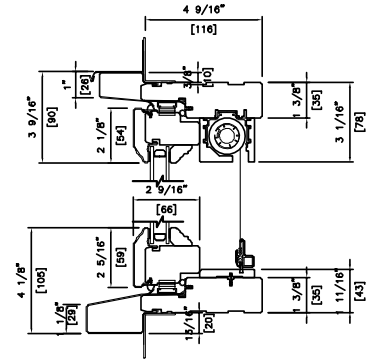
**Head & Sill  
Detail**



**CYPRIMUM DOUBLE**  
4 9/16" (116 mm)  
**HINGED WOOD SCREEN**

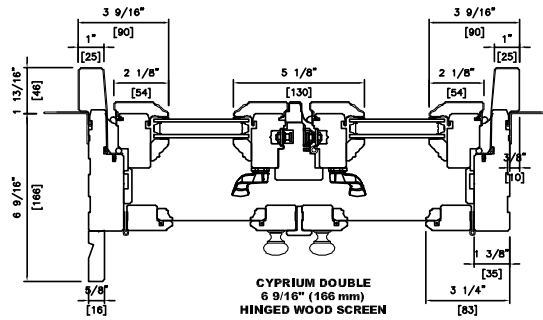


**CYPRIMUM DOUBLE**  
6 9/16" (166 mm)  
**HINGED WOOD SCREEN**

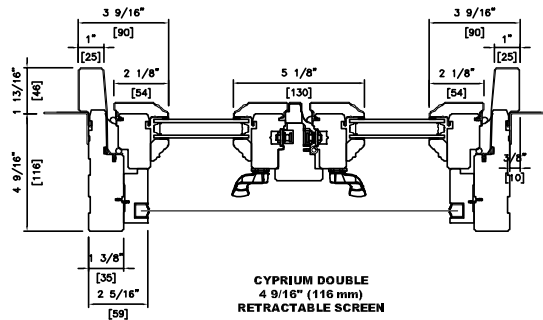


**CYPRIMUM DOUBLE**  
4 9/16" (116 mm)  
**RETRACTABLE SCREEN**

**Plan View**



**CYPRIMUM DOUBLE**  
6 9/16" (166 mm)  
**HINGED WOOD SCREEN**



**CYPRIMUM DOUBLE**  
4 9/16" (116 mm)  
**RETRACTABLE SCREEN**

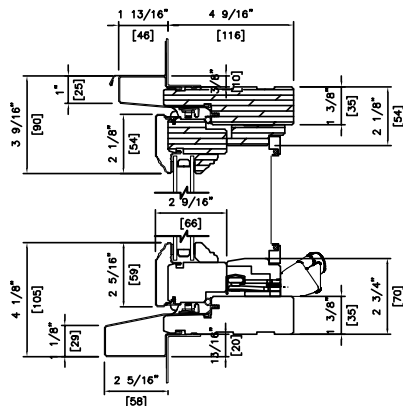
**Note:** • Other jamb widths available.  
• All dimensions to have +/- 1/16" (2mm) tolerance.

Cyprimum Collection -  
Windows - **Casement**

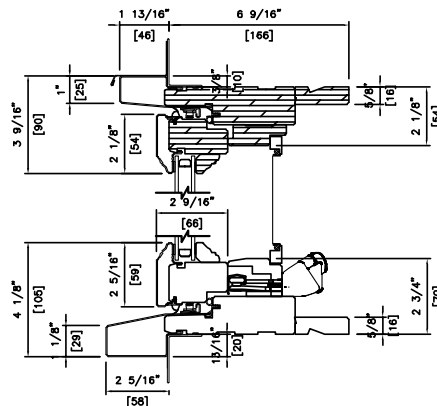
Drawings

# Radius Top Casement

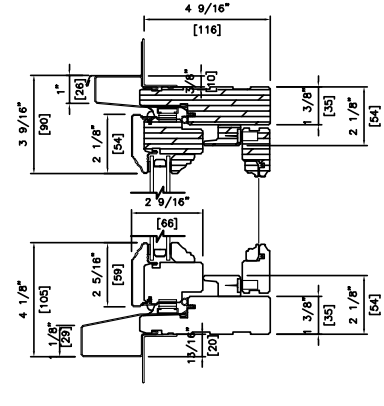
## Head & Sill Detail



**CYPRIMUM DOUBLE**  
4 9/16" (116mm)  
STANDARD  
STANDARD SCREEN

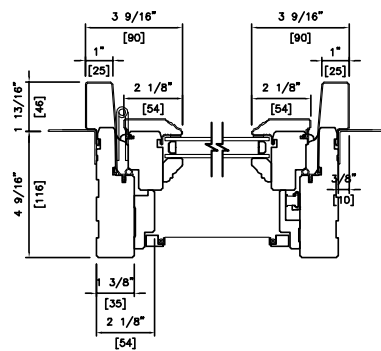


**CYPRIMUM DOUBLE**  
6 9/16" (166mm)  
STANDARD  
STANDARD SCREEN

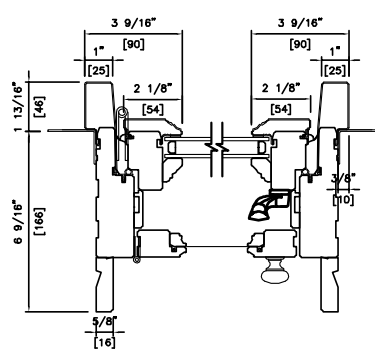


**CYPRIMUM DOUBLE**  
4 9/16" (116mm)  
PUSHOUT  
HINGED WOOD SCREEN

## Plan View



**CYPRIMUM DOUBLE**  
4 9/16" (116mm)  
STANDARD  
STANDARD SCREEN



**CYPRIMUM DOUBLE**  
6 9/16" (166mm)  
PUSHOUT  
HINGED WOOD SCREEN



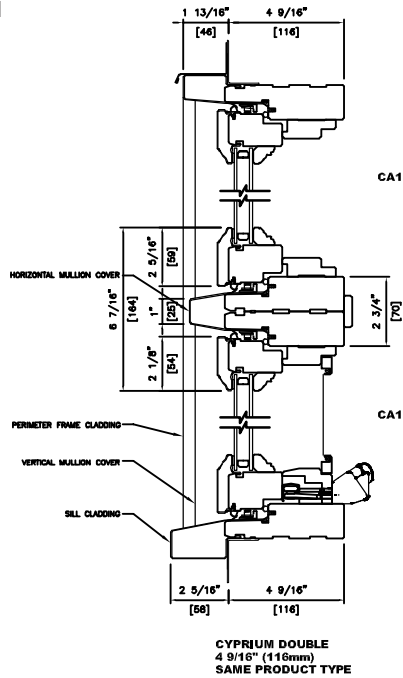
Note: • Other jamb widths available.  
• All dimensions to have +/- 1/16" (2mm) tolerance.

Cyprium Collection -  
Windows - Casement

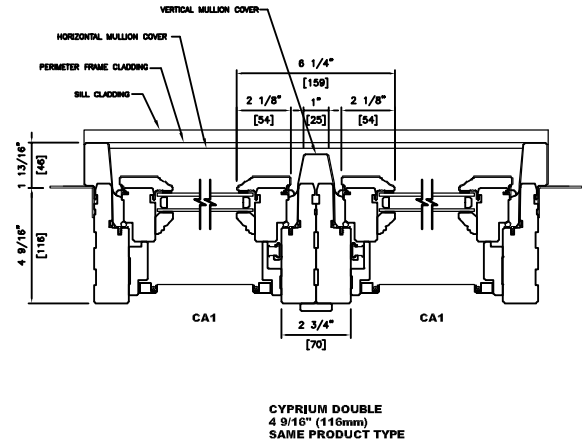
Drawings

Recessed Mullion Casement

Head & Sill  
Detail

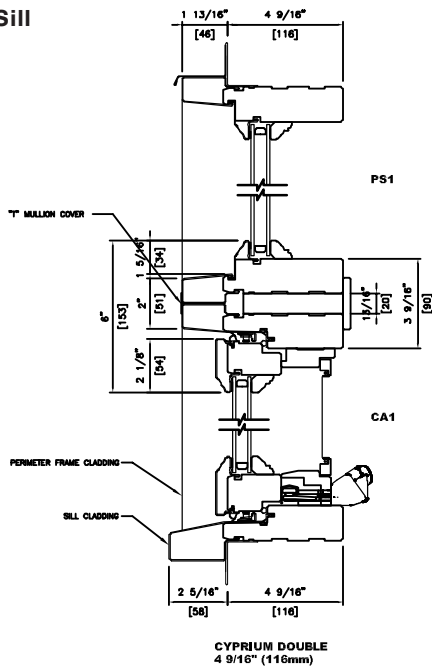


Plan View

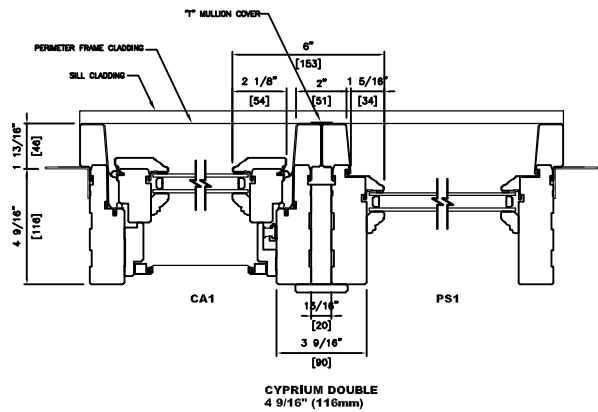


Cyprium Casement "T" Mullion with Picture/Direct Set Window Detail

Head & Sill  
Detail



Plan View



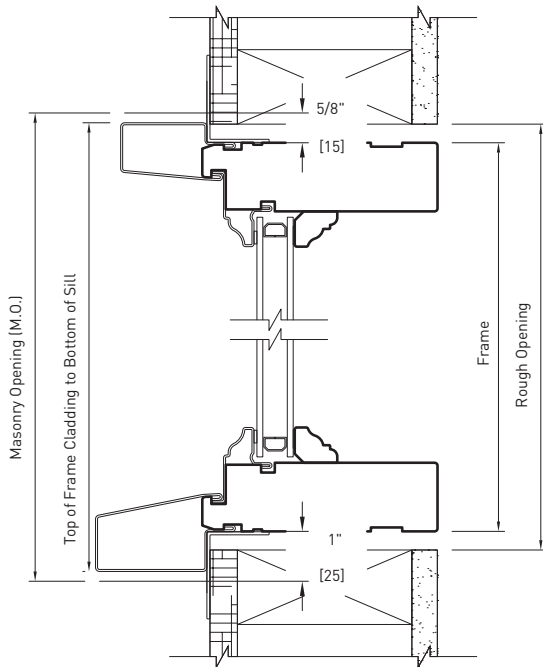
Note: • Other jamb widths available.  
• All dimensions to have +/- 1/16" (2mm) tolerance.

Cyprium Collection -  
Windows - **Casement**

*Drawings*

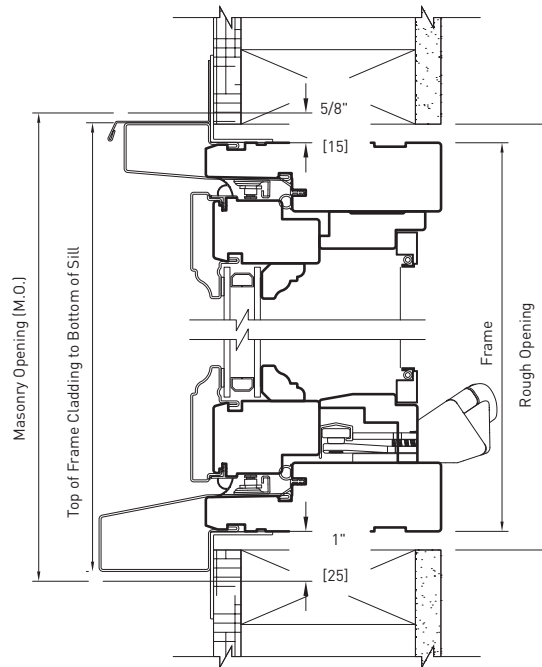
**Masonry Opening**

**Cyprium Frame Cladding.**  
Add 5/8" (15mm) to  
Frame Dimensions at Head & Sides.



**Cyprium Sill.**  
Add 1" (25 mm) to  
Frame Dimension at Sill.

**Cyprium Frame Cladding.**  
Add 5/8" (15mm) to  
Frame Dimensions at Head & Sides.



**Cyprium Sill.**  
Add 1" (25 mm) to  
Frame Dimension at Sill.

- EXAMPLE #1: PS1 2415, Frame dimensions, 94 1/2" (2400mm) x 59 1/16" (1500mm).  
Masonry width = 94 1/2" (2400mm) + [5/8" (15mm) x 2] = 95 3/4" (2430mm)  
Masonry height = 59 1/16" (1500mm) + 5/8" (15mm) + 1" (25mm) = 60 11/16" (1540mm)
- EXAMPLE #2: CA1 0816, Frame dimensions, 31 1/2" (800mm) x 63" (1600mm).  
Masonry width = 31 1/2" (800mm) + [5/8" (15mm) x 2] = 32 3/4" (830mm)  
Masonry height = 63" (1600mm) + 5/8" (15mm) + 1" (25mm) = 64 5/8" (1640mm)



Cyprium Collection -  
Windows - **Awning**

Size Charts

**AW1**

Width

Height

Rough Opening			20 7/16 [519]	24 3/8 [619]	28 5/16 [719]	30 1/4 [769]	32 1/4 [819]	36 3/16 [919]	40 1/8 [1019]	42 [1067]	48 [1219]	55 7/8 [1419]	59 13/16 [1519]	63 3/4 [1619]
Frame			19 11/16 [500]	23 5/8 [600]	27 9/16 [700]	29 1/2 [750]	31 1/2 [800]	35 7/16 [900]	39 3/8 [1000]	41 1/4 [1048]	47 1/4 [1200]	55 1/8 [1400]	59 1/16 [1500]	63 [1600]
Visible Glass			13 7/16 [341]	17 3/8 [441]	21 5/16 [541]	23 1/4 [591]	25 1/4 [641]	29 3/16 [741]	33 1/8 [841]	35 [889]	41 [1041]	48 7/8 [1241]	52 13/16 [1341]	56 3/4 [1441]
16 1/2 [419]	15 3/4 [400]	9 5/16 [236]	AW1* 0504	AW1* 0604	AW1* 0704	AW1* 7504	AW1* 0804	AW1* 0904	AW1* 1004	AW1* 1104	AW1* 1204	AW1* 1404	AW1* 1504	AW1* 1604
20 7/16 [519]	19 11/16 [500]	13 1/4 [336]	AW1* 0505	AW1* 0605	AW1* 0705	AW1* 7505	AW1* 0805	AW1* 0905	AW1* 1005	AW1* 1105	AW1* 1205	AW1* 1405	AW1* 1505	AW1* 1605
24 3/8 [619]	23 5/8 [600]	17 3/16 [436]	AW1* 0506	AW1 0606	AW1 0706	AW1 7506	AW1 0806	AW1 0906	AW1 1006	AW1 1106	AW1 1206	AW1 1406	AW1 1506	AW1 1606
28 5/16 [719]	27 9/16 [700]	21 1/8 [536]	AW1* 0507	AW1 0607	AW1 0707	AW1 7507	AW1 0807	AW1 0907	AW1 1007	AW1 1107	AW1 1207	AW1 1407	AW1 1507	AW1 1607
30 1/4 [769]	29 1/2 [750]	23 1/16 [586]	AW1* 0575	AW1 0675	AW1 0775	AW1 7575	AW1 0875	AW1 0975	✳ AW1 1075	AW1 1175	✳ AW1 1275	✳ AW1 1475	✳ AW1 1575	AW1* 1675
32 1/4 [819]	31 1/2 [800]	25 1/16 [636]	AW1* 0508	AW1 0608	AW1 0708	AW1 7508	AW1 0808	AW1 0908	✳ AW1 1008	AW1 1108	✳ AW1 1208	✳ AW1 1408	✳ AW1 1508	AW1* 1608
36 3/16 [919]	35 7/16 [900]	29 [736]	AW1* 0509	AW1 0609	AW1 0709	AW1 7509	AW1 0809	✳ AW1 0909	✳ AW1 1009	AW1 1109	✳ AW1 1209	✳ AW1 1409	✳ AW1 1509	AW1* 1609
40 1/8 [1019]	39 3/8 [1000]	32 15/16 [836]	AW1* 0510	AW1 0610	AW1 0710	AW1 7510	AW1 0810	✳ AW1 0910	✳ AW1 1010	AW1 1110	✳ AW1 1210	✳ AW1 1410	✳ AW1 1510	AW1* 1610
42 [1067]	41 1/4 [1048]	34 13/16 [884]	AW1* 0511	AW1 0611	AW1 0711	AW1 7511	AW1 0811	✳ AW1 0911	✳ AW1 1011	AW1 1111	✳ AW1 1211	✳ AW1 1411	✳ AW1 1511	AW1* 1611
48 [1219]	47 1/4 [1200]	40 13/16 [1036]	AW1* 0512	AW1 0612	AW1 0712	✳ AW1 7512	✳ AW1 0812	✳ AW1 0912	✳ AW1 1012	AW1 1112	✳ AW1 1212	✳ AW1 1412	✳ AW1 1512	AW1* 1612

Product Code

Glass Size = Visible Glass + 1 3/16" (30 mm)

**Standard sizes Shown. Additional sizes may be available. Custom sizes can be ordered.**

**Note:** SDL/Grille patterns are dependent on SDL/Grille type and window size. Please verify SDL/Grille patterns before confirming your order. Available with Push Out hardware. For Masonry opening information see page P19. Sizes are shown as double glazing, not all sizes may be available in triple glazing.  
\* Only available with Rotogear hardware

Egress calculations are based on the unit being opened at 70° for washability hinge, 80° for egress hinge, and having minimum clear openings of:  
★ Meets US Egress: 20" in width, 24" in height, with a total egress area of 5.7 Sq Ft  
✳ Meets Canadian Egress: 15" in width, 15" in height, with a total egress area of 3.8 Sq Ft  
Please check your local building codes for any variation in Egress Standards from those stated above. For egress information, contact your Authorized Loewen Dealer.

Cyprum Collection -  
Windows - **Awning**

Size Charts

**AW2 (2 Wide)**

Width

Height

Rough Opening			48 [1219]	55 7/8 [1419]	59 13/16 [1519]	63 3/4 [1619]	71 5/8 [1819]	71 5/8 [2019]	83 1/4 [2134]	95 1/4 [2419]
	Frame		47 1/4 [1200]	55 1/8 [1400]	59 1/16 [1500]	63 [1600]	70 7/8 [1800]	70 7/8 [2000]	82 1/2 [2096]	94 1/2 [2400]
	Visible Glass		17 3/8 [441]	21 5/16 [541]	23 1/4 [591]	25 1/4 [641]	29 3/16 [741]	33 1/8 [841]	35 [889]	41 [1041]
16 1/2 [419]	15 3/4 [400]	9 5/16 [236]	AW2* 1204	AW2* 1404	AW2* 1504	AW2* 1604	AW2* 1804	AW2* 2004	AW2* 2204	AW2* 2404
20 7/16 [519]	19 11/16 [500]	13 1/4 [336]	AW2* 1205	AW2* 1405	AW2* 1505	AW2* 1605	AW2* 1805	AW2* 2005	AW2* 2205	AW2* 2405
24 3/8 [619]	23 5/8 [600]	17 3/16 [436]	AW2 1206	AW2 1406	AW2 1506	AW2 1606	AW2 1806	AW2 2006	AW2 2206	AW2 2406
28 5/16 [719]	27 9/16 [700]	21 1/8 [536]	AW2 1207	AW2 1407	AW2 1507	AW2 1607	AW2 1807	AW2 2007	AW2 2207	AW2 2407
30 1/4 [769]	29 1/2 [750]	23 1/16 [586]	AW2 1275	AW2 1475	AW2 1575	AW2 1675	AW2 1875	♣ AW2 2075	♣ AW2 2275	♣ AW2 2475
32 1/4 [819]	31 1/2 [800]	25 1/16 [636]	AW2 1208	AW2 1408	AW2 1508	AW2 1608	AW2 1808	♣ AW2 2008	♣ AW2 2208	♣ AW2 2408
36 3/16 [919]	35 7/16 [900]	29 [736]	AW2 1209	AW2 1409	AW2 1509	AW2 1609	♣ AW2 1809	♣ AW2 2009	♣ AW2 2209	♣ AW2 2409
40 1/8 [1019]	39 3/8 [1000]	32 15/16 [836]	AW2 1210	AW2 1410	AW2 1510	AW2 1610	♣ AW2 1810	♣ AW2 2010	♣ AW2 2210	♣ AW2 2410
42 [1067]	41 1/4 [1048]	34 13/16 [884]	AW2 1211	AW2 1411	AW2 1511	AW2 1611	♣ AW2 1811	♣ AW2 2011	♣ AW2 2211	♣ AW2 2411
48 [1219]	47 1/4 [1200]	40 13/16 [1036]	AW2 1212	AW2 1412	♣ AW2 1512	♣ AW2 1612	♣ AW2 1812	♣ AW2 2012	♣ AW2 2212	♣ AW2 2412

Product Code

Glass Size = Visible Glass + 1 3/16" (30 mm)

**Standard sizes Shown. Additional sizes may be available. Custom sizes can be ordered.**

**Note:** SDL/Grille patterns are dependent on SDL/Grille type and window size. Please verify SDL/Grille patterns before confirming your order.  
Available with Push Out hardware.  
For Masonry opening information see page P19.  
Sizes are shown as double glazing, not all sizes may be available in triple glazing.  
\* Only available with Rotogear hardware

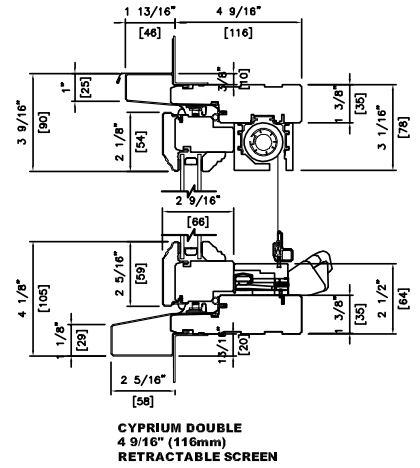
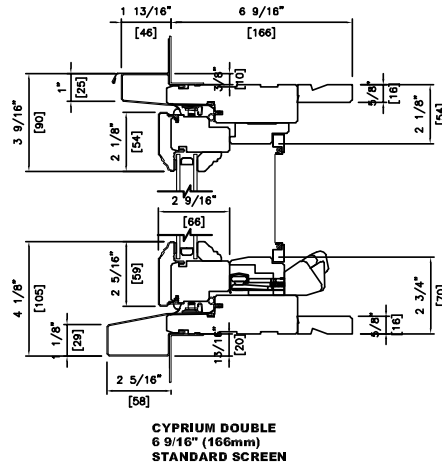
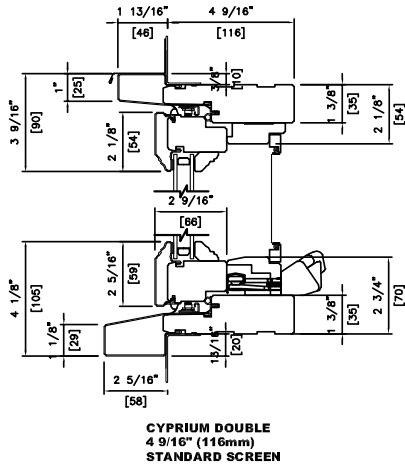
Egress calculations are based on the unit being opened at 70° for washability hinge, 80° for egress hinge, and having minimum clear openings of:  
★ Meets US Egress: 20" in width, 24" in height, with a total egress area of 5.7 Sq Ft  
♣ Meets Canadian Egress: 15" in width, 15" in height, with a total egress area of 3.8 Sq Ft  
Please check your local building codes for any variation in Egress Standards from those stated above. For egress information, contact your Authorized Loewen Dealer.

Cyprium Collection -  
Windows - **Awning**

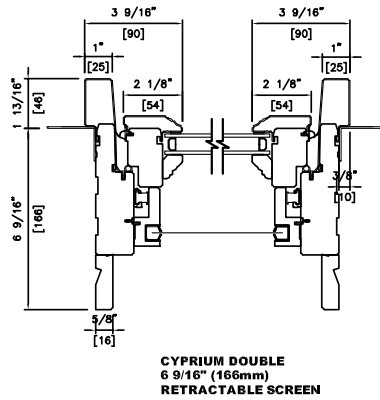
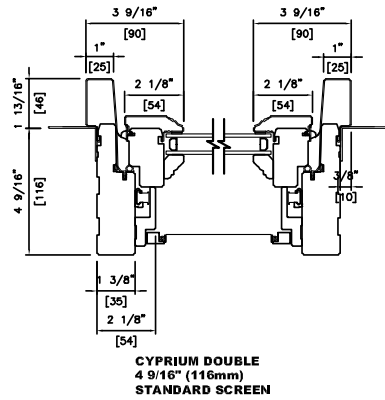
Drawings

**Awning**

**Head & Sill  
Detail**



**Plan View**



**Note:**

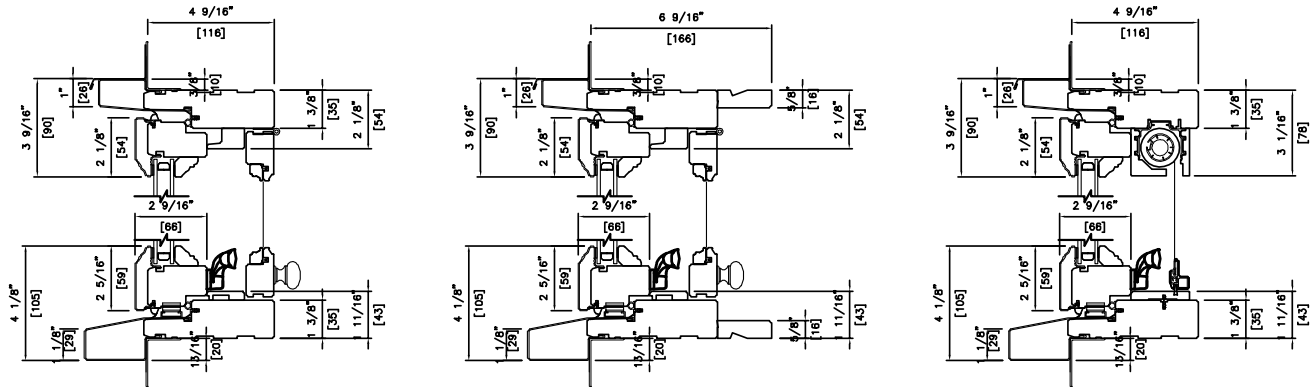
- Other jamb widths available.
- All dimensions to have +/- 1/16" (2mm) tolerance.

Cyprimum Collection -  
Windows - **Awning**

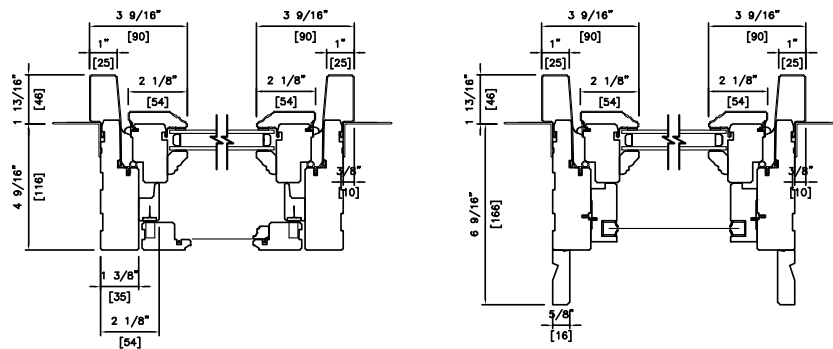
Drawings

# Push Out Awning

## Head & Sill Detail



## Plan View



**CYPRIMUM DOUBLE**  
4 9/16" (116mm)  
**HINGED WOOD SCREEN**

**CYPRIMUM DOUBLE**  
6 9/16" (166mm)  
**RETRACTABLE SCREEN**

**Note:** • Other jamb widths available.  
• All dimensions to have +/- 1/16" (2mm) tolerance.



Cyprium Collection -  
Windows - **Picture/Direct Set**

Size Charts

**PS1**

Width

Height

Rough Opening			16 1/2 [419]	20 7/16 [519]	24 3/8 [619]	28 5/16 [719]	30 1/4 [769]	32 1/4 [819]	36 3/16 [919]	40 1/8 [1019]
		Frame	15 3/4 [400]	19 11/16 [500]	23 5/8 [600]	27 9/16 [700]	29 1/2 [750]	31 1/2 [800]	35 7/16 [900]	39 3/8 [1000]
		Visible Glass	11 9/16 [294]	15 1/2 [394]	19 7/16 [494]	23 3/8 [594]	25 3/8 [644]	27 5/16 [694]	31 1/4 [794]	35 3/16 [894]
12 9/16 [319]	11 13/16 [300]	7 5/8 [194]	PS1 0403	PS1 0503	PS1 0603	PS1 0703	PS1 7503	PS1 0803	PS1 0903	PS1 1003
16 1/2 [419]	15 3/4 [400]	11 9/16 [294]	PS1 0404	PS1 0504	PS1 0604	PS1 0704	PS1 7504	PS1 0804	PS1 0904	PS1 1004
20 7/16 [519]	19 11/16 [500]	15 1/2 [394]	PS1 0405	PS1 0505	PS1 0605	PS1 0705	PS1 7505	PS1 0805	PS1 0905	PS1 1005
24 3/8 [619]	23 5/8 [600]	19 7/16 [494]	PS1 0406	PS1 0506	PS1 0606	PS1 0706	PS1 7506	PS1 0806	PS1 0906	PS1 1006
28 5/16 [719]	27 9/16 [700]	23 3/8 [594]	PS1 0407	PS1 0507	PS1 0607	PS1 0707	PS1 7507	PS1 0807	PS1 0907	PS1 1007
30 1/4 [769]	29 1/2 [750]	25 3/8 [644]	PS1 0475	PS1 0575	PS1 0675	PS1 0775	PS1 7575	PS1 0875	PS1 0975	PS1 1075
32 1/4 [819]	31 1/2 [800]	27 15/16 [694]	PS1 0408	PS1 0508	PS1 0608	PS1 0708	PS1 7508	PS1 0808	PS1 0908	PS1 1008
36 3/16 [919]	35 7/16 [900]	31 1/4 [794]	PS1 0409	PS1 0509	PS1 0609	PS1 0709	PS1 7509	PS1 0809	PS1 0909	PS1 1009
40 1/8 [1019]	39 3/8 [1000]	35 3/16 [894]	PS1 0410	PS1 0510	PS1 0610	PS1 0710	PS1 7510	PS1 0810	PS1 0910	PS1 1010
48 [1219]	47 1/4 [1200]	43 1/16 [1094]	PS1 0412	PS1 0512	PS1 0612	PS1 0712	PS1 7512	PS1 0812	PS1 0912	PS1 1012
55 7/8 [1419]	55 1/8 [1400]	50 15/16 [1294]	PS1 0414	PS1 0514	PS1 0614	PS1 0714	PS1 7514	PS1 0814	PS1 0914	PS1 1014
59 13/16 [1519]	59 1/16 [1500]	54 7/8 [1394]	PS1 0415	PS1 0515	PS1 0615	PS1 0715	PS1 7515	PS1 0815	PS1 0915	PS1 1015
63 3/4 [1619]	63 [1600]	58 13/16 [1494]	PS1 0416	PS1 0516	PS1 0616	PS1 0716	PS1 7516	PS1 0816	PS1 0916	PS1 1016
71 5/8 [1819]	70 7/8 [1800]	66 11/16 [1694]	PS1 0418	PS1 0518	PS1 0618	PS1 0718	PS1 7518	PS1 0818	PS1 0918	PS1 1018
83 7/16 [2119]	82 11/16 [2100]	78 1/2 [1994]	PS1 0421	PS1 0521	PS1 0621	PS1 0721	PS1 7521	PS1 0821	PS1 0921	PS1 1021
95 1/4 [2419]	94 1/2 [2400]	90 5/16 [2294]		PS1 0524	PS1 0624	PS1 0724	PS1 7524	PS1 0824	PS1 0924	PS1 1024
118 7/8 [3019]	118 1/8 [3000]	113 15/16 [2894]			PS1 0630	PS1 0730	PS1 7530	PS1 0830	PS1 0930	PS1 1030

Product Code

Glass Size = Visible Glass + 1 3/16" (30 mm)

Standard sizes Shown. Additional sizes may be available. Custom sizes can be ordered.

Note: • For Masonry opening information see page P19.

Cyprum Collection -  
Windows - **Picture/Direct Set**

Size Charts

**PS1**

Width

Height

Rough Opening			48 [1219]	55 7/8 [1419]	59 13/16 [1519]	63 3/4 [1619]	71 5/8 [1819]	83 7/16 [2119]	95 1/4 [2419]	118 7/8 [3019]
Frame			47 1/4 [1200]	55 1/8 [1400]	59 1/16 [1500]	63 [1600]	70 7/8 [1800]	82 11/16 [2100]	94 1/2 [2400]	118 1/8 [3000]
Visible Glass			43 1/16 [1094]	50 15/16 [1294]	54 7/8 [1394]	58 13/16 [1492]	66 11/16 [1694]	78 1/2 [1994]	90 5/16 [2294]	113 15/16 [2894]
12 9/16 [319]	11 13/16 [300]	7 5/8 [194]	PS1 1203	PS1 1403	PS1 1503	PS1 1603	PS1 1803	PS1 2103		
16 1/2 [419]	15 3/4 [400]	11 9/16 [294]	PS1 1204	PS1 1404	PS1 1504	PS1 1604	PS1 1804	PS1 2104		
20 7/16 [519]	19 11/16 [500]	15 1/2 [394]	PS1 1205	PS1 1405	PS1 1505	PS1 1605	PS1 1805	PS1 2105	PS1 2405	
24 3/8 [619]	23 5/8 [600]	19 7/16 [494]	PS1 1206	PS1 1406	PS1 1506	PS1 1606	PS1 1806	PS1 2106	PS1 2406	PS1 3006
28 5/16 [719]	27 9/16 [700]	23 3/8 [594]	PS1 1207	PS1 1407	PS1 1507	PS1 1607	PS1 1807	PS1 2107	PS1 2407	PS1 3007
30 1/4 [769]	29 1/2 [750]	25 3/8 [644]	PS1 1275	PS1 1475	PS1 1575	PS1 1675	PS1 1875	PS1 2175	PS1 2475	PS1 3075
32 1/4 [819]	31 1/2 [800]	27 15/16 [694]	PS1 1208	PS1 1408	PS1 1508	PS1 1608	PS1 1808	PS1 2108	PS1 2408	PS1 3008
36 3/16 [919]	35 7/16 [900]	31 1/4 [794]	PS1 1209	PS1 1409	PS1 1509	PS1 1609	PS1 1809	PS1 2109	PS1 2409	PS1 3009
40 1/8 [1019]	39 3/8 [1000]	35 3/16 [894]	PS1 1210	PS1 1410	PS1 1510	PS1 1610	PS1 1810	PS1 2110	PS1 2410	PS1 3010
48 [1219]	47 1/4 [1200]	43 1/16 [1094]	PS1 1212	PS1 1412	PS1 1512	PS1 1612	PS1 1812	PS1 2112	PS1 2412	PS1 3012
55 7/8 [1419]	55 1/8 [1400]	50 15/16 [1294]	PS1 1214	PS1 1414	PS1 1514	PS1 1614	PS1 1814	PS1 2114	PS1 2414	PS1 3014
59 13/16 [1519]	59 1/16 [1500]	54 7/8 [1394]	PS1 1215	PS1 1415	PS1 1515	PS1 1615	PS1 1815	PS1 2115	PS1 2415	PS1 3015
63 3/4 [1619]	63 [1600]	58 13/16 [1494]	PS1 1216	PS1 1416	PS1 1516	PS1 1616	PS1 1816	PS1 2116	PS1 2416	PS1 3016
71 5/8 [1819]	70 7/8 [1800]	66 11/16 [1694]	PS1 1218	PS1 1418	PS1 1518	PS1 1618	PS1 1818	PS1 2118	PS1 2418	PS1 3018
83 7/16 [2119]	82 11/16 [2100]	78 1/2 [1994]	PS1 1221	PS1 1421	PS1 1521	PS1 1621	PS1 1821	PS1 2121	PS1 2421	
95 1/4 [2419]	94 1/2 [2400]	90 5/16 [2294]	PS1 1224	PS1 1424	PS1 1524	PS1 1624	PS1 1824	PS1 2124		
118 7/8 [3019]	118 1/8 [3000]	113 15/16 [2894]	PS1 1230	PS1 1430	PS1 1530	PS1 1630	PS1 1830			

Product Code

Glass Size = Visible Glass + 1 3/16" (30 mm)

Standard sizes Shown. Additional sizes may be available. Custom sizes can be ordered.

Note: • For Masonry opening information see page P19.

Cyprium Collection -  
Windows - **Picture/Direct Set**

Size Charts

**PS2 (2 Wide)**

Width

Height

Rough Opening			48 [1219]	55 7/8 [1419]	59 13/16 [1519]	63 3/4 [1619]	71 5/8 [1819]	79 1/2 [2019]	95 1/4 [2419]
Frame			47 1/4 [1200]	55 1/8 [1400]	59 1/16 [1500]	63 [1600]	70 7/8 [1800]	78 3/4 [2000]	94 1/2 [2400]
Visible Glass			19 7/16 [494]	23 3/8 [594]	25 3/8 [644]	27 5/16 [694]	31 1/4 [794]	35 3/16 [894]	43 1/16 [1094]
24 3/8 [619]	23 5/8 [600]	19 7/16 [494]	PS2 1206	PS2 1406	PS2 1506	PS2 1606	PS2 1806	PS2 2006	PS2 2406
28 5/16 [719]	27 9/16 [700]	23 3/8 [594]	PS2 1207	PS2 1407	PS2 1507	PS2 1607	PS2 1807	PS2 2007	PS2 2407
30 1/4 [769]	29 1/2 [750]	25 3/8 [644]	PS2 1275	PS2 1475	PS2 1575	PS2 1675	PS2 1875	PS2 2075	PS2 2475
32 1/4 [819]	31 1/2 [800]	27 15/16 [694]	PS2 1208	PS2 1408	PS2 1508	PS2 1608	PS2 1808	PS2 2008	PS2 2408
36 3/16 [919]	35 7/16 [900]	31 1/4 [794]	PS2 1209	PS2 1409	PS2 1509	PS2 1609	PS2 1809	PS2 2009	PS2 2409
40 1/8 [1019]	39 3/8 [1000]	35 3/16 [894]	PS2 1210	PS2 1410	PS2 1510	PS2 1610	PS2 1810	PS2 2010	PS2 2410
48 [1219]	47 1/4 [1200]	43 1/16 [1094]	PS2 1212	PS2 1412	PS2 1512	PS2 1612	PS2 1812	PS2 2012	PS2 2412
55 7/8 [1419]	55 1/8 [1400]	50 15/16 [1294]	PS2 1214	PS2 1414	PS2 1514	PS2 1614	PS2 1814	PS2 2014	PS2 2414
59 13/16 [1519]	59 1/16 [1500]	54 7/8 [1394]	PS2 1215	PS2 1415	PS2 1515	PS2 1615	PS2 1815	PS2 2015	PS2 2415
63 3/4 [1619]	63 [1600]	58 13/16 [1494]	PS2 1216	PS2 1416	PS2 1516	PS2 1616	PS2 1816	PS2 2016	PS2 2416
71 5/8 [1819]	70 7/8 [1800]	66 11/16 [1694]	PS2 1218	PS2 1418	PS2 1518	PS2 1618	PS2 1818	PS2 2018	PS2 2418
83 7/16 [2119]	82 11/16 [2100]	78 1/2 [1994]	PS2 1221	PS2 1421	PS2 1521	PS2 1621	PS2 1821	PS2 2021	PS2 2421

Product Code

Glass Size = Visible Glass + 1 3/16" (30 mm)

Standard sizes Shown. Additional sizes may be available. Custom sizes can be ordered.

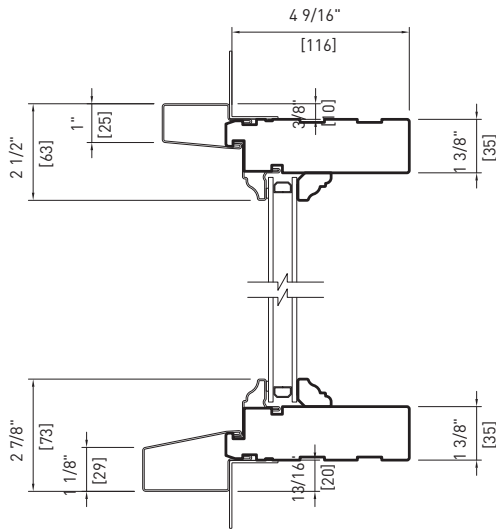
Note: • For Masonry opening information see page P19.

Cyprimum Collection -  
Windows - **Picture/Direct Set**

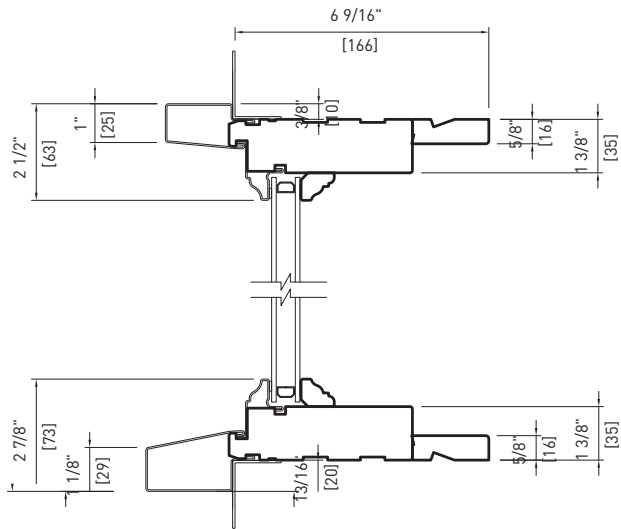
*Size Charts*

## Picture/Direct Set

### Head & Sill Detail

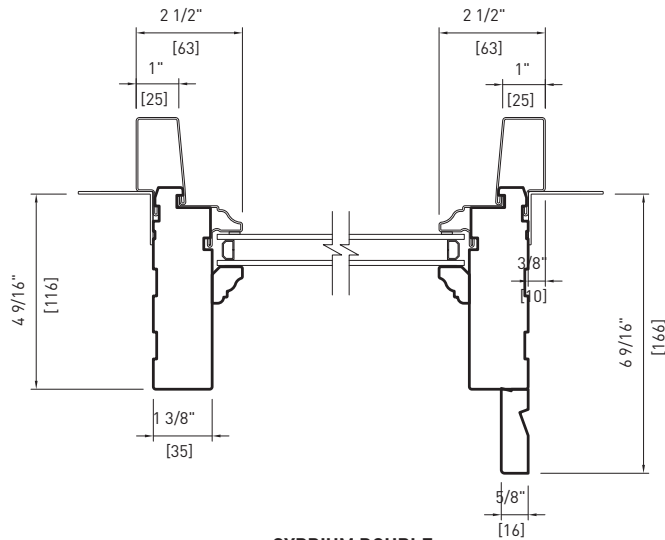


**CYPRIUM DOUBLE**  
4 9/16" [116 mm]



**CYPRIUM DOUBLE**  
6 9/16" [166 mm]

### Plan View



**CYPRIUM DOUBLE**  
4 9/16" [116 mm] / 6 9/16" [166 mm]

**Note:**

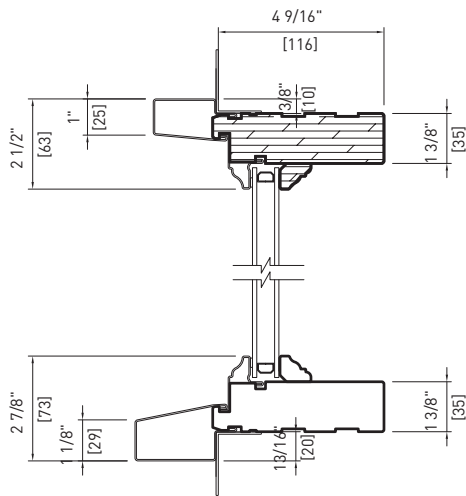
- Other jamb widths available.
- All dimensions to have +/- 1/16" (2mm) tolerance.

Cyprium Collection -  
Windows - **Picture/Direct Set**

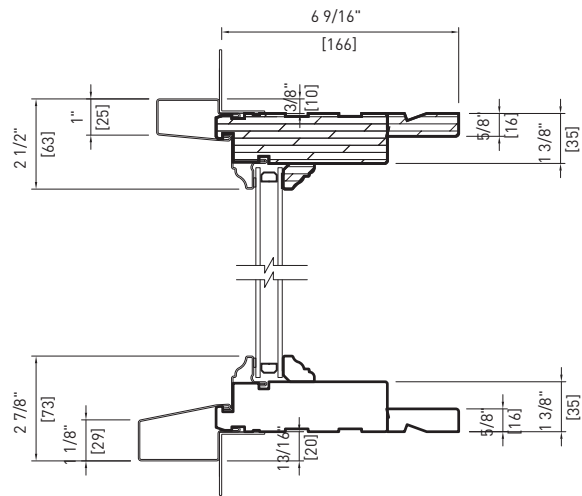
*Drawings*

**Shaped Picture/Direct Set**

**Head & Sill  
Detail**

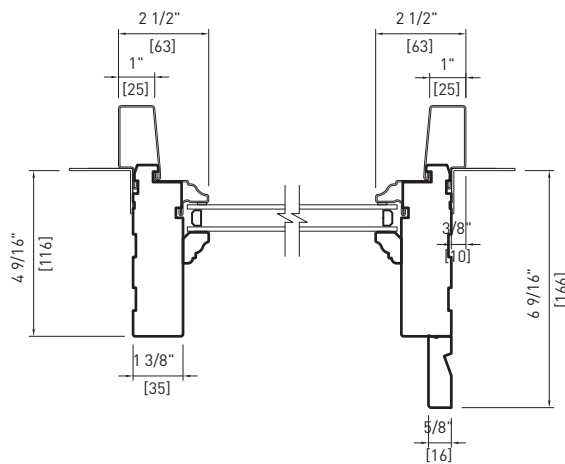


**CYPRIMUM DOUBLE**  
4 9/16" (116 mm)



**CYPRIMUM DOUBLE**  
6 9/16" (166 mm)

**Plan View**



**CYPRIMUM DOUBLE**  
4 9/16" (116 mm) / 6 9/16" (166 mm)

**Note:**

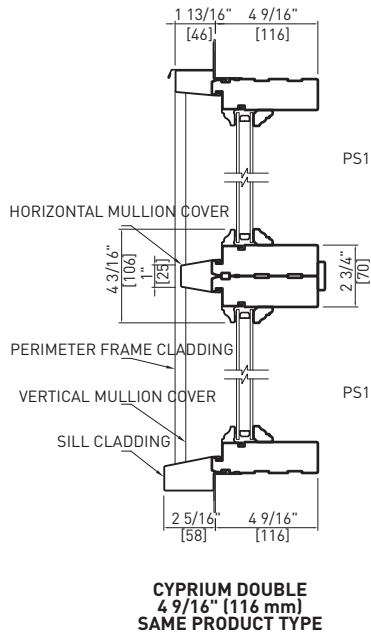
- Other jamb widths available.
- All dimensions to have +/- 1/16" (2mm) tolerance.

Cyprimum Collection -  
Windows - **Picture/Direct Set**

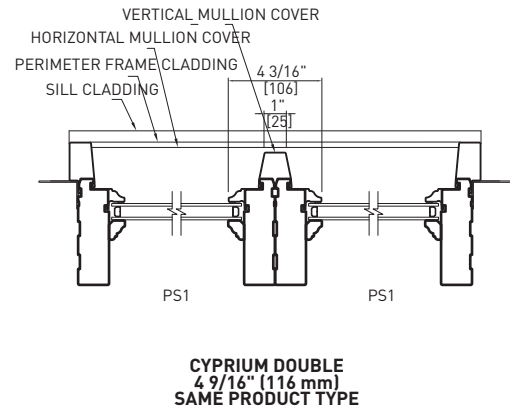
*Drawings*

## Recessed Mullion Picture/Direct Set

### Head & Sill Detail

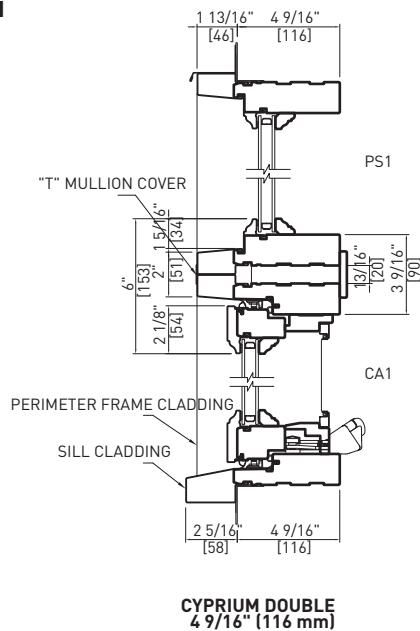


### Plan View

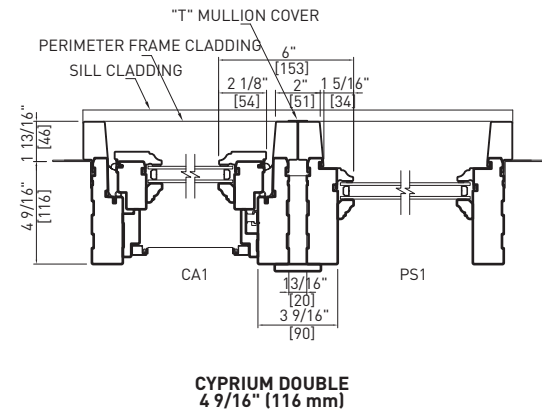


## Cyprimum Picture/Direct Set "T" Mullion Window Detail with CA1

### Head & Sill Detail



### Plan View



**Note:**

- Other jamb widths available.
- All dimensions to have +/- 1/16" (2mm) tolerance.



Cyprium Collection -  
Doors - **Terrace Door and Transom**

Size Charts

**TDT1**

				Width							
Rough Opening				Inswing w/ Jamb Ext. <sup>1</sup>	19 1/8 [485]	25 [635]	31 7/8 [809]	35 1/82 [892]	37 3/4 [959]	41 11/16 [1059]	45 1/4 [1150]
				R.O. <sup>2</sup>	18 7/16 [469]	24 3/8 [619]	31 1/4 [793]	34 1/2 [876]	37 1/8 [943]	41 1/16 [1043]	44 5/8 [1134]
				Frame	17 11/16 [450]	23 5/8 [600]	30 1/2 [774]	33 3/4 [857]	36 3/8 [924]	40 5/16 [1024]	43 7/8 [1115]
Inswing w/ Jamb Ext. <sup>1</sup>	R.O. <sup>2</sup>			Visible Glass	6 15/16 [176]	12 13/16 [326]	19 11/16 [500]	22 15/16 [583]	25 9/16 [650]	29 1/2 [750]	33 1/8 [841]
				Transom							
16 5/8 [422]	16 5/16 [415]	15 3/4 [400]	9 1/2 [241]	TDT1 0404	TDT1 0604	TDT1 0704	TDT1 0804	TDT1 0904	TDT1 1004	TDT1 1104	
24 1/2 [622]	24 3/16 [615]	23 5/8 [600]	17 3/8 [441]	TDT1 0406	TDT1 0606	TDT1 0706	TDT1 0806	TDT1 0906	TDT1 1006	TDT1 1106	
				Venting		Visible Glass					
80 3/8 [2042]	80 1/8 [2035]	79 1/2 [2020]	63 11/16 [1617]	VTD1 <sup>^</sup> 0420	VTD1 <sup>^</sup> 0620	TD1 0720	TD1 0820	TD1 0920	TD1 1020	TD1 1120	
82 3/16 [2087]	81 7/8 [2080]	81 5/16 [2065]	65 7/16 [1662]	VTD1 <sup>^</sup> 0421	VTD1 <sup>^</sup> 0621	TD1 0721	TD1 0821	TD1 0921	TD1 1021	TD1 1121	
86 7/8 [2206]	86 9/16 [2199]	86 [2184]	70 1/8 [1781]	VTD1 <sup>^</sup> 0470	VTD1 <sup>^</sup> 0670	TD1 0770	TD1 0870	TD1 0970	TD1 1070	TD1 1170	
95 3/8 [2422]	95 1/16 [2415]	94 1/2 [2400]	78 5/8 [1997]	VTD1 <sup>^</sup> 0424	VTD1 <sup>^</sup> 0624	TD1 0724	TD1 0824	TD1 0924	TD1 1024	TD1 1124	
98 1/4 [2496]	98 [2489]	97 3/8 [2474]	81 3/4 [2077]	VTD1 <sup>^</sup> 0480	VTD1 <sup>^</sup> 0680	TD1 0780	TD1 0880	TD1 0980	TD1 1080	TD1 1180	
99 15/16 [2538]	99 5/8 [2531]	99 1/16 [2516]	83 3/16 [2113]			TD1 0725	TD1 0825	TD1 0925			
107 3/16 [2722]	106 7/8 [2715]	106 5/16 [2700]	90 7/16 [2297]			TD1 0727	TD1 0827	TD1 0927			

Product Code

Glass Size = Visible Glass + 1 3/16" (30 mm)

**Standard sizes Shown. Additional sizes may be available. Custom sizes can be ordered.**

**Note:** • SDL/Grille patterns are dependent on SDL/Grille type and window size. Please verify SDL/Grille patterns before confirming your order.

\* Transom units.

<sup>^</sup> Venting or Fixed.

1 = Inswing doors with jamb extensions (other than 4 9/16" [116 mm] & 6 9/16" [166 mm] full jamb).

2 = Outswing doors (all) and inswing doors without jamb extensions (4 9/16" [116 mm] & 6 9/16" [166 mm] full jamb).

Cyprium Collection -  
Doors - **Terrace Door and Transom**

Size Charts

**TDT2 (2 Wide)**

Rough Opening				Width						
				Inswing w/ Jamb Ext. <sup>1</sup>	46 3/4 [1187]	60 7/16 [1535]	66 15/16 [1701]	72 1/4 [1835]	80 1/8 [2035]	87 5/16 [2217]
				R.O. <sup>2</sup>	46 1/8 [1171]	59 13/16 [1519]	66 5/16 [1685]	70 5/8 [1819]	79 1/2 [2019]	86 5/8 [2201]
				Frame	45 3/8 [1152]	59 1/16 [1500]	65 9/16 [1666]	70 7/8 [1800]	78 3/4 [2000]	85 7/8 [2182]
Inswing w/ Jamb Ext. <sup>1</sup>	R.O. <sup>2</sup>		Visible Glass	12 13/16 [326]	19 11/16 [500]	22 15/16 [583]	25 9/16 [650]	29 1/2 [750]	33 1/8 [841]	
				Transom						
16 5/8 [422]	16 5/16 [415]	15 3/4 [400]	9 1/2 [241]	TDT2* 1204	TDT2* 1504	TDT2* 1604	TDT2* 1804	TDT2* 2004	TDT2* 2204	
24 1/2 [622]	24 3/16 [615]	23 5/8 [600]	17 3/8 [441]	TDT2* 1206	TDT2* 1506	TDT2* 1606	TDT2* 1806	TDT2* 2006	TDT2* 2206	
				Doors						
80 3/8 [2042]	80 1/8 [2035]	79 1/2 [2020]	63 11/16 [1617]	TD2 1220	TD2 1520	TD2 1620	TD2 1820	TD2 2020	TD2 2220	
82 3/16 [2087]	81 7/8 [2080]	81 5/16 [2065]	65 7/16 [1662]	TD2 1221	TD2 1521	TD2 1621	TD2 1821	TD2 2021	TD2 2221	
86 7/8 [2206]	86 9/16 [2199]	86 [2184]	70 1/8 [1781]	TD2 1270	TD2 1570	TD2 1670	TD2 1870	TD2 2070	TD2 2270	
95 3/8 [2422]	95 1/16 [2415]	94 1/2 [2400]	78 5/8 [1997]	TD2 1224	TD2 1524	TD2 1624	TD2 1824	TD2 2024	TD2 2224	
98 1/4 [2496]	98 [2489]	97 3/8 [2474]	81 3/4 [2077]	TD2 1280	TD2 1580	TD2 1680	TD2 1880	TD2 2080	TD2 2280	
99 15/16 [2538]	99 5/8 [2531]	99 1/16 [2516]	83 3/16 [2113]	TD2 1225	TD2 1525	TD2 1625	TD2 1825			
107 3/16 [2722]	106 7/8 [2715]	106 5/16 [2700]	90 7/16 [2297]	TD2 1227	TD2 1527	TD2 1627	TD2 1827			

Product Code

Glass Size = Visible Glass + 1 3/16" (30 mm)

**Standard sizes Shown. Additional sizes may be available. Custom sizes can be ordered.**

**Note:** • SDL/Grille patterns are dependent on SDL/Grille type and window size. Please verify SDL/Grille patterns before confirming your order.

\* Transom units.

^ Venting or Fixed.

1 = Inswing doors with jamb extensions (other than 4 9/16" [116 mm] & 6 9/16" [166 mm] full jamb).

2 = Outswing doors (all) and inswing doors without jamb extensions (4 9/16" [116 mm] & 6 9/16" [166 mm] full jamb).

Cyprium Collection -  
Doors - **Camber Top Door and Transom**

Size Charts

**CTTD1**

				Width				
Rough Opening		Inswing w/ Jamb Ext. <sup>1</sup>		31 7/8 [809]	35 1/82 [892]	37 3/4 [959]	41 11/16 [1059]	45 1/4 [1150]
		R.O. <sup>2</sup>		31 1/4 [793]	34 1/2 [876]	37 1/8 [943]	41 1/16 [1043]	44 5/8 [1134]
		Frame		30 1/2 [774]	33 3/4 [857]	36 3/8 [924]	40 5/16 [1024]	43 7/8 [1115]
Inswing w/ Jamb Ext. <sup>1</sup>	R.O. <sup>2</sup>		Visible Glass	19 11/16 [500]	22 15/16 [583]	25 9/16 [650]	29 1/2 [750]	33 1/8 [841]
80 3/8 [2042]	80 1/8 [2035]	79 1/2 [2020]	63 3/4 [1619]	CTTD1 0720	CTTD1 0820	CTTD1 0920	CTTD1 1020	CTTD1 1120
82 3/16 [2087]	81 7/8 [2080]	81 5/16 [2065]	65 9/16 [1664]	CTTD1 0721	CTTD1 0821	CTTD1 0921	CTTD1 1021	CTTD1 1121
86 7/8 [2206]	86 9/16 [2199]	86 [2184]	70 3/16 [1783]	CTTD1 0770	CTTD1 0870	CTTD1 0970	CTTD1 1070	CTTD1 1170
95 3/8 [2422]	95 1/16 [2415]	94 1/2 [2400]	78 3/4 [1999]	CTTD1 0724	CTTD1 0824	CTTD1 0924	CTTD1 1024	CTTD1 1124
98 1/4 [2496]	98 [2489]	97 3/8 [2474]	81 3/4 [2077]	CTTD1 0780	CTTD1 0880	CTTD1 0980	CTTD1 1080	CTTD1 1180
99 15/16 [2538]	99 5/8 [2531]	99 1/16 [2516]	83 5/16 [2115]	CTTD1 0725	CTTD1 0825	CTTD1 0925		
107 3/16 [2722]	106 7/8 [2715]	106 5/16 [2700]	90 9/16 [2299]	CTTD1 0727	CTTD1 0827	CTTD1 0927		

Product Code

Glass Size = Visible Glass + 1 3/16" (30 mm)

Standard sizes Shown. Additional sizes may be available. Custom sizes can be ordered.

Note: • SDL/Grille patterns are dependent on SDL/Grille type and window size. Please verify SDL/Grille patterns before confirming your order.  
• 59 1/16" (1500 mm) radius

1 = Inswing doors with jamb extensions (other than 4 9/16" [116 mm] & 6 9/16" [166 mm] full jamb).  
2 = Outswing doors (all) and inswing doors without jamb extensions (4 9/16" [116 mm] & 6 9/16" [166 mm] full jamb).

Cyprium Collection -  
Doors - **Camber Top Door and Transom**

Size Charts

**CTTD2 (2 Wide)**

				Width				
Rough Opening		Inswing w/ Jamb Ext. <sup>1</sup>		60 7/16 [1535]	66 15/16 [1701]	72 1/4 [1835]	80 1/8 [2035]	87 5/16 [2217]
		R.O. <sup>2</sup>		59 13/16 [1519]	66 5/16 [1685]	70 5/8 [1819]	79 1/2 [2019]	86 5/8 [2201]
		Frame		59 1/16 [1500]	65 9/16 [1666]	70 7/8 [1800]	78 3/4 [2000]	85 7/8 [2182]
Inswing w/ Jamb Ext. <sup>1</sup>	R.O. <sup>2</sup>		Visible Glass	19 11/16 [500]	22 15/16 [583]	25 9/16 [650]	29 1/2 [750]	33 1/8 [841]
80 3/8 [2042]	80 1/8 [2035]	79 1/2 [2020]	63 11/16 [1617]	CTTD2 1520	CTTD2 1620	CTTD2 1820	CTTD2 2020	CTTD2 2220
82 3/16 [2087]	81 7/8 [2080]	81 5/16 [2065]	65 7/16 [1662]	CTTD2 1521	CTTD2 1621	CTTD2 1821	CTTD2 2021	CTTD2 2221
86 7/8 [2206]	86 9/16 [2199]	86 [2184]	70 1/8 [1781]	CTTD2 1570	CTTD2 1670	CTTD2 1870	CTTD2 2070	CTTD2 2270
95 3/8 [2422]	95 1/16 [2415]	94 1/2 [2400]	78 5/8 [1997]	CTTD2 1524	CTTD2 1624	CTTD2 1824	CTTD2 2024	CTTD2 2224
98 1/4 [2496]	98 [2489]	97 3/8 [2474]	81 3/4 [2077]	CTTD2 1580	CTTD2 1680	CTTD2 1880	CTTD2 2080	CTTD2 2280
99 15/16 [2538]	99 5/8 [2531]	99 1/16 [2516]	83 3/16 [2113]	CTTD2 1525	CTTD2 1625	CTTD2 1825		
107 3/16 [2722]	106 7/8 [2715]	106 5/16 [2700]	90 7/16 [2297]	CTTD2 1527	CTTD 21627	CTTD2 1827		

Height

Product Code

Glass Size = Visible Glass + 1 3/16" (30 mm)

**Standard sizes Shown. Additional sizes may be available. Custom sizes can be ordered.**

**Note:** • SDL/Grille patterns are dependent on SDL/Grille type and window size. Please verify SDL/Grille patterns before confirming your order.  
• 96 7/16" (2450 mm) radius

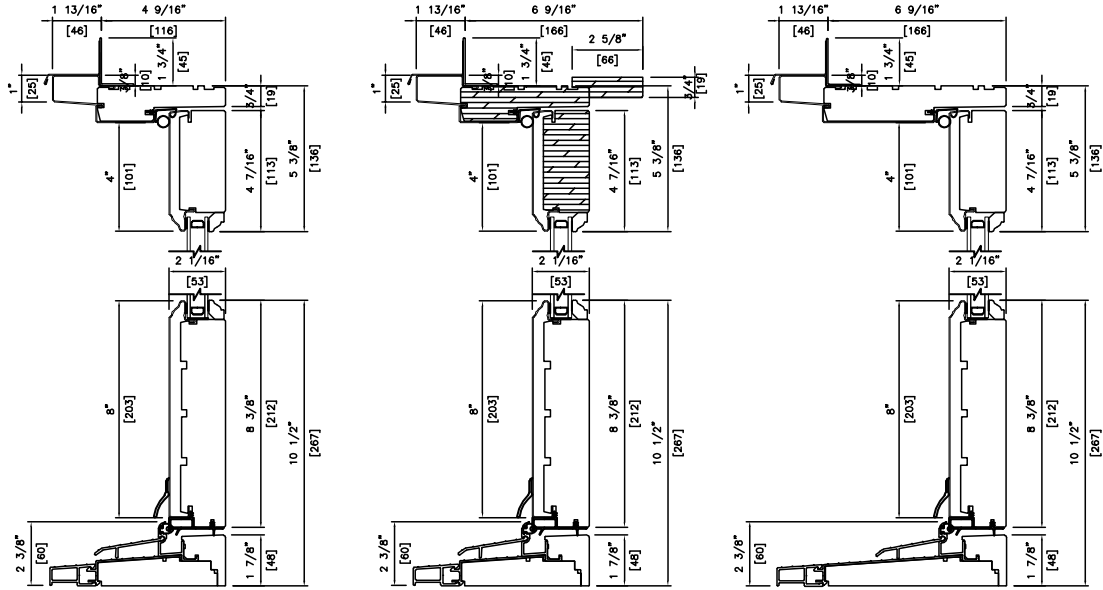
1 = Inswing doors with jamb extensions (other than 4 9/16" [116 mm] & 6 9/16" [166 mm] full jamb).  
2 = Outswing doors (all) and inswing doors without jamb extensions (4 9/16" [116 mm] & 6 9/16" [166 mm] full jamb).

Cyprium Collection -  
Doors - **Terrace Door**

Drawings

**Inswing**

**Head & Sill  
Detail**

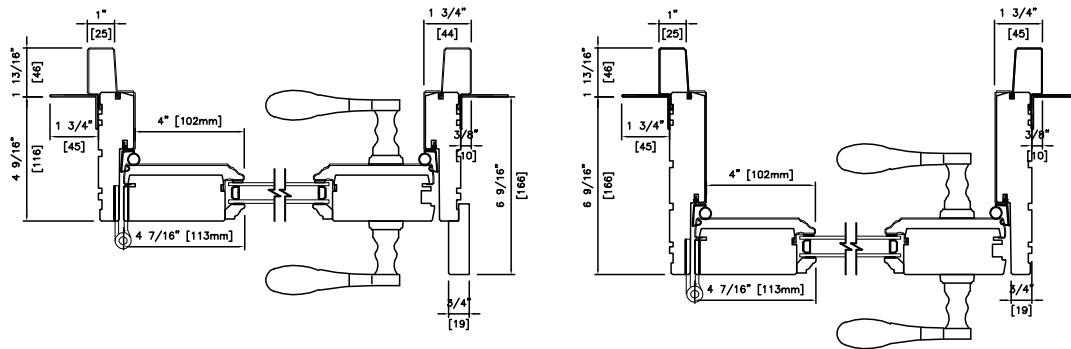


**CYPRIUM DOUBLE**  
4 9/16" (116mm)

**CYPRIUM DOUBLE**  
6 9/16" (166mm)

**CYPRIUM DOUBLE**  
6 9/16" (166mm) FULL JAMB

**Plan View**



**CYPRIUM DOUBLE**  
**ONE PANEL**  
4 9/16" (116mm) / 6 9/16" (166mm)

**CYPRIUM DOUBLE**  
**ONE PANEL**  
6 9/16" (166mm)



**Note:**

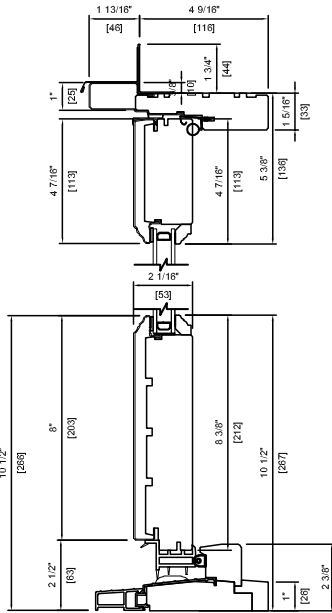
- Other jamb widths available.
- All dimensions to have +/- 1/16" (2mm) tolerance.

Cyprum Collection -  
Doors - **Terrace Door**

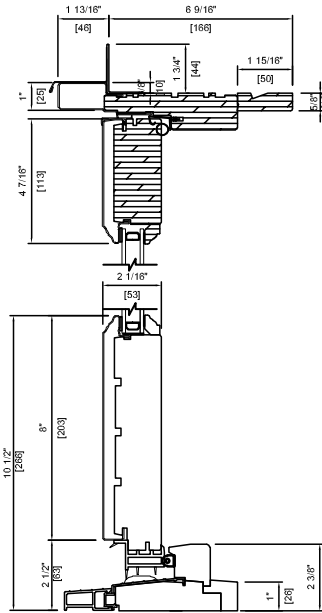
Drawings

**Outswing**

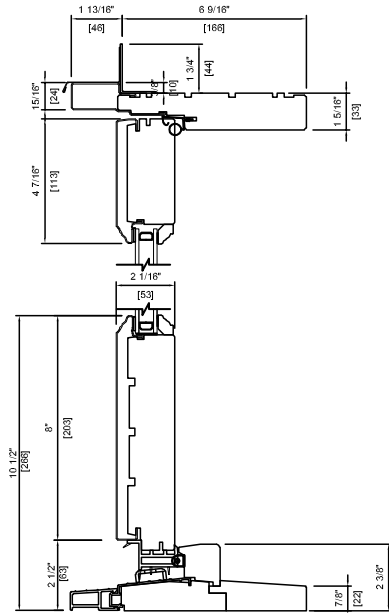
**Head & Sill  
Detail**



**CYPRUM DOUBLE**  
4 9/16" (116mm)

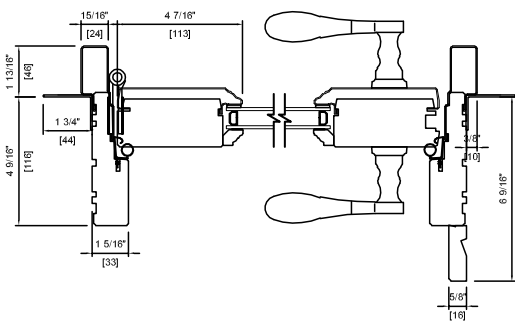


**CYPRUM DOUBLE**  
6 9/16" (166mm)

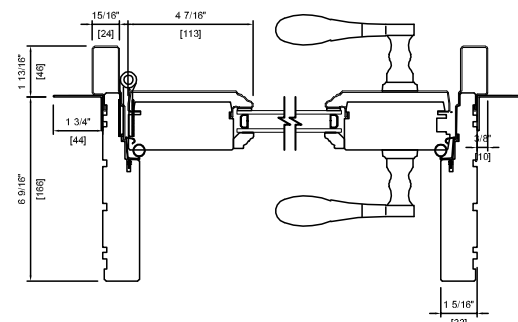


**CYPRUM DOUBLE**  
6 9/16" (166mm) FULL JAMB

**Plan View**



**CYPRUM DOUBLE**  
**ONE PANEL**  
4 9/16" (116mm) / 6 9/16" (166mm)



**CYPRUM DOUBLE**  
**ONE PANEL**  
6 9/16" (166mm)



**Note:**

- Other jamb widths available.
- All dimensions to have +/- 1/16" (2mm) tolerance.

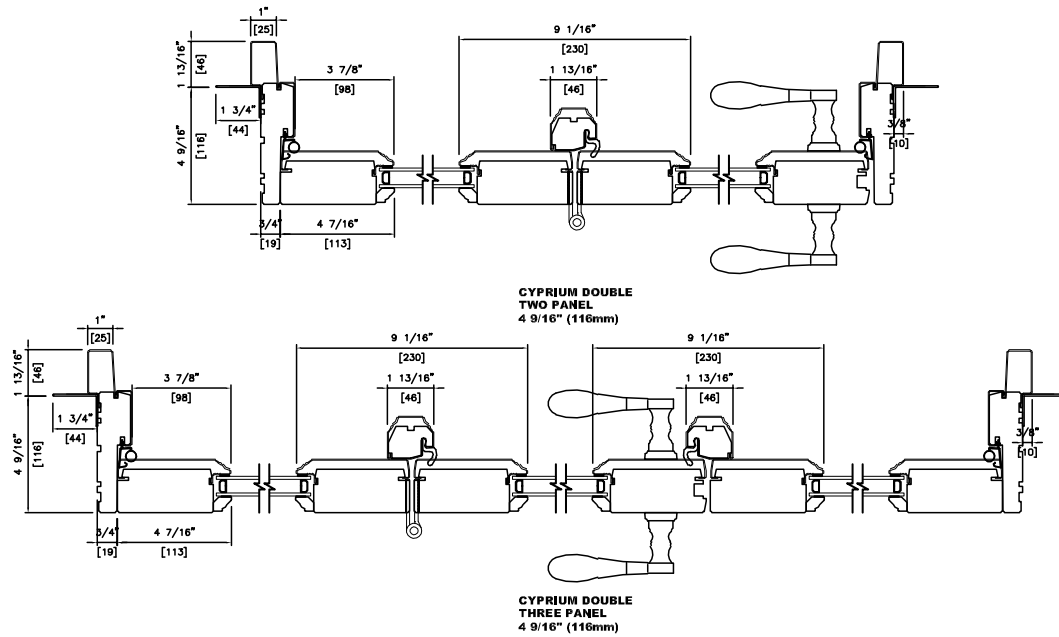


Cyprium Collection -  
Doors - **Terrace Door**

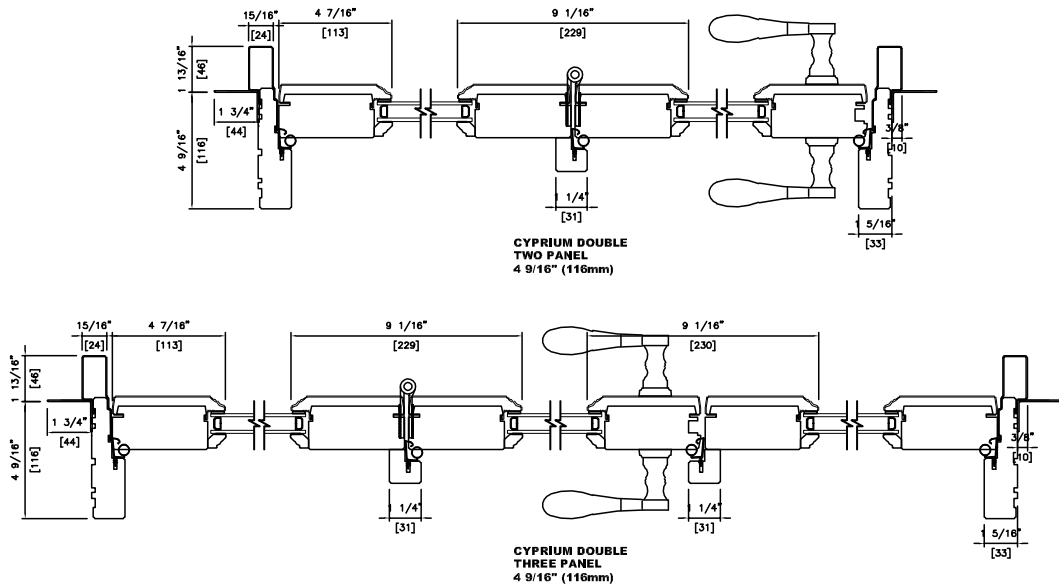
Drawings

**Inswing & Outswing**

Plan View



Plan View



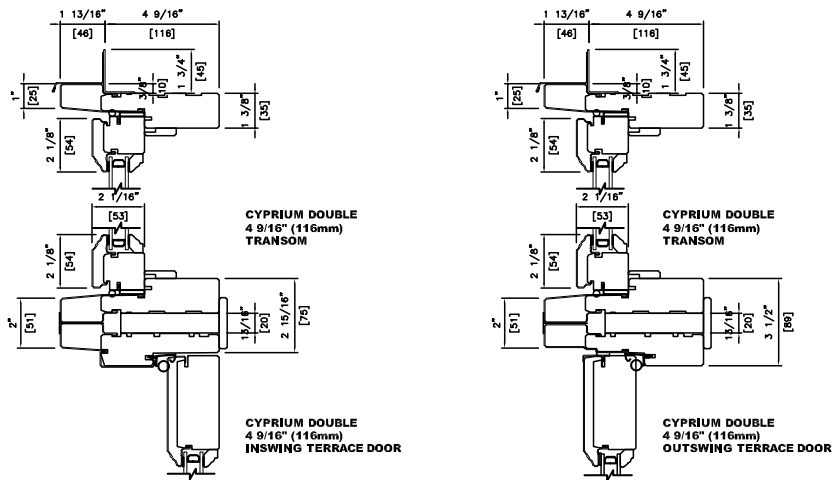
Note: • Other jamb widths available.  
• All dimensions to have +/- 1/16" (2mm) tolerance.

Cyprum Collection -  
Doors - **Terrace Door**

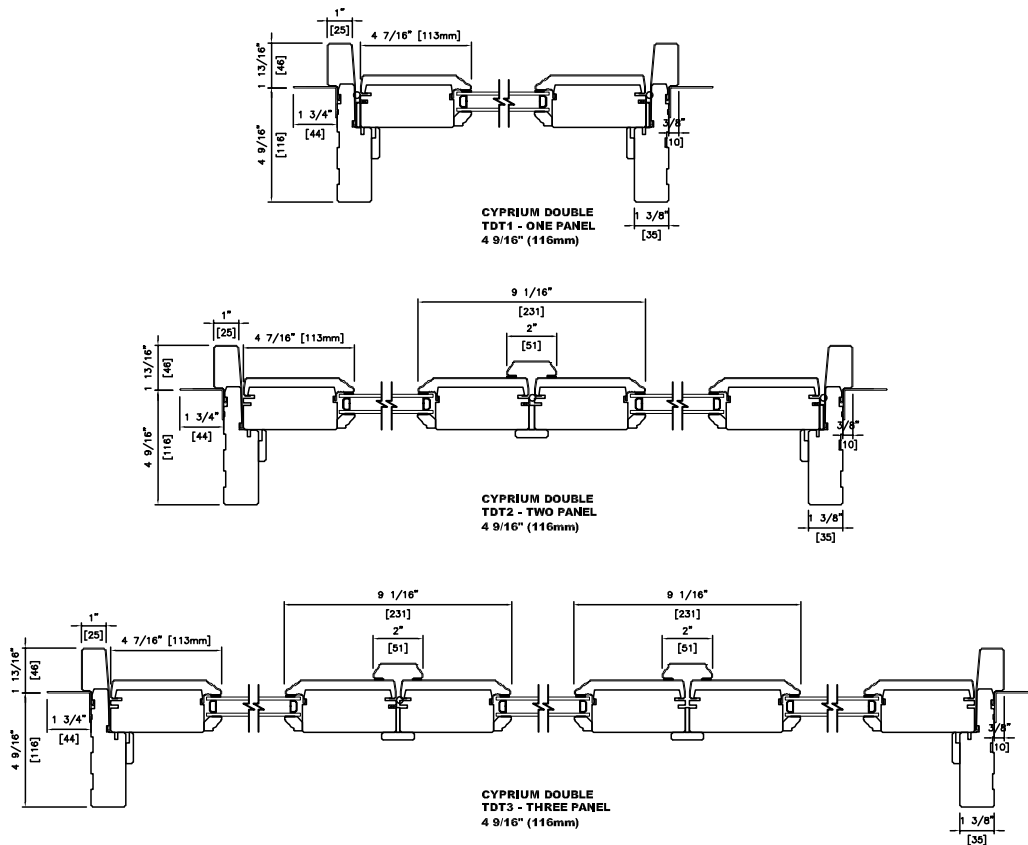
Drawings

**Transom**

**Head & Sill  
Detail**



**Plan View**



Note: • Other jamb widths available.  
• All dimensions to have +/- 1/16" (2mm) tolerance.

Cyprium Collection -  
Doors - **French Terrace Door and Transom**

Size Charts

**FDT2 (2 Wide)**

				Width						
Rough Opening				Inswing w/ Jamb Ext. <sup>1</sup>	47 7/8 [1216]	61 9/16 [1564]	68 1/8 [1730]	73 3/8 [1864]	81 1/4 [2064]	88 7/16 [2246]
				R.O. <sup>2</sup>	47 1/4 [1200]	60 15/16 [1548]	67 1/2 [1714]	72 3/4 [1848]	80 5/8 [2048]	87 13/16 [2230]
				Frame	46 1/2 [1181]	60 3/16 [1529]	66 3/4 [1695]	72 [1829]	79 7/8 [2029]	87 1/16 [2211]
Inswing w/ Jamb Ext. <sup>1</sup>	R.O. <sup>2</sup>		Visible Glass	12 13/16 [326]	19 11/16 [500]	22 15/16 [583]	25 9/16 [650]	29 1/2 [750]	33 1/8 [841]	
				Transom						
16 5/8 [422]	16 5/16 [415]	15 3/4 [400]	9 1/2 [241]	FDT2* 1204	FDT2* 1504	FDT2* 1604	FDT2* 1804	FDT2* 2004	FDT2* 2204	
24 1/2 [622]	24 3/16 [615]	23 5/8 [600]	17 3/8 [441]	FDT2* 1206	FDT2* 1506	FDT2* 1606	FDT2* 1806	FDT2* 2006	FDT2* 2206	
				Doors						
80 3/8 [2042]	80 1/8 [2035]	79 1/2 [2020]	63 11/16 [1617]	FD2 1220	FD2 1520	FD2 1620	FD2 1820	FD2 2020	FD2 2220	
82 3/16 [2087]	81 7/8 [2080]	81 5/16 [2065]	65 7/16 [1662]	FD2 1221	FD2 1521	FD2 1621	FD2 1821	FD2 2021	FD2 2221	
86 7/8 [2206]	86 9/16 [2199]	86 [2184]	70 1/8 [1781]	FD2 1270	FD2 1570	FD2 1670	FD2 1870	FD2 2070	FD2 2270	
95 3/8 [2422]	95 1/16 [2415]	94 1/2 [2400]	78 5/8 [1997]	FD2 1224	FD2 1524	FD2 1624	FD2 1824	FD2 2024	FD2 2224	
98 1/4 [2496]	98 [2489]	97 3/8 [2474]	81 3/4 [2077]	FD2 1280	FD2 1580	FD2 1680	FD2 1880	FD2 2080	FD2 2280	
99 15/16 [2538]	99 5/8 [2531]	99 1/16 [2516]	83 3/16 [2113]	FD2 1225	FD2 1525	FD2 1625	FD2 1825			
107 3/16 [2722]	106 7/8 [2715]	106 5/16 [2700]	90 7/16 [2297]	FD2 1227	FD2 1527	FD2 1627	FD2 1827			

Height

Product Code

Glass Size = Visible Glass + 1 3/16" (30 mm)

**Standard sizes Shown. Additional sizes may be available. Custom sizes can be ordered.**

**Note:** • SDL/Grille patterns are dependent on SDL/Grille type and window size. Please verify SDL/Grille patterns before confirming your order.

\* Transom units.

1 = Inswing doors with jamb extensions (other than 4 9/16" [116 mm] & 6 9/16" [166 mm] full jamb).

2 = Outswing doors (all) and inswing doors without jamb extensions (4 9/16" [116 mm] & 6 9/16" [166 mm] full jamb).

Cyprum Collection -  
Doors - **French Terrace Door and Transom**

Size Charts

**FDT4 (4 Wide)**

				Width					
Rough Opening		Inswing w/ Jamb Ext. <sup>1</sup>		91 5/16 [2320]	118 3/4 [3016]	131 13/16 [3348]	142 3/8 [3616]	158 1/8 [4016]	172 7/16 [4380]
		R.O. <sup>2</sup>		90 11/16 [2304]	118 1/8 [3000]	131 3/16 [3332]	141 3/4 [3600]	157 1/2 [4000]	171 13/16 [4364]
		Frame		89 15/16 [2285]	117 3/8 [2981]	130 7/16 [3313]	141 [3581]	156 3/4 [3981]	171 1/16 [4345]
Inswing w/ Jamb Ext. <sup>1</sup>	R.O. <sup>2</sup>		Visible Glass	12 13/16 [326]	19 11/16 [500]	22 15/16 [583]	25 9/16 [650]	29 1/2 [750]	33 1/8 [841]
				Transom					
16 5/8 [422]	16 5/16 [415]	15 3/4 [400]	9 1/2 [241]	FDT4* 2304	FDT4* 3004	FDT4* 3304	FDT4* 3604	FDT4* 4004	FDT4* 4304
24 1/2 [622]	24 3/16 [615]	23 5/8 [600]	17 3/8 [441]	FDT4* 2306	FDT4* 3006	FDT4* 3306	FDT4* 3606	FDT4* 4006	FDT4* 4306
				Doors					
80 3/8 [2042]	80 1/8 [2035]	79 1/2 [2020]	63 11/16 [1617]	FD4 2320	FD4 3020	FD4 3320	FD4 3620	FD4 4020	FD4 4320
82 3/16 [2087]	81 7/8 [2080]	81 5/16 [2065]	65 7/16 [1662]	FD4 2321	FD4 3021	FD4 3321	FD4 3621	FD4 4021	FD4 4321
86 7/8 [2206]	86 9/16 [2199]	86 [2184]	70 1/8 [1781]	FD4 2370	FD4 3070	FD4 3370	FD4 3670	FD4 4070	FD4 4370
95 3/8 [2422]	95 1/16 [2415]	94 1/2 [2400]	78 5/8 [1997]	FD4 2324	FD4 3024	FD4 3324	FD4 3624	FD4 4024	FD4 4324
98 1/4 [2496]	98 [2489]	97 3/8 [2474]	81 3/4 [2077]	FD4 2380	FD4 3080	FD4 3380	FD4 3680	FD4 4080	FD4 4380
99 15/16 [2538]	99 5/8 [2531]	99 1/16 [2516]	83 3/16 [2113]	FD4 2325	FD4 3025	FD4 3325	FD4 3625		
107 3/16 [2722]	106 7/8 [2715]	106 5/16 [2700]	90 7/16 [2297]	FD4 2327	FD4 3027	FD4 3327	FD4 3627		
				Product Code					

Glass Size = Visible Glass + 1 3/16" (30 mm)

**Standard sizes Shown. Additional sizes may be available. Custom sizes can be ordered.**

**Note:** • SDL/Grille patterns are dependent on SDL/Grille type and window size. Please verify SDL/Grille patterns before confirming your order.

\* Transom units.

1 = Inswing doors with jamb extensions (other than 4 9/16" [116 mm] & 6 9/16" [166 mm] full jamb).

2 = Outswing doors (all) and inswing doors without jamb extensions (4 9/16" [116 mm] & 6 9/16" [166 mm] full jamb).

Cyprium Collection -  
Doors - **Camber Top French Terrace Door**

Size Charts

**CTFD2 (2 Wide)**

Rough Opening				Width						
				Inswing w/ Jamb Ext. <sup>1</sup>	47 7/8 [1216]	61 9/16 [1564]	68 1/8 [1730]	73 3/8 [1864]	81 1/4 [2064]	88 7/16 [2246]
				R.O. <sup>2</sup>	47 1/4 [1200]	60 15/16 [1548]	67 1/2 [1714]	72 3/4 [1848]	80 5/8 [2048]	87 13/16 [2230]
				Frame	46 1/2 [1181]	60 3/16 [1529]	66 3/4 [1695]	72 [1829]	79 7/8 [2029]	87 1/16 [2211]
Inswing w/ Jamb Ext. <sup>1</sup>	R.O. <sup>2</sup>		Visible Glass	12 13/16 [326]	19 11/16 [500]	22 15/16 [583]	25 9/16 [650]	29 1/2 [750]	33 1/8 [841]	
80 3/8 [2042]	80 1/8 [2035]	79 1/2 [2020]	63 5/8 [1616]	CTFD2 1220	CTFD2 1520	CTFD2 1620	CTFD2 1820	CTFD2 2020	CTFD2 2220	
82 3/16 [2087]	81 7/8 [2080]	81 5/16 [2065]	65 5/8 [1661]	CTFD2 1221	CTFD2 1521	CTFD2 1621	CTFD2 1821	CTFD2 2021	CTFD2 2221	
86 7/8 [2206]	86 9/16 [2199]	86 [2184]	70 1/16 [1780]	CTFD2 1270	CTFD2 1570	CTFD2 1670	CTFD2 1870	CTFD2 2070	CTFD2 2270	
95 3/8 [2422]	95 1/16 [2415]	94 1/2 [2400]	78 9/16 [1996]	CTFD2 1224	CTFD2 1524	CTFD2 1624	CTFD2 1824	CTFD2 2024	CTFD2 2224	
98 1/4 [2496]	98 [2489]	97 3/8 [2474]	81 3/4 [2077]	CTFD2 1280	CTFD2 1580	CTFD2 1680	CTFD2 1880	CTFD2 2080	CTFD2 2280	
99 15/16 [2538]	99 5/8 [2531]	99 1/16 [2516]	83 1/8 [2112]	CTFD2 1225	CTFD2 1525	CTFD2 1625	CTFD2 1825			
107 3/16 [2722]	106 7/8 [2715]	106 5/16 [2700]	90 3/8 [2296]	CTFD2 1227	CTFD2 1527	CTFD2 1627	CTFD2 1827			

Product Code

Glass Size = Visible Glass + 1 3/16" (30 mm)

Standard sizes shown. Additional sizes may be available. Custom sizes can be ordered.

Note: • SDL/Grille patterns are dependent on SDL/Grille type and window size. Please verify SDL/Grille patterns before confirming your order.  
• 59 1/16" (1500 mm) radius

1 = Inswing doors with jamb extensions (other than 4 9/16" [116 mm] & 6 9/16" [166 mm] full jamb).

2 = Outswing doors (all) and inswing doors without jamb extensions (4 9/16" [116 mm] & 6 9/16" [166 mm] full jamb).

Cyprium Collection -  
Doors - **Camber Top French Terrace Door**

Size Charts

**CTFD4 (4 Wide)**

Rough Opening				Width						
				Inswing w/ Jamb Ext. <sup>1</sup>	91 5/16 [2320]	118 3/4 [3016]	131 13/16 [3348]	142 3/8 [3616]	158 1/8 [4016]	172 7/16 [4380]
				R.O. <sup>2</sup>	90 11/16 [2304]	118 1/8 [3000]	131 3/16 [3332]	141 3/4 [3600]	157 1/2 [4000]	171 13/16 [4364]
				Frame	89 15/16 [2285]	117 3/8 [2981]	130 7/16 [3313]	141 [3581]	156 3/4 [3981]	171 1/16 [4345]
Inswing w/ Jamb Ext. <sup>1</sup>	R.O. <sup>2</sup>		Visible Glass	12 13/16 [326]	19 11/16 [500]	22 15/16 [583]	25 9/16 [650]	29 1/2 [750]	33 1/8 [841]	
80 3/8 [2042]	80 1/8 [2035]	79 1/2 [2020]	63 11/16 [1618]	CTFD4 2320	CTFD4 3020	CTFD4 3320	CTFD4 3620	CTFD4 4020	CTFD4 4320	
82 3/16 [2087]	81 7/8 [2080]	81 5/16 [2065]	65 7/16 [1663]	CTFD4 2321	CTFD4 3021	CTFD4 3321	CTFD4 3621	CTFD4 4021	CTFD4 4321	
86 7/8 [2206]	86 9/16 [2199]	86 [2184]	70 1/8 [1782]	CTFD4 2370	CTFD4 3070	CTFD4 3370	CTFD4 3670	CTFD4 4070	CTFD4 4370	
95 3/8 [2422]	95 1/16 [2415]	94 1/2 [2400]	78 11/16 [1998]	CTFD4 2324	CTFD4 3024	CTFD4 3324	CTFD4 3624	CTFD4 4024	CTFD4 4324	
98 1/4 [2496]	98 [2489]	97 3/8 [2474]	81 3/4 [2077]	CTFD4 2380	CTFD4 3080	CTFD4 3380	CTFD4 3680	CTFD4 4080	CTFD4 4380	
99 15/16 [2538]	99 5/8 [2531]	99 1/16 [2516]	83 1/4 [2114]	CTFD4 2325	CTFD4 3025	CTFD4 3325	CTFD4 3625			
107 3/16 [2722]	106 7/8 [2715]	106 5/16 [2700]	90 7/16 [2298]	CTFD4 2327	CTFD4 3027	CTFD4 3327	CTFD4 3627			

Product Code

Glass Size = Visible Glass + 1 3/16" (30 mm)

Standard sizes shown. Additional sizes may be available. Custom sizes can be ordered.

Note: • SDL/Grille patterns are dependent on SDL/Grille type and window size. Please verify SDL/Grille patterns before confirming your order.  
• 96 7/16" (2450 mm) radius

1 = Inswing doors with jamb extensions (other than 4 9/16" [116 mm] & 6 9/16" [166 mm] full jamb).

2 = Outswing doors (all) and inswing doors without jamb extensions (4 9/16" [116 mm] & 6 9/16" [166 mm] full jamb).

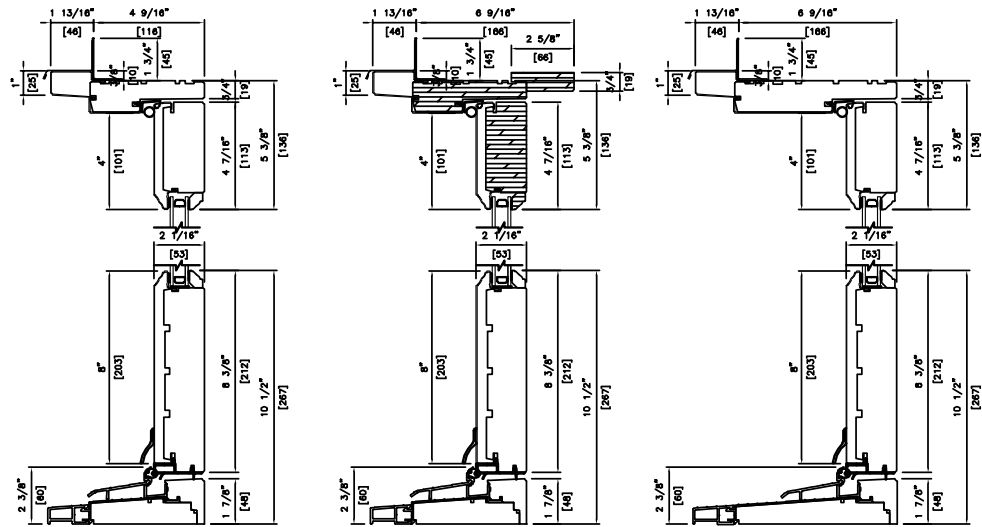


Cyprium Collection -  
Doors - **French Terrace Door**

Drawings

**Inswing**

**Head & Sill Detail**

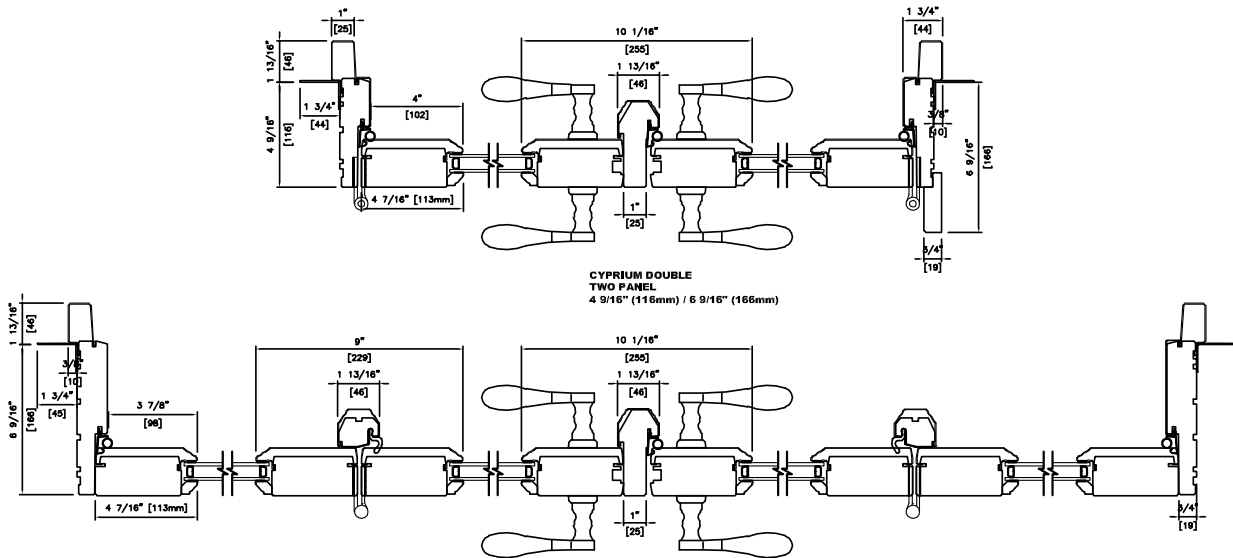


**CYPRIMUM DOUBLE**  
4 9/16" (116mm)

**CYPRIMUM DOUBLE**  
6 9/16" (166mm)

**CYPRIMUM DOUBLE**  
6 9/16" (166mm) FULL JAMB

**Plan View**



**CYPRIMUM DOUBLE**  
TWO PANEL  
4 9/16" (116mm) / 6 9/16" (166mm)

**CYPRIMUM DOUBLE**  
FOUR PANEL  
6 9/16" (166mm)

 RADIUS COMPONENT

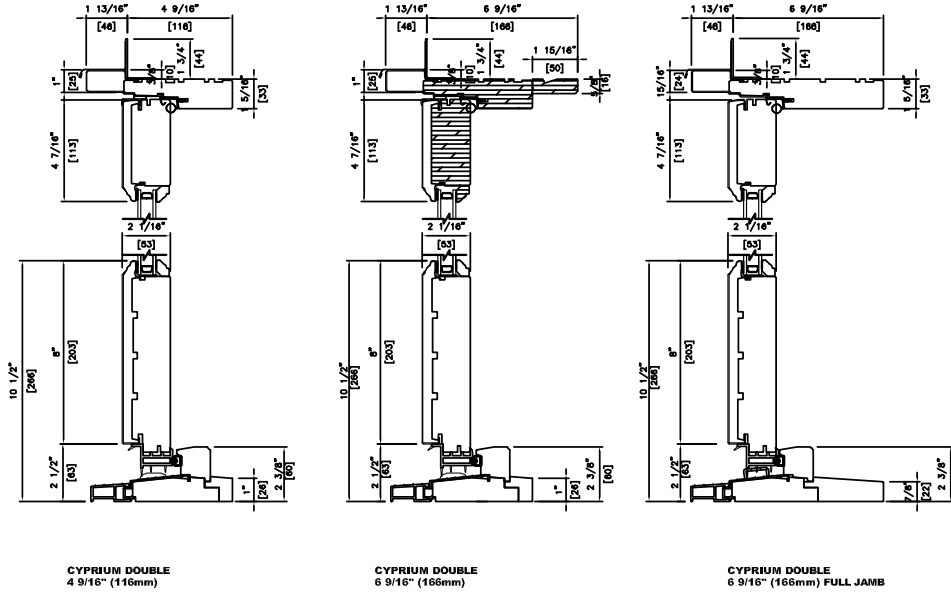
Note: • Other jamb widths available.  
• All dimensions to have +/- 1/16" (2mm) tolerance.

Cyprum Collection -  
Doors - **French Terrace Door**

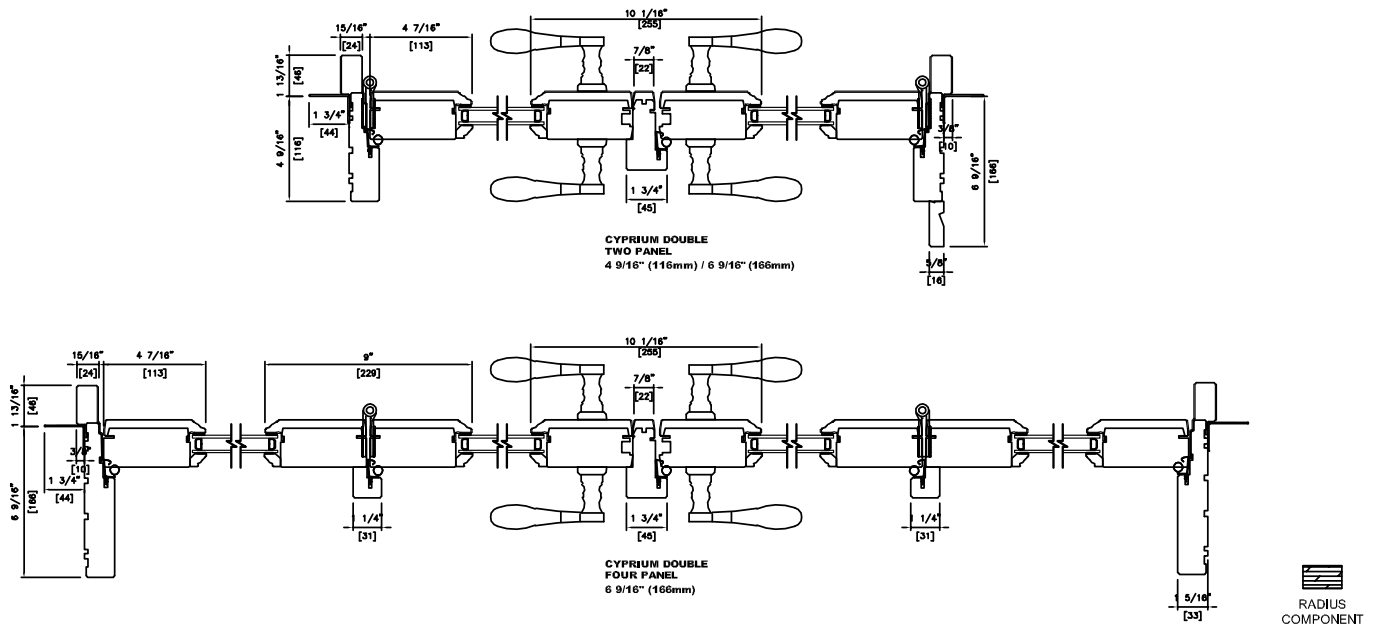
Drawings

**Outswing**

**Head & Sill  
Detail**



**Plan View**



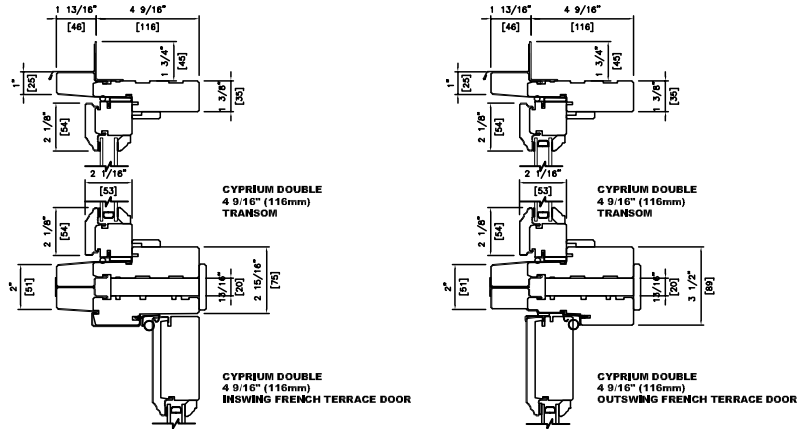
Note: • Other jamb widths available.  
• All dimensions to have +/- 1/16" (2mm) tolerance.

Cyprum Collection -  
Doors - **French Terrace Door**

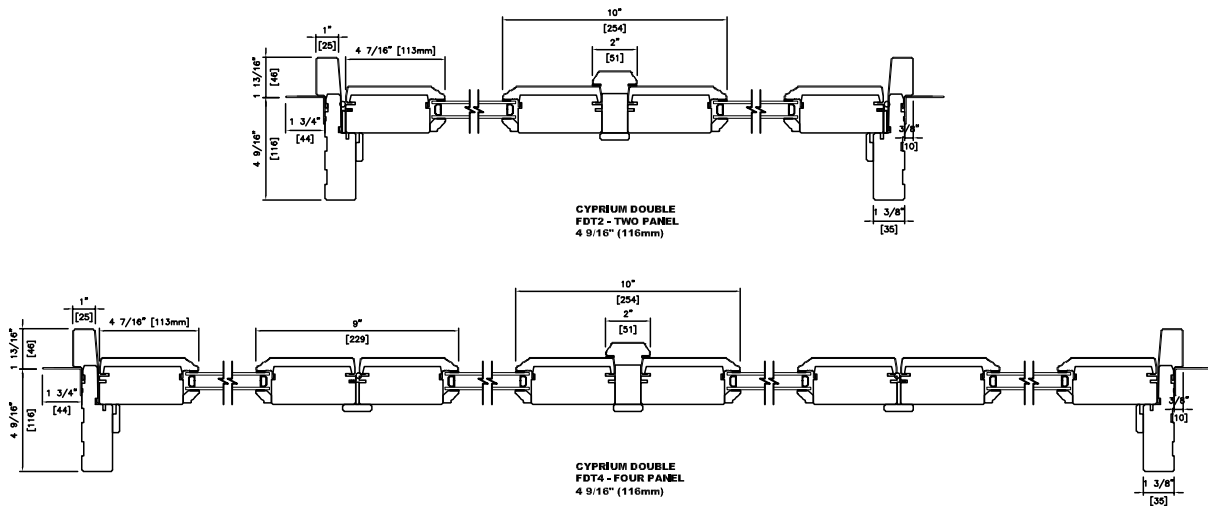
*Drawings*

**Transom**

**Head & Sill  
Detail**



**Plan View**



**Note:**

- Other jamb widths available.
- All dimensions to have +/- 1/16" (2mm) tolerance.



Cyprium Collection -  
Doors - **LiftSlide Door**

Size Charts

**LiftSlide Door**

				Rough Opening (3' Panels)	Head Width (3' Panels, No Screens)	Finish Pocket Width	Rough Opening (4' Panels)	Head Width (4' Panels, No Screens)	Finish Pocket Width
Panels	Configuration	Style	Frame Type						
2	OX or XO	Stacking	Jamb	73 [1854]	10 3/8 [264]	-	97 [2464]	10 3/8 [264]	-
3	OXX or XXO	Stacking	Jamb	106 [2692]	14 1/4 [362]	-	142 [3607]	14 1/4 [362]	-
4	OXXX or XXXO	Stacking	Jamb	139 [3531]	18 1/16 [459]	-	187 [4750]	18 1/16 [459]	-
5	OXXXX or XXXXO	Stacking	Jamb	172 [4369]	21 15/16 [557]	-	232 [5893]	21 15/16 [557]	-
6	OXXXXX or XXXXO	Stacking	Jamb	205 [5207]	25 3/4 [654]	-	277 [7036]	25 3/4 [654]	-
4	OX-XO	Bi-Parting	Jamb	142 3/16 [3612]	10 3/8 [264]	-	190 3/16 [4831]	10 3/8 [264]	-
6	OXX-XXO	Bi-Parting	Jamb	208 3/16 [5288]	14 1/4 [362]	-	280 3/16 [7117]	14 1/4 [362]	-
8	OXXX-XXXO	Bi-Parting	Jamb	274 3/16 [6964]	18 1/16 [459]	-	370 3/16 [9403]	18 1/16 [459]	-
10	OXXXX-XXXXO	Bi-Parting	Jamb	340 3/16 [8641]	21 15/16 [557]	-	460 3/16 [11689]	21 15/16 [557]	-
12	OXXXXX-XXXXO	Bi-Parting	Jamb	406 3/16 [10317]	25 3/4 [654]	-	550 3/16 [13975]	25 3/4 [654]	-
1	PX or XP	Stacking	Single pocket	39 11/16 [1008]	11 1/16 [280]	7 1/16 [179]	51 11/16 [1313]	11 1/16 [280]	7 1/16 [179]
2	PXX or XXP	Stacking	Single pocket	72 11/16 [1846]	12 5/8 [321]	9 5/8 [245]	96 11/16 [2456]	12 5/8 [321]	9 5/8 [245]
3	PXXX or XXXP	Stacking	Single pocket	105 11/16 [2684]	16 1/2 [419]	13 7/16 [342]	141 11/16 [3599]	16 1/2 [419]	13 7/16 [342]
4	PXXXX or XXXXP	Stacking	Single pocket	138 11/16 [3523]	20 5/16 [516]	17 5/16 [440]	186 11/16 [4742]	20 5/16 [516]	17 5/16 [440]
5	PXXXXX or XXXXXP	Stacking	Single pocket	171 11/16 [4361]	24 3/16 [614]	21 13/16 [538]	231 11/16 [5885]	24 3/16 [614]	21 13/16 [538]
6	PXXXXXX or XXXXXXP	Stacking	Single pocket	204 11/16 [5199]	28 1/16 [712]	24 7/8 [631]	276 11/16 [7028]	28 1/16 [712]	24 7/8 [631]
2	PX-XP	Bi-Parting	Dual pocket	75 1/2 [1918]	-	7 1/16 [179]	99 1/2 [2527]	-	7 1/16 [179]
4	PXX-XXP	Bi-Parting	Dual pocket	141 1/2 [3594]	-	9 5/8 [245]	189 1/2 [4813]	-	9 5/8 [245]
4	PXXX-XXXP	Bi-Parting	Dual pocket	207 1/2 [5271]	-	13 7/16 [342]	279 1/2 [7099]	-	13 7/16 [342]
6	PXXXX-XXXXP	Bi-Parting	Dual pocket	273 1/2 [6947]	-	17 5/16 [440]	369 1/2 [9385]	-	17 5/16 [440]
10	PXXXXX-XXXXXP	Bi-Parting	Dual pocket	339 1/2 [8623]	-	21 13/16 [538]	459 1/2 [11671]	-	21 13/16 [538]
12	PXXXXXX-XXXXXP	Bi-Parting	Dual pocket	405 1/2 [10300]	-	24 7/8 [631]	549 1/2 [13957]	-	24 7/8 [631]

Additional configurations and sizes available. Consult your Authorized Loewen Dealer for details.

Panel Height	Rough Opening Height (1" Flush Track)	Rough Opening Height (1 1/2" Flush Track)	Rough Opening Height (Raised Threshold)
84 [2134]	87 15/16 [2234]	88 7/16 [2246]	88 7/16 [2246]
96 [2438]	99 15/16 [2538]	100 7/16 [2551]	100 7/16 [2551]
108 [2743]	111 15/16 [2843]	112 7/16 [2856]	112 7/16 [2856]
120 [3048]	123 15/16 [3148]	124 7/16 [3161]	124 7/16 [3161]
144 [3658]	147 15/16 [3758]	148 7/16 [3770]	148 7/16 [3770]

Additional heights available. Consult your Authorized Loewen Dealer for details.

Note: • O = Fixed  
• X = Operating  
• P = Pocketing

• The preparation of the rough opening for large openings such as those required by, but not limited to, LiftSlide and Bifold doors have unique requirements. Structural headers that allow for deflection no greater than 1/8" along the unsupported length once the header is fully loaded are required. Special care needs to be taken when installing any unit including transoms above such large opening units.

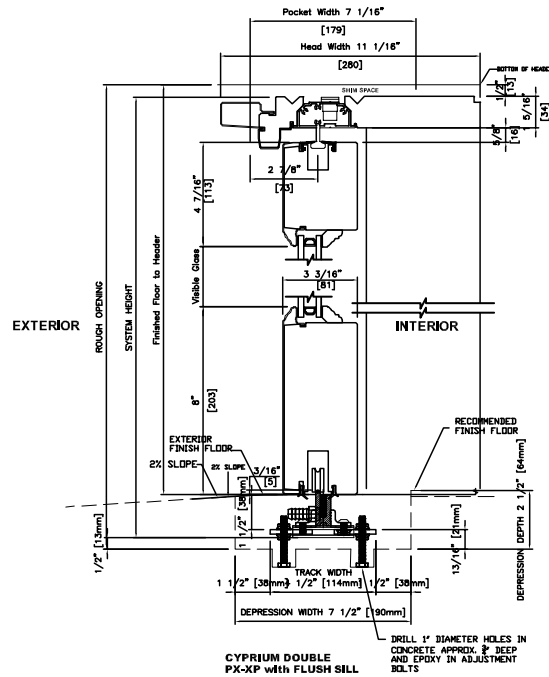
Loewen is not responsible for site measurements or the determination of structural and architectural requirements for the installation of large opening products such as but not limited to, Liftslide and Bifold doors. Site specifications are the responsibility of building professionals or engineers to determine.

Cyprum Collection -  
Doors - LiftSlide Door

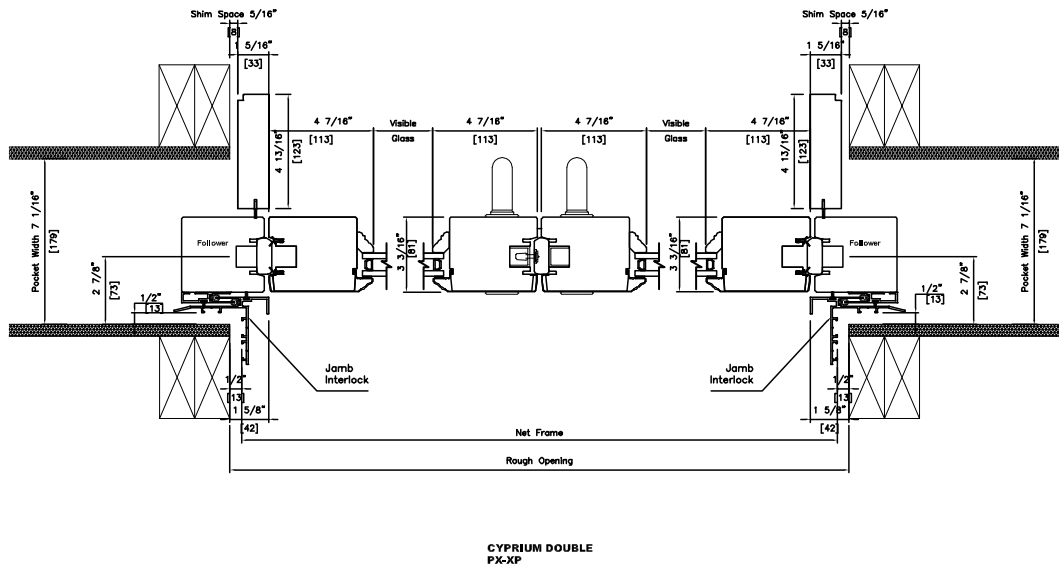
Drawings

LiftSlide Door

Head & Sill  
Detail



Plan View



- Note:
- Other jamb widths available.
  - All dimensions to have +/- 1/16" (2 mm) tolerance.
  - O = Fixed
  - X = Operating
  - P = Pocketing

- The preparation of the rough opening for large openings such as those required by, but not limited to, LiftSlide and Bifold doors have unique requirements. Structural headers that allow for deflection no greater than 1/8" along the unsupported length once the header is fully loaded are required. Special care needs to be taken when installing any unit including transoms above such large opening units.

Loewen is not responsible for site measurements or the determination of structural and architectural requirements for the installation of large opening products such as but not limited to, LiftSlide and Bifold doors. Site specifications are the responsibility of building professionals or engineers to determine.

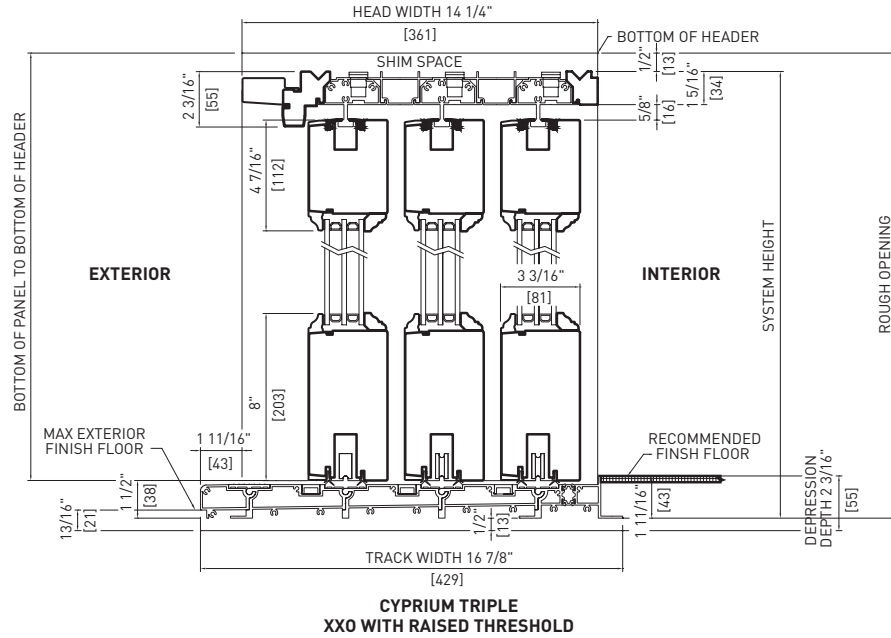


Cyprium Collection -  
Doors - **LiftSlide Door**

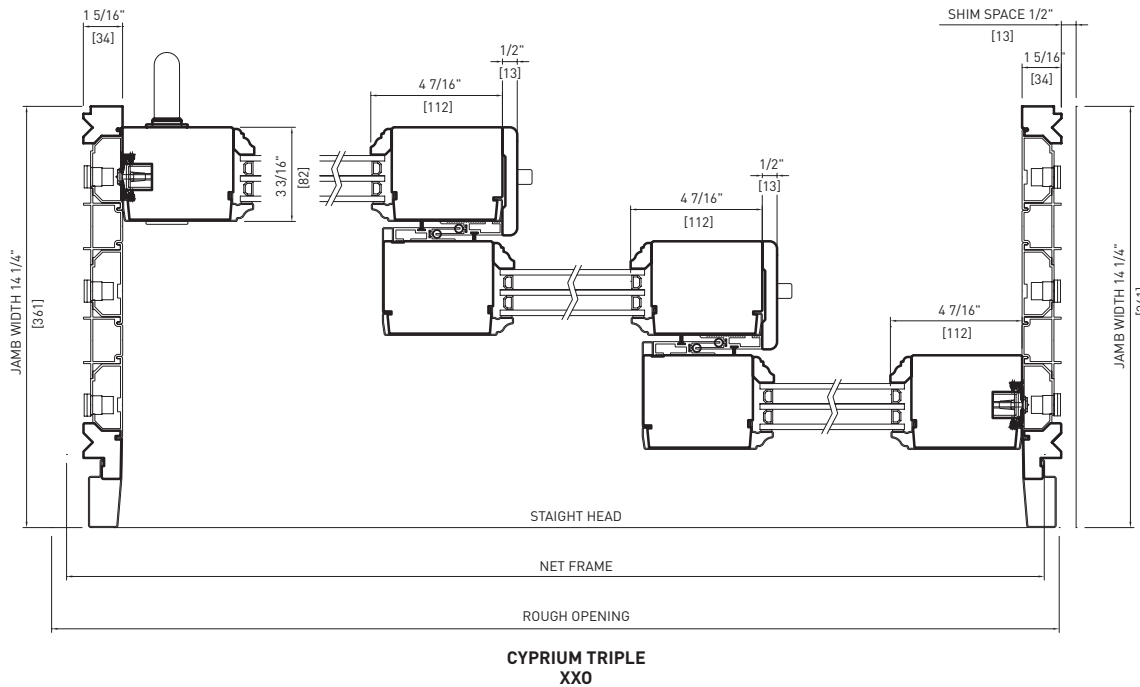
Drawings

**LiftSlide Door (cont'd)**

**Head & Sill  
Detail**



**Plan View**



- Note:
- Other jamb widths available.
  - All dimensions to have +/- 1/16" (2 mm) tolerance.
  - O = Fixed
  - X = Operating
  - P = Pocketing
- The preparation of the rough opening for large openings such as those required by, but not limited to, LiftSlide and Bifold doors have unique requirements. Structural headers that allow for deflection no greater than 1/8" along the unsupported length once the header is fully loaded are required. Special care needs to be taken when installing any unit including transoms above such large opening units.
- Loewen is not responsible for site measurements or the determination of structural and architectural requirements for the installation of large opening products such as but not limited to, Liftslide and Bifold doors. Site specifications are the responsibility of building professionals or engineers to determine.







