



CYPRUM COLLECTION TECHNICAL GUIDE

CYPRIMUM COLLECTION

Loewen's Cyprimum product combines modern technologies with old world appearance.

The Loewen Cyprimum Collection features copper and bronze clad windows and doors unique in design and construction. Besides being clad in copper and bronze, the actual design and construction of these windows and doors is robust and artisanal. All seams are hand-soldered for a distinctive look and architectural authenticity. These hand-wrought living surfaces develop distinctive patinas that adopt and define the individual aesthetic character of the homes to which they belong.

FEATURES

Custom artisan-applied patina for accelerated aging

Common frame cladding and recessed mullions are architecturally correct and authentic

Thick copper and bronze cladding are rarely both offered from the same manufacturer

Authentic exposed solder joinery for water performance and structural integrity



Cyprimum Window Combination Unit

Bronze Palette



Bronze Natura



Bronze Umbra



Bronze Verdigris

Copper Palette



Copper Natura



Copper Umbra



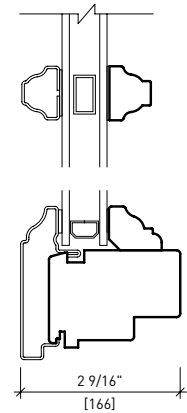
Copper Verdigris

Deep Interior & Exterior Profiles

Cyprimum Collection profiles — and their matching interior wood muntins and glass stops feature a deep relief profile. Nominal .040" Copper and Bronze cladding is used to craft a rich, architecturally balanced appearance.

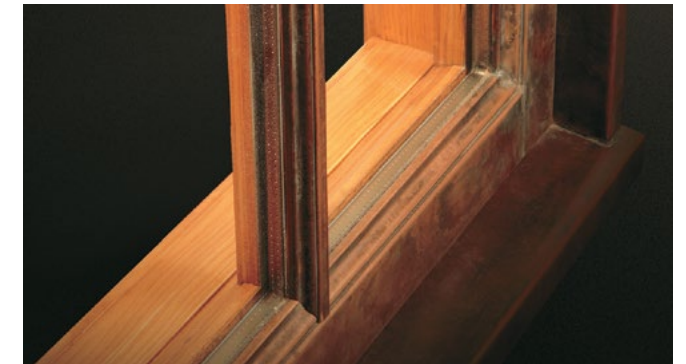
Cyprimum SDL are also available in 7/8" (22 mm) as shown, 1 1/4" (32 mm) or 2" (51 mm).

Cyprimum



Triple Sash

Cyprimum windows are built with a triple laminated sash that accommodates deeper cladding and glazing stop profiles.



Profile Depth

Loewen's ensured fit and finish, superior design and guarantee of fine material make Cyprimum a lifetime design investment.

Cyprimum Profiles

7/8" [22]

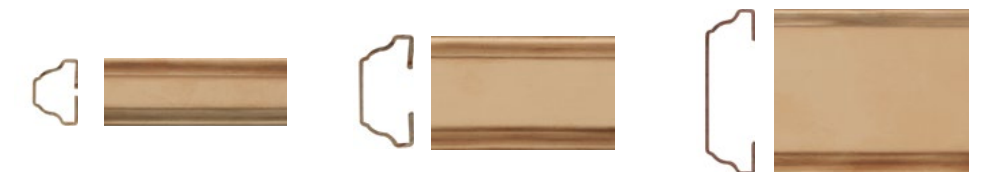
1 1/4" [32]

2" [51]

Wood (Interior)



Metal Clad (Exterior)





Bronze Natura

Soldered Joints

Lead-free hand soldered joints render an authentic appearance that is both attractive and functional. Soldered joints create a cohesive, watertight body for frame and sash members resulting in a uniform reaction to temperature fluctuation.



Copper Verdigris

Recessed Mullion

Recessed from the face of the sill and frame, this classical mullion detail adds visual harmony. Cyprium's deep sills are well suited to masonry wall construction.



Bronze Umbra

Capped Sill End

Hand-fitted sill caps are soldered in place for structural integrity and a finished appearance.



Bronze Verdigris

Picture/Direct Set Profiles

Picture/Direct Set (fixed, non-sashed units) offer an even deeper offset from the face of sill, head and frame members to the vertical plane of the glass.



Copper Verdigris cladding on a Loewen crank casement window

Window Hardware Finishes

Casement & Awning Hardware



Contemporary Casement and Awning Handle and Cover (Faux Bronze)



Provence Casement And Awning Handle And Cover (Oil Rubbed Bronze)



Tango Casement And Awning Handle And Cover (Oil Rubbed Bronze)

Solid Brass Hardware



Meran Handle (Oil Rubbed Bronze)



Dallas Handle (Dark Bronze Metallic)



Verona Handle (Oil Rubbed Bronze)



Rodos Handle (Oil Rubbed Bronze)

Solid Bronze Door Hardware



Churchill Handle (Rustic Bronze)



Shropshire Handle (Rustic Bronze)



Cyprimum Collection Doors

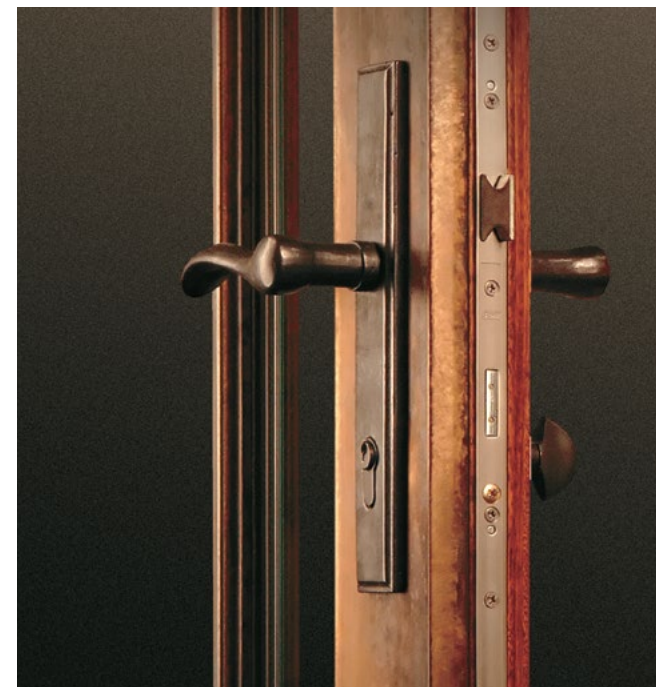
Loewen's full clad door panels combine rugged performance with architectural elegance.

Equipped with standard multi-point hardware – with stainless steel exposed components – Cyprimum door and entryway systems are secure and reliable.

Bronze Umbra patina Terrace door featuring 7/8" Simulated Divided Lites (SDL).



Cyprimum Terrace and French Terrace doors are available with flat or raised exterior panels and mid-rails.



Robust feel and superior security.



Raised exterior panel.

Cyprimum Collection -
Windows - **Casement**

Size Charts

CA1

Width

Height

| Rough Opening | | | 16 1/2 [419] | 20 7/16 [519] | 24 3/8 [619] | 28 5/16 [719] | 30 1/4 [769] | 32 1/4 [819] | 36 3/16 [919] |
|--------------------|--------------------|--------------------|-----------------|-------------------|-----------------|------------------|-----------------|-----------------|------------------|
| | Frame | | 15 3/4 [400] | 19 11/16 [500] | 23 5/8 [600] | 27 9/16 [700] | 29 1/2 [750] | 31 1/2 [800] | 35 7/16 [900] |
| | Visible Glass | | 9 1/2 [241] | 13 7/16 [341] | 17 3/8 [441] | 21 5/16 [541] | 23 1/4 [591] | 25 1/4 [641] | 29 3/16 [741] |
| 24 3/8 [619] | 23 5/8 [600] | 17 3/16 [436] | CA1 0406 | CA1 0506 | CA1 0606 | CA1 0706 | CA1 7506 | | |
| 28 5/16 [719] | 27 9/16 [700] | 21 1/8 [536] | CA1 0407 | CA1 0507 | CA1 0607 | CA1 0707 | CA1 7507 | CA1 0807 | |
| 30 1/4 [769] | 29 1/2 [750] | 23 1/16 [586] | CA1 0475 | CA1 0575 | CA1 0675 | CA1 0775 | CA1 7575 | CA1 0875 | |
| 32 1/4 [819] | 31 1/2 [800] | 25 1/16 [636] | CA1 0408 | CA1 0508 | CA1 0608 | CA1 0708 | CA1 7508 | CA1 0808 | CA1 0908 |
| 36 3/16 [919] | 35 7/16 [900] | 29 [736] | CA1 0409 | CA1 0509 | CA1 0609 | CA1 0709 | CA1 7509 | CA1 0809 | CA1 0909 |
| 40 1/8 [1019] | 39 3/8 [1000] | 32 15/16 [836] | CA1 0410 | CA1 0510 | CA1 0610 | CA1 0710 | CA1 7510 | CA1 0810 | CA1 0910 |
| 42 [1067] | 41 1/4 [1048] | 34 13/16 [884] | CA1 0411 | CA1 0511 | CA1 0611 | CA1 0711 | CA1 7511 | CA1 0811 | CA1 0911 |
| 48 [1219] | 47 1/4 [1200] | 40 13/16 [1036] | CA1 0412 | CA1 0512 | CA1 0612 | CA1 0712 | CA1 7512 | CA1 0812 | CA1 0912 |
| 55 7/8 [1419] | 55 1/8 [1400] | 48 11/16 [1236] | CA1 0414 | CA1 0514 | CA1 0614 | CA1 0714 | CA1 7514 | CA1 0814 | CA1 0914 |
| 59 13/16 [1519] | 59 1/16 [1500] | 52 5/8 [1336] | CA1 0415 | CA1 0515 | CA1 0615 | CA1 0715 | CA1 7515 | CA1 0815 | CA1 0915 |
| 63 3/4 [1619] | 63 [1600] | 56 9/16 [1436] | CA1 0416 | CA1 0516 | CA1 0616 | CA1 0716 | CA1 7516 | CA1 0816 | CA1 0916 |
| 71 5/8 [1819] | 70 7/8 [1800] | 64 7/16 [1636] | CA1 0418 | CA1 0518 | CA1 0618 | CA1 0718 | CA1 7518 | CA1 0818 | CA1 0918 |
| 83 7/16 [2119] | 82 11/16 [2100] | 76 1/4 [1936] | CA1 0421 | CA1 0521 | CA1 0621 | CA1 0721 | CA1 7521 | CA1 0821 | CA1 0921 |

Product Code

Glass Size = Visible Glass + 1 3/16" (30 mm)

Standard sizes shown. Additional sizes may be available. Custom sizes can be ordered.

- Note:
- SDL/Grille patterns are dependent on SDL/Grille type and window size. Please verify SDL/Grille patterns before confirming your order.
 - Available with Push Out hardware.
 - For Masonry opening information see page P19.
 - Sizes are shown as double glazing, not all sizes may be available in triple glazing.
 - Only available with Rotogear hardware

- Egress calculations are based on the unit being opened at 70° for washability hinge, 80° for egress hinge, and having minimum clear openings of:
 - ★ Meets US Egress: 20" in width, 24" in height, with a total egress area of 5.7 Sq Ft
 - ◆ Meets Canadian Egress: 15" in width, 15" in height, with a total egress area of 3.8 Sq Ft
- Please check your local building codes for any variation in Egress Standards from those stated above. For egress information, contact your Authorized Loewen Dealer.

Cyprimum Collection -
Windows - **Casement**

Size Charts

CA2 (2 Wide)

Width

Height

| Rough Opening | | | 32 1/4 [819] | 40 1/8 [1019] | 48 [1219] | 55 7/8 [1419] | 59 13/16 [1519] | 63 3/4 [1619] | 71 5/8 [1819] |
|--------------------|--------------------|--------------------|-----------------|------------------|------------------|------------------|--------------------|------------------|------------------|
| | Frame | | 31 1/2 [800] | 39 3/8 [1000] | 47 1/4 [1200] | 55 1/8 [1400] | 59 1/16 [1500] | 63 [1600] | 70 7/8 [1800] |
| | Visible Glass | | 9 1/2 [241] | 13 7/16 [341] | 17 3/8 [441] | 21 5/16 [541] | 23 1/4 [591] | 25 1/4 [641] | 29 3/16 [741] |
| 24 3/8 [619] | 23 5/8 [600] | 17 3/16 [436] | CA2 0806 | CA2 1006 | CA2 1206 | CA2 1406 | CA2 1506 | | |
| 28 5/16 [719] | 27 9/16 [700] | 21 1/8 [536] | CA2 0807 | CA2 1007 | CA2 1207 | CA2 1407 | CA2 1507 | CA2 1607 | |
| 30 1/4 [769] | 29 1/2 [750] | 23 1/16 [586] | CA2 0875 | CA2 1075 | CA2 1275 | CA2 1475 | CA2 1575 | CA2 1675 | |
| 32 1/4 [819] | 31 1/2 [800] | 25 1/16 [636] | CA2 0808 | CA2 1008 | CA2 1208 | CA2 1408 | CA2 1508 | CA2 1608 | CA2 1808 |
| 36 3/16 [919] | 35 7/16 [900] | 29 [736] | CA2 0809 | CA2 1009 | CA2 1209 | CA2 1409 | CA2 1509 | CA2 1609 | CA2 1809 |
| 40 1/8 [1019] | 39 3/8 [1000] | 32 15/16 [836] | CA2 0810 | CA2 1010 | CA2 1210 | CA2 1410 | CA2 1510 | CA2 1610 | CA2 1810 |
| 42 [1067] | 41 1/4 [1048] | 34 13/16 [884] | CA2 0811 | CA2 1011 | CA2 1211 | CA2 1411 | CA2 1511 | CA2 1611 | CA2 1811 |
| 48 [1219] | 47 1/4 [1200] | 40 13/16 [1036] | CA2 0812 | CA2 1012 | CA2 1212 | CA2 1412 | CA2 1512 | CA2 1612 | CA2 1812 |
| 55 7/8 [1419] | 55 1/8 [1400] | 48 11/16 [1236] | CA2 0814 | CA2 1014 | CA2 1214 | CA2 1414 | CA2 1514 | CA2 1614 | CA2 1814 |
| 59 13/16 [1519] | 59 1/16 [1500] | 52 5/8 [1336] | CA2 0815 | CA2 1015 | CA2 1215 | CA2 1415 | CA2 1515 | CA2 1615 | CA2 1815 |
| 63 3/4 [1619] | 63 [1600] | 56 9/16 [1436] | CA2 0816 | CA2 1016 | CA2 1216 | CA2 1416 | CA2 1516 | CA2 1616 | CA2 1816 |
| 71 5/8 [1819] | 70 7/8 [1800] | 64 7/16 [1636] | CA2 0818 | CA2 1018 | CA2 1218 | CA2 1418 | CA2 1518 | CA2 1618 | CA2 1818 |
| 83 7/16 [2119] | 82 11/16 [2100] | 76 1/4 [1936] | CA2 0821 | CA2 1021 | CA2 1221 | CA2 1421 | CA2 1521 | CA2 1621 | CA2 1821 |

Product Code

Glass Size = Visible Glass + 1 3/16" (30 mm)

Standard sizes shown. Additional sizes may be available. Custom sizes can be ordered.

- Note:
- SDL/Grille patterns are dependent on SDL/Grille type and window size. Please verify SDL/Grille patterns before confirming your order.
 - Available with Push Out hardware.
 - For Masonry opening information see page P19.
 - Sizes are shown as double glazing, not all sizes may be available in triple glazing.
 - Only available with Rotogear hardware

- Egress calculations are based on the unit being opened at 70° for washability hinge, 80° for egress hinge, and having minimum clear openings of:
 - ★ Meets US Egress: 20" in width, 24" in height, with a total egress area of 5.7 Sq Ft
 - ◆ Meets Canadian Egress: 15" in width, 15" in height, with a total egress area of 3.8 Sq Ft
- Please check your local building codes for any variation in Egress Standards from those stated above. For egress information, contact your Authorized Loewen Dealer.

Cyprimum Collection -
Windows - **Fixed Casement**

Size Charts

CA1

| Rough Opening | | | Width | | | | | | | | |
|-----------------|-----------------|-----------------|---------------|-------------|---------------|--------------|---------------|--------------|--------------|---------------|--------------|
| | | | Frame | | | | | | | | |
| | | | Visible Glass | 9 1/2 [241] | 13 7/16 [341] | 17 3/8 [441] | 21 5/16 [541] | 23 1/4 [591] | 25 1/4 [641] | 29 3/16 [741] | 33 1/8 [841] |
| 12 9/16 [319] | 11 13/16 [300] | 5 3/8 [136] | CA1 0403 | CA1 0503 | CA1 0603 | CA1 0703 | CA1 7503 | CA1 0803 | CA1 0903 | CA1 1003 | CA1 1103 |
| 16 1/2 [419] | 15 3/4 [400] | 9 5/16 [236] | CA1 0404 | CA1 0504 | CA1 0604 | CA1 0704 | CA1 7504 | CA1 0804 | CA1 0904 | CA1 1004 | CA1 1104 |
| 20 7/16 [519] | 19 11/16 [500] | 13 1/4 [336] | CA1 0405 | CA1 0505 | CA1 0605 | CA1 0705 | CA1 7505 | CA1 0805 | CA1 0905 | CA1 1005 | CA1 1105 |
| 24 3/8 [619] | 23 5/8 [600] | 17 3/16 [436] | CA1 0406 | CA1 0506 | CA1 0606 | CA1 0706 | CA1 7506 | CA1 0806 | CA1 0906 | CA1 1006 | CA1 1106 |
| 28 5/16 [719] | 27 9/16 [700] | 21 1/8 [536] | CA1 0407 | CA1 0507 | CA1 0607 | CA1 0707 | CA1 7507 | CA1 0807 | CA1 0907 | CA1 1007 | CA1 1107 |
| 30 1/4 [769] | 29 1/2 [750] | 23 1/16 [586] | CA1 0475 | CA1 0575 | CA1 0675 | CA1 0775 | CA1 7575 | CA1 0875 | CA1 0975 | CA1 1075 | CA1 1175 |
| 32 1/4 [819] | 31 1/2 [800] | 25 1/16 [636] | CA1 0408 | CA1 0508 | CA1 0608 | CA1 0708 | CA1 7508 | CA1 0808 | CA1 0908 | CA1 1008 | CA1 1108 |
| 36 3/16 [919] | 35 7/16 [900] | 29 [736] | CA1 0409 | CA1 0509 | CA1 0609 | CA1 0709 | CA1 7509 | CA1 0809 | CA1 0909 | CA1 1009 | CA1 1109 |
| 40 1/8 [1019] | 39 3/8 [1000] | 32 15/16 [836] | CA1 0410 | CA1 0510 | CA1 0610 | CA1 0710 | CA1 7510 | CA1 0810 | CA1 0910 | CA1 1010 | CA1 1110 |
| 42 [1067] | 41 1/4 [1048] | 34 13/16 [884] | CA1 0411 | CA1 0511 | CA1 0611 | CA1 0711 | CA1 7511 | CA1 0811 | CA1 0911 | CA1 1011 | CA1 1111 |
| 48 [1219] | 47 1/4 [1200] | 40 13/16 [1036] | CA1 0412 | CA1 0512 | CA1 0612 | CA1 0712 | CA1 7512 | CA1 0812 | CA1 0912 | CA1 1012 | CA1 1112 |
| 55 7/8 [1419] | 55 1/8 [1400] | 48 11/16 [1236] | CA1 0414 | CA1 0514 | CA1 0614 | CA1 0714 | CA1 7514 | CA1 0814 | CA1 0914 | CA1 1014 | CA1 1114 |
| 59 13/16 [1519] | 59 1/16 [1500] | 52 5/8 [1336] | CA1 0415 | CA1 0515 | CA1 0615 | CA1 0715 | CA1 7515 | CA1 0815 | CA1 0915 | CA1 1015 | CA1 1115 |
| 63 3/4 [1619] | 63 [1600] | 56 9/16 [1436] | CA1 0416 | CA1 0516 | CA1 0616 | CA1 0716 | CA1 7516 | CA1 0816 | CA1 0916 | CA1 1016 | CA1 1116 |
| 71 5/8 [1819] | 70 7/8 [1800] | 64 7/16 [1636] | CA1 0418 | CA1 0518 | CA1 0618 | CA1 0718 | CA1 7518 | CA1 0818 | CA1 0918 | CA1 1018 | CA1 1118 |
| 83 7/16 [2119] | 82 11/16 [2100] | 76 1/4 [1936] | CA1 0421 | CA1 0521 | CA1 0621 | CA1 0721 | CA1 7521 | CA1 0821 | CA1 0921 | CA1 1021 | CA1 1121 |
| 95 1/4 [2419] | 94 1/2 [2400] | 88 1/16 [2236] | CA1 0424 | CA1 0524 | CA1 0624 | CA1 0724 | CA1 7524 | CA1 0824 | CA1 0924 | CA1 1024 | CA1 1124 |

Product Code

Glass Size = Visible Glass + 1 3/16" (30 mm)

Standard sizes Shown. Additional sizes may be available. Custom sizes can be ordered.

- Note:
- SDL/Grille patterns are dependent on SDL/Grille type and window size. Please verify SDL/Grille patterns before confirming your order.
 - For Masonry opening information see page P19.
 - Sizes are shown as double glazing, not all sizes may be available in triple glazing.

Cyprimum Collection -
Windows - **Fixed Casement**

Size Charts

CA1

| Rough Opening | | | Width | | | | | | | |
|-----------------|-----------------|-----------------|---------------|-----------|---------------|-----------------|---------------|---------------|---------------|----------------|
| | | | Frame | | | | | | | |
| | | | Visible Glass | 41 [1041] | 48 7/8 [1241] | 52 13/16 [1341] | 56 3/4 [1441] | 64 5/8 [1641] | 72 1/2 [1841] | 76 7/16 [1941] |
| 12 9/16 [319] | 11 13/16 [300] | 5 3/8 [136] | CA1 1203 | CA1 1403 | CA1 1503 | CA1 1603 | CA1 1803 | CA1 2003 | CA1 2103 | |
| 16 1/2 [419] | 15 3/4 [400] | 9 5/16 [236] | CA1 1204 | CA1 1404 | CA1 1504 | CA1 1604 | CA1 1804 | CA1 2004 | CA1 2104 | |
| 20 7/16 [519] | 19 11/16 [500] | 13 1/4 [336] | CA1 1205 | CA1 1405 | CA1 1505 | CA1 1605 | CA1 1805 | CA1 2005 | CA1 2105 | CA1 2405 |
| 24 3/8 [619] | 23 5/8 [600] | 17 3/16 [436] | CA1 1206 | CA1 1406 | CA1 1506 | CA1 1606 | CA1 1806 | CA1 2006 | CA1 2106 | CA1 2406 |
| 28 5/16 [719] | 27 9/16 [700] | 21 1/8 [536] | CA1 1207 | CA1 1407 | CA1 1507 | CA1 1607 | CA1 1807 | CA1 2007 | CA1 2107 | CA1 2407 |
| 30 1/4 [769] | 29 1/2 [750] | 23 1/16 [586] | CA1 1275 | CA1 1475 | CA1 1575 | CA1 1675 | CA1 1875 | CA1 2075 | CA1 2175 | CA1 2475 |
| 32 1/4 [819] | 31 1/2 [800] | 25 1/16 [636] | CA1 1208 | CA1 1408 | CA1 1508 | CA1 1608 | CA1 1808 | CA1 2008 | CA1 2108 | CA1 2408 |
| 36 3/16 [919] | 35 7/16 [900] | 29 [736] | CA1 1209 | CA1 1409 | CA1 1509 | CA1 1609 | CA1 1809 | CA1 2009 | CA1 2109 | CA1 2409 |
| 40 1/8 [1019] | 39 3/8 [1000] | 32 15/16 [836] | CA1 1210 | CA1 1410 | CA1 1510 | CA1 1610 | CA1 1810 | CA1 2010 | CA1 2110 | CA1 2410 |
| 42 [1067] | 41 1/4 [1048] | 34 13/16 [884] | CA1 1211 | CA1 1411 | CA1 1511 | CA1 1611 | CA1 1811 | CA1 2011 | CA1 2111 | CA1 2411 |
| 48 [1219] | 47 1/4 [1200] | 40 13/16 [1036] | CA1 1212 | CA1 1412 | CA1 1512 | CA1 1612 | CA1 1812 | CA1 2012 | CA1 2112 | CA1 2412 |
| 55 7/8 [1419] | 55 1/8 [1400] | 48 11/16 [1236] | CA1 1214 | CA1 1414 | CA1 1514 | CA1 1614 | CA1 1814 | CA1 2014 | CA1 2114 | CA1 2414 |
| 59 13/16 [1519] | 59 1/16 [1500] | 52 5/8 [1336] | CA1 1215 | CA1 1415 | CA1 1515 | CA1 1615 | CA1 1815 | CA1 2015 | CA1 2115 | CA1 2415 |
| 63 3/4 [1619] | 63 [1600] | 56 9/16 [1436] | CA1 1216 | CA1 1416 | CA1 1516 | CA1 1616 | CA1 1816 | CA1 2016 | CA1 2116 | CA1 2416 |
| 71 5/8 [1819] | 70 7/8 [1800] | 64 7/16 [1636] | CA1 1218 | CA1 1418 | CA1 1518 | CA1 1618 | CA1 1818 | CA1 2018 | CA1 2118 | |
| 83 7/16 [2119] | 82 11/16 [2100] | 76 1/4 [1936] | CA1 1221 | CA1 1421 | CA1 1521 | CA1 1621 | CA1 1821 | | | |
| 95 1/4 [2419] | 94 1/2 [2400] | 88 1/16 [2236] | CA1 1224 | CA1 1424 | CA1 1524 | CA1 1624 | | | | |

Product Code

Glass Size = Visible Glass + 1 3/16" (30 mm)

Standard sizes Shown. Additional sizes may be available. Custom sizes can be ordered.

- Note:
- SDL/Grille patterns are dependent on SDL/Grille type and window size. Please verify SDL/Grille patterns before confirming your order.
 - For Masonry opening information see page P19.
 - Sizes are shown as double glazing, not all sizes may be available in triple glazing.

Cyprum Collection -
Windows - **Pushout French Casement**

Size Charts

FCA

| | | | Width | | | | | | | |
|-----------------|----------------|-----------------|---------------|---------------|----------------|----------------|----------------|-----------------|----------------|---------------|
| Rough Opening | Frame | | 32 1/4 [819] | 40 1/8 [1019] | 42 [1067] | 48 [1219] | 55 7/8 [1419] | 59 13/16 [1519] | 63 3/4 [1619] | 71 5/8 [1819] |
| | Visible Glass | 31 1/2 [800] | 39 3/8 [1000] | 41 1/4 [1048] | 47 1/4 [1200] | 55 1/8 [1400] | 59 1/16 [1500] | 63 [1600] | 70 7/8 [1800] | |
| | | | 10 1/16 [255] | 14 [355] | 14 15/16 [379] | 17 15/16 [455] | 21 7/8 [555] | 23 13/16 [605] | 25 13/16 [655] | 29 3/4 [755] |
| 24 3/8 [619] | 23 5/8 [600] | 17 3/16 [436] | FCA 0806 | ✦ FCA 1006 | ✦ FCA 1106 | ✦ FCA 1206 | ✦ FCA 1406 | | | |
| 32 1/4 [819] | 31 1/2 [800] | 25 1/16 [636] | ★★ FCA 0808 | ★★ FCA 1008 | ★★ FCA 1108 | ★★ FCA 1208 | ★★ FCA 1408 | ★★ FCA 1508 | ★★ FCA 1608 | ★★ FCA 1808 |
| 36 3/16 [919] | 35 7/16 [900] | 29 [736] | ★★ FCA 0809 | ★★ FCA 1009 | ★★ FCA 1109 | ★★ FCA 1209 | ★★ FCA 1409 | ★★ FCA 1509 | ★★ FCA 1609 | ★★ FCA 1809 |
| 40 1/8 [1019] | 39 3/8 [1000] | 32 15/16 [836] | ★★ FCA 0810 | ★★ FCA 1010 | ★★ FCA 1110 | ★★ FCA 1210 | ★★ FCA 1410 | ★★ FCA 1510 | ★★ FCA 1610 | ★★ FCA 1810 |
| 42 [1067] | 41 1/4 [1048] | 34 13/16 [884] | FCA 0811 | FCA 1011 | FCA 1111 | FCA 1211 | FCA 1411 | FCA 1511 | FCA 1611 | FCA 1811 |
| 48 [1219] | 47 1/4 [1200] | 40 13/16 [1036] | ★★ FCA 0812 | ★★ FCA 1012 | ★★ FCA 1112 | ★★ FCA 1212 | ★★ FCA 1412 | ★★ FCA 1512 | ★★ FCA 1612 | ★★ FCA 1812 |
| 55 7/8 [1419] | 55 1/8 [1400] | 48 11/16 [1236] | ★★ FCA 0814 | ★★ FCA 1014 | ★★ FCA 1114 | ★★ FCA 1214 | ★★ FCA 1414 | ★★ FCA 1514 | ★★ FCA 1614 | ★★ FCA 1814 |
| 59 13/16 [1519] | 59 1/16 [1500] | 52 5/8 [1336] | ★★ FCA 0815 | ★★ FCA 1015 | ★★ FCA 1115 | ★★ FCA 1215 | ★★ FCA 1415 | ★★ FCA 1515 | ★★ FCA 1615 | ★★ FCA 1815 |
| 63 3/4 [1619] | 63 [1600] | 56 9/16 [1436] | ★★ FCA 0816 | ★★ FCA 1016 | ★★ FCA 1116 | ★★ FCA 1216 | ★★ FCA 1416 | ★★ FCA 1516 | ★★ FCA 1616 | ★★ FCA 1816 |
| 71 5/8 [1819] | 70 7/8 [1800] | 64 7/16 [1636] | ★★ FCA 0818 | ★★ FCA 1018 | ★★ FCA 1118 | ★★ FCA 1218 | ★★ FCA 1418 | ★★ FCA 1518 | ★★ FCA 1618 | ★★ FCA 1818 |

Product Code

Glass Size = Visible Glass + 1 3/16" (30 mm)

Standard sizes Shown. Additional sizes may be available. Custom sizes can be ordered.

- Note:
- SDL/Grille patterns are dependent on SDL/Grille type and window size. Please verify SDL/Grille patterns before confirming your order.
 - Available with Push Out hardware.
 - For Masonry opening information see page P19.
 - Sizes are shown as double glazing, not all sizes may be available in triple glazing.
 - Egress calculations are based on the unit being opened at 70° for washability hinge, 80° for egress hinge, and having minimum clear openings of:
 - ★ Meets US Egress: 20" in width, 24" in height, with a total egress area of 5.7 Sq Ft
 - ✦ Meets Canadian Egress: 15" in width, 15" in height, with a total egress area of 3.8 Sq Ft
 - Please check your local building codes for any variation in Egress Standards from those stated above. For egress information, contact your Authorized Loewen Dealer.

Cyprum Collection -
Windows - **Camber Top Casement**

Size Charts

CTC1

| | | | Width | | | | | | | |
|-----------------|-----------------|-----------------|----------------|---------------|---------------|---------------|--------------|---------------|---------------|--|
| Rough Opening | Frame | | 16 1/2 [419] | 20 7/16 [519] | 24 3/8 [619] | 28 5/16 [719] | 30 1/4 [769] | 32 1/4 [819] | 36 3/16 [919] | |
| | Visible Glass | 15 3/4 [400] | 19 11/16 [500] | 23 5/8 [600] | 27 9/16 [700] | 29 1/2 [750] | 31 1/2 [800] | 35 7/16 [900] | | |
| | | | 9 1/2 [241] | 13 7/16 [341] | 17 3/8 [441] | 21 5/16 [541] | 23 1/4 [591] | 25 1/4 [641] | 29 3/16 [741] | |
| 24 3/8 [619] | 23 5/8 [600] | 17 3/16 [436] | CTC1 0406 | CTC1 0506 | CTC1 0606 | CTC1 0706 | CTC1z 7506 | | | |
| 28 5/16 [719] | 27 9/16 [700] | 21 1/8 [536] | CTC1 0407 | CTC1 0507 | CTC1 0607 | CTC1 0707 | CTC1 7507 | CTC1 0807 | | |
| 30 1/4 [769] | 29 1/2 [750] | 23 1/16 [586] | CTC1 0475 | CTC1 0575 | CTC1 0675 | CTC1 0775 | CTC1 7575 | CTC1 0875 | | |
| 32 1/4 [819] | 31 1/2 [800] | 25 1/16 [636] | CTC1 0408 | CTC1 0508 | CTC1 0608 | CTC1 0708 | CTC1 7508 | CTC1 0808 | | |
| 36 3/16 [919] | 35 7/16 [900] | 29 [736] | CTC1 0409 | CTC1 0509 | CTC1 0609 | CTC1 0709 | CTC1 7509 | CTC1 0809 | CTC1 0909 | |
| 40 1/8 [1019] | 39 3/8 [1000] | 32 15/16 [836] | CTC1 0410 | CTC1 0510 | CTC1 0610 | CTC1 0710 | CTC1 7510 | CTC1 0810 | CTC1 0910 | |
| 42 [1067] | 41 1/4 [1048] | 34 13/16 [884] | CTC1 0411 | CTC1 0511 | CTC1 0611 | CTC1 0711 | CTC1 7511 | CTC1 0811 | CTC1 0911 | |
| 48 [1219] | 47 1/4 [1200] | 40 13/16 [1036] | CTC1 0412 | CTC1 0512 | CTC1 0612 | CTC1 0712 | CTC1 7512 | CTC1 0812 | CTC1 0912 | |
| 55 7/8 [1419] | 55 1/8 [1400] | 48 11/16 [1236] | CTC1 0414 | CTC1 0514 | CTC1 0614 | CTC1 0714 | CTC1 7514 | CTC1 0814 | CTC1 0914 | |
| 59 13/16 [1519] | 59 1/16 [1500] | 52 5/8 [1336] | CTC1 0415 | CTC1 0515 | CTC1 0615 | CTC1 0715 | CTC1 7515 | CTC1 0815 | CTC1 0915 | |
| 63 3/4 [1619] | 63 [1600] | 56 9/16 [1436] | CTC1 0416 | CTC1 0516 | CTC1 0616 | CTC1 0716 | CTC1 7516 | CTC1 0816 | CTC1 0916 | |
| 71 5/8 [1819] | 70 7/8 [1800] | 64 7/16 [1636] | CTC1 0418 | CTC1 0518 | CTC1 0618 | CTC1 0718 | CTC1 7518 | CTC1 0818 | CTC1 0918 | |
| 83 7/16 [2119] | 82 11/16 [2100] | 76 1/4 [1936] | CTC1 0421 | CTC1 0521 | CTC1 0621 | CTC1 0721 | CTC1 7521 | CTC1 0821 | CTC1 0921 | |

Product Code

Glass Size = Visible Glass + 1 3/16" (30 mm)

Standard sizes Shown. Additional sizes may be available. Custom sizes can be ordered.

- Note:
- SDL/Grille patterns are dependent on SDL/Grille type and window size. Please verify SDL/Grille patterns before confirming your order.
 - Available with Push Out hardware.
 - 31 1/2" (800mm) radius.
 - For Masonry opening information see page P19.
 - Sizes are shown as double glazing, not all sizes may be available in triple glazing.

Cyprum Collection -
Windows - **Half Round Casement**

Size Charts

CTC1

| | Rough Opening | | Width | |
|--------------------|--------------------|--------------------|-----------------|------------------|
| | Frame | | | |
| | Visible Glass | | | |
| | | | 32 1/4 [819] | 36 3/16 [919] |
| | | | 31 1/2 [800] | 35 7/16 [900] |
| | | | 25 1/4 [641] | 29 3/16 [741] |
| 48 [1219] | 47 1/4 [1200] | 40 13/16 [1036] | CTC1 0812 | |
| 55 7/8 [1419] | 55 1/8 [1400] | 48 11/16 [1236] | CTC1 0814 | CTC1 0914 |
| 59 13/16 [1519] | 59 1/16 [1500] | 52 5/8 [1336] | CTC1 0815 | CTC1 0915 |
| 63 3/4 [1619] | 63 [1600] | 56 9/16 [1436] | CTC1 0816 | CTC1 0916 |
| 71 5/8 [1819] | 70 7/8 [1800] | 64 7/16 [1636] | CTC1 0818 | CTC1 0918 |
| 83 7/16 [2119] | 82 11/16 [2100] | 76 1/4 [1936] | CTC1 0821 | CTC1 0921 |

Product Code

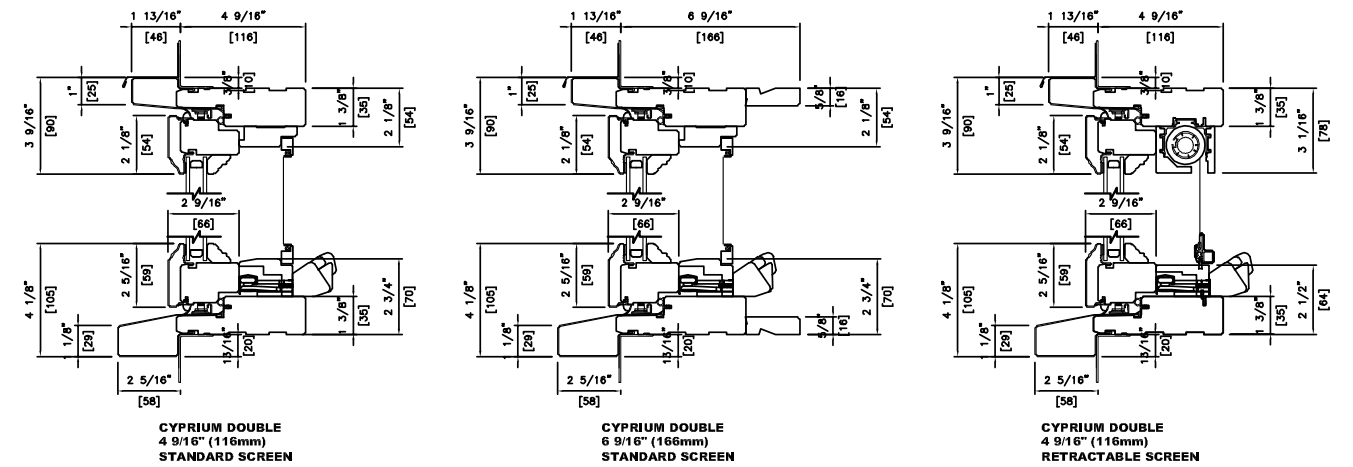
Glass Size = Visible Glass + 1 3/16" (30 mm)

Cyprum Collection -
Windows - **Casement**

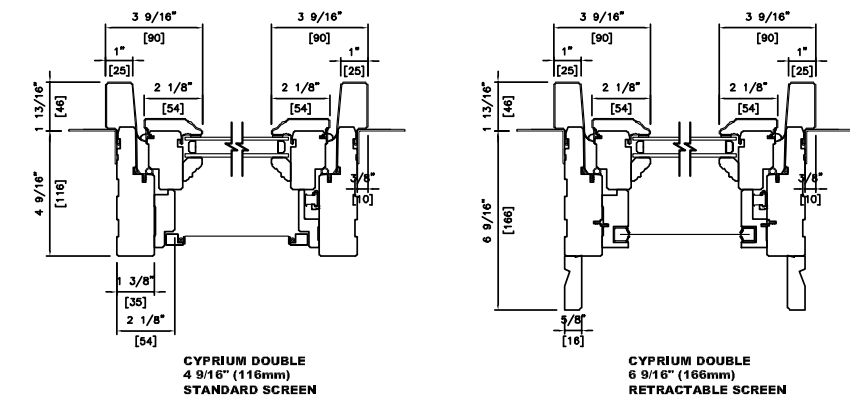
Drawings

Casement

**Head & Sill
Detail**



Plan View



Standard sizes Shown. Additional sizes may be available. Custom sizes can be ordered.

- Note:
- SDL/Grille patterns are dependent on SDL/Grille type and window size. Please verify SDL/Grille patterns before confirming your order.
 - Available with Push Out hardware.
 - For Masonry opening information see page P19.
 - Sizes are shown as double glazing, not all sizes may be available in triple glazing.

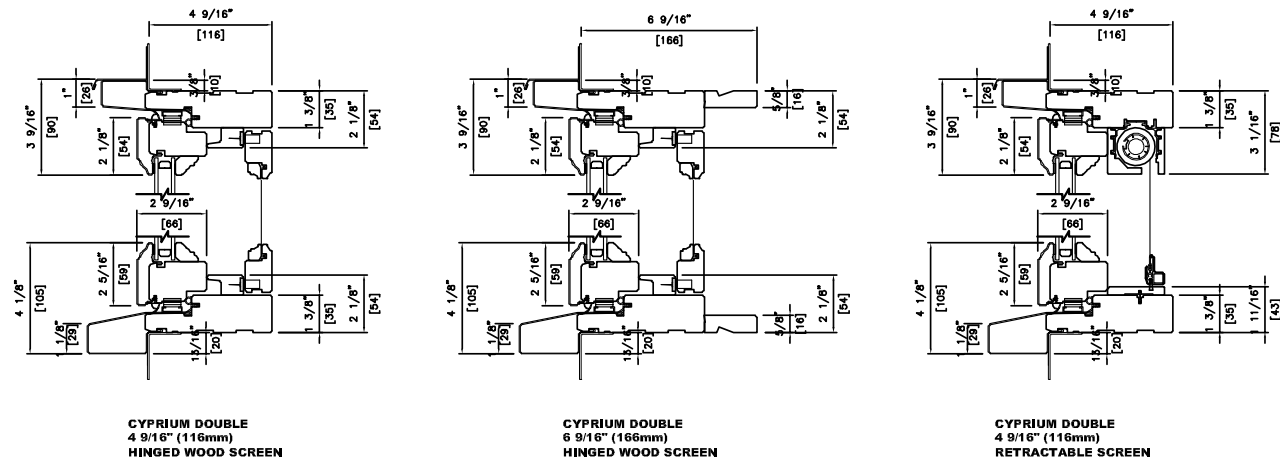
- Note:
- Other jamb widths available.
 - All dimensions to have +/- 1/16" (2mm) tolerance.

Cyprimum Collection -
Windows - **Casement**

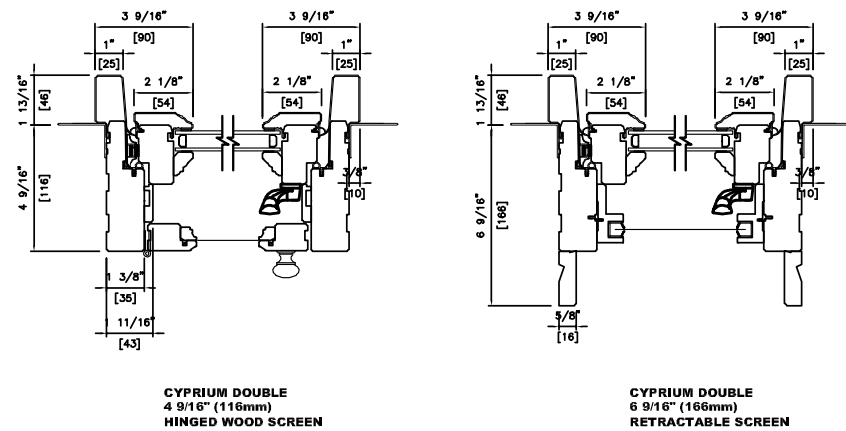
Drawings

Pushout Casement

**Head & Sill
Detail**



Plan View



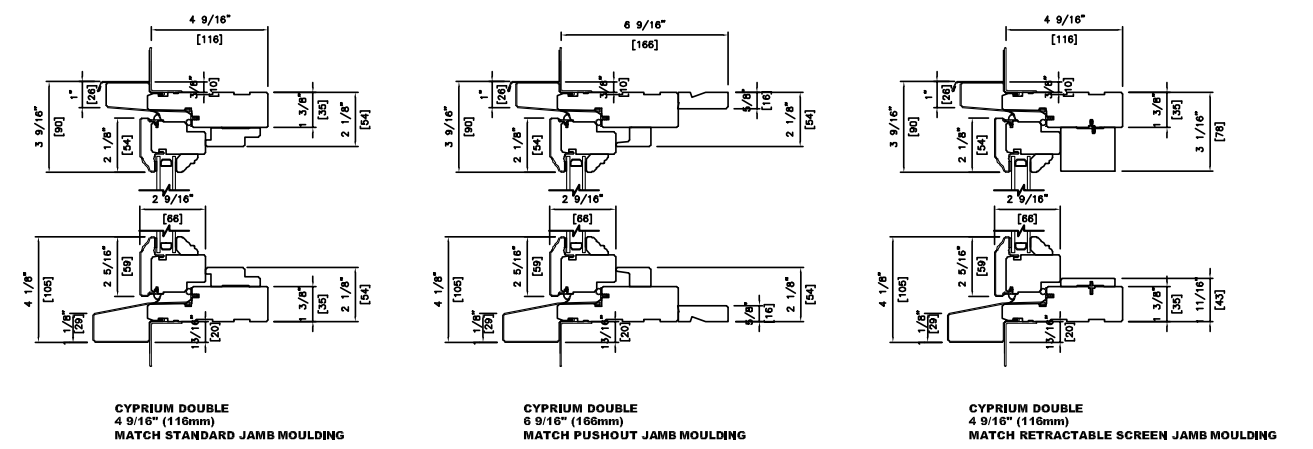
Note: • Other jamb widths available.
• All dimensions to have +/- 1/16" (2mm) tolerance.

Cyprimum Collection -
Windows - **Casement**

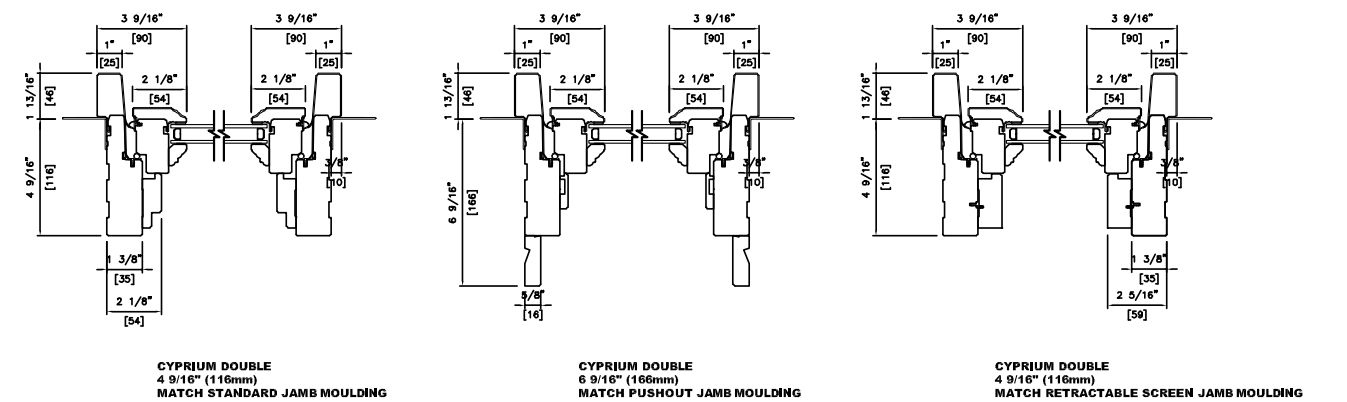
Drawings

Fixed Casement

**Head & Sill
Detail**



Plan View



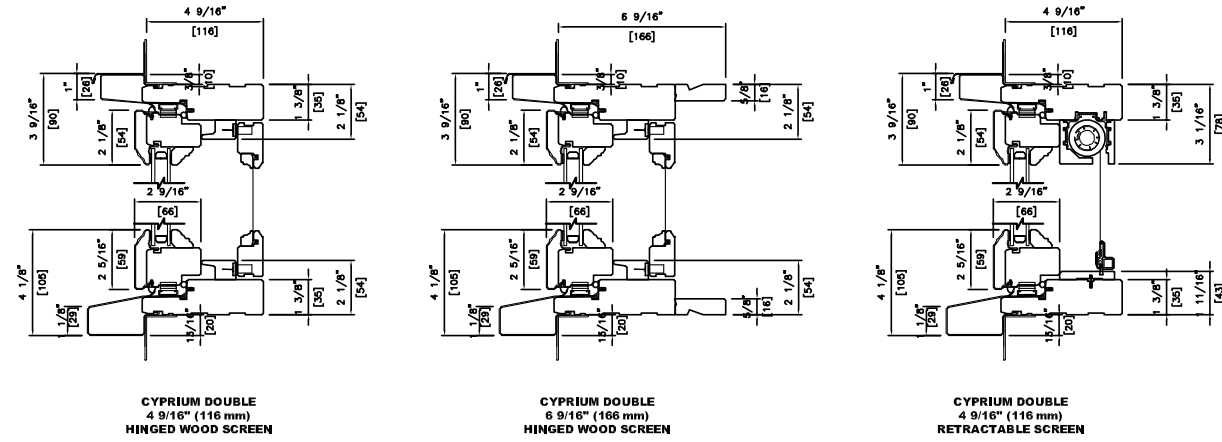
Note: • Other jamb widths available.
• All dimensions to have +/- 1/16" (2mm) tolerance.

Cyprimum Collection -
Windows - **Casement**

Drawings

Push Out French Casement

**Head & Sill
Detail**

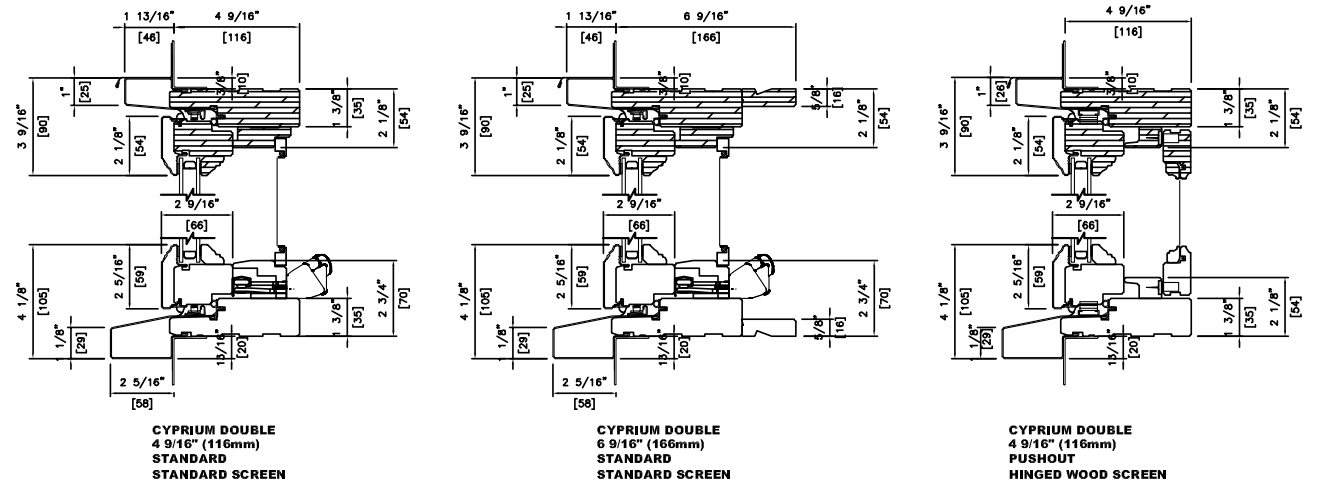


Cyprimum Collection -
Windows - **Casement**

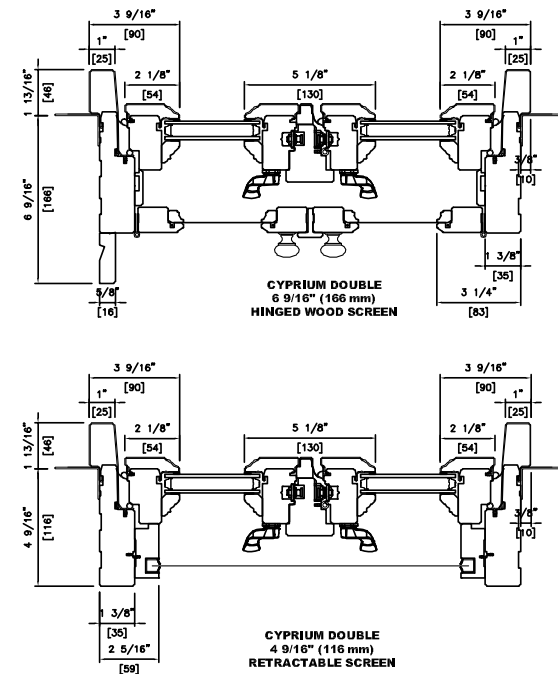
Drawings

Radius Top Casement

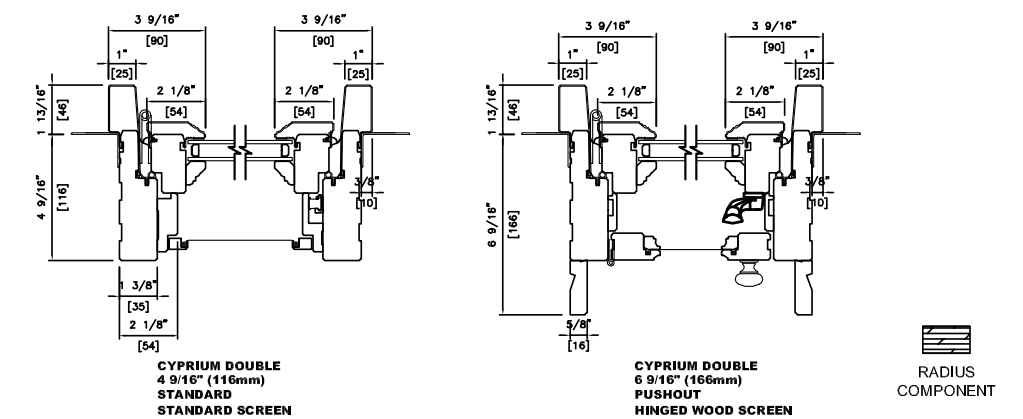
**Head & Sill
Detail**



Plan View



Plan View



Note: • Other jamb widths available.
• All dimensions to have +/- 1/16" (2mm) tolerance.

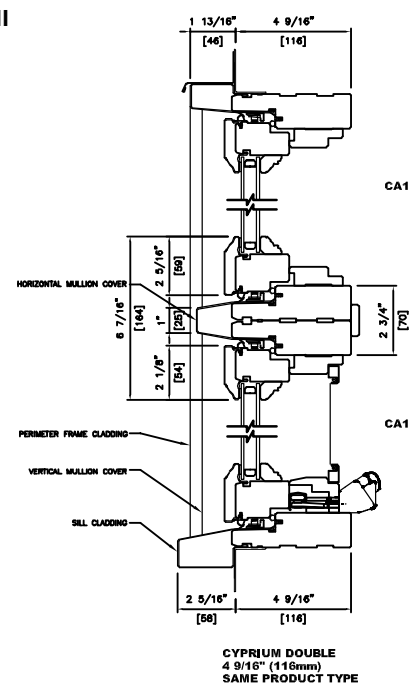
Note: • Other jamb widths available.
• All dimensions to have +/- 1/16" (2mm) tolerance.

Cyprium Collection -
Windows - **Casement**

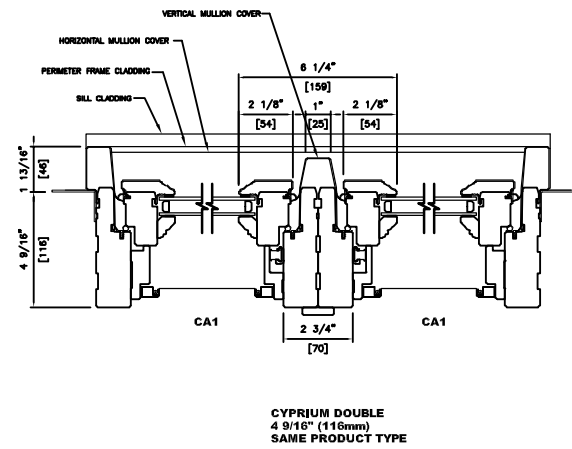
Drawings

Recessed Mullion Casement

Head & Sill Detail



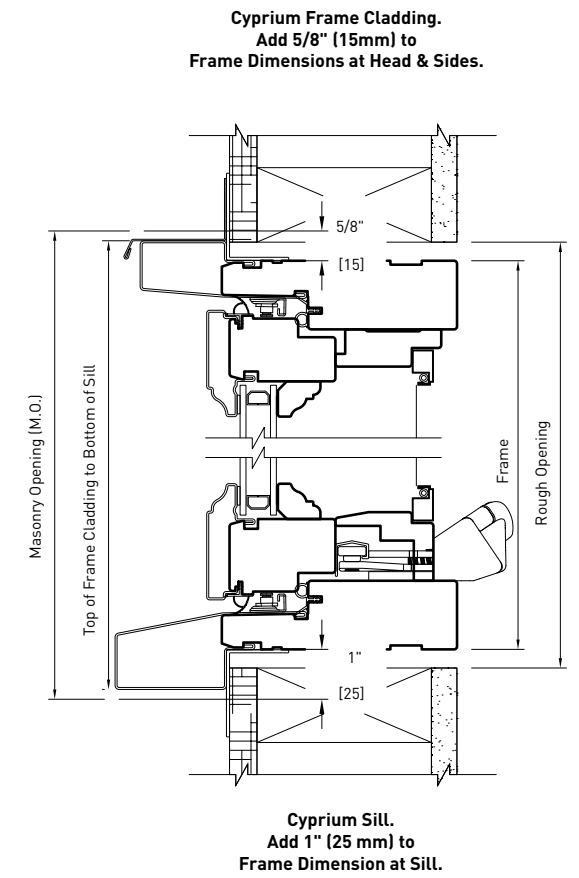
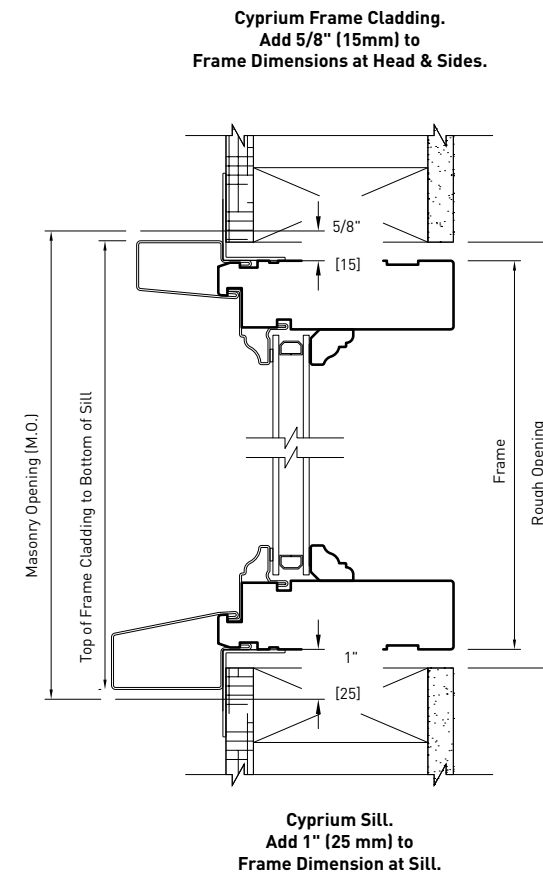
Plan View



Cyprium Collection -
Windows - **Casement**

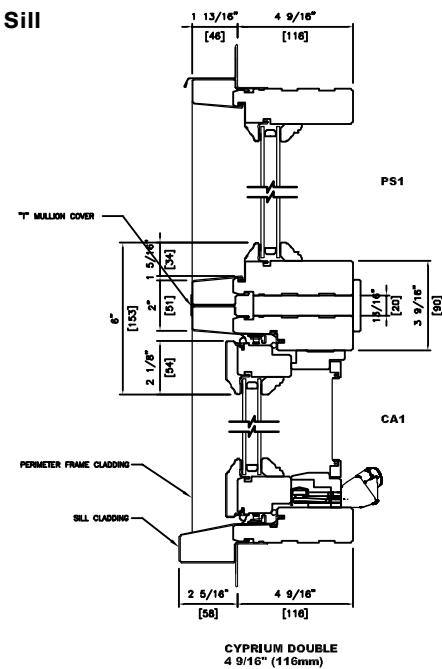
Drawings

Masonry Opening

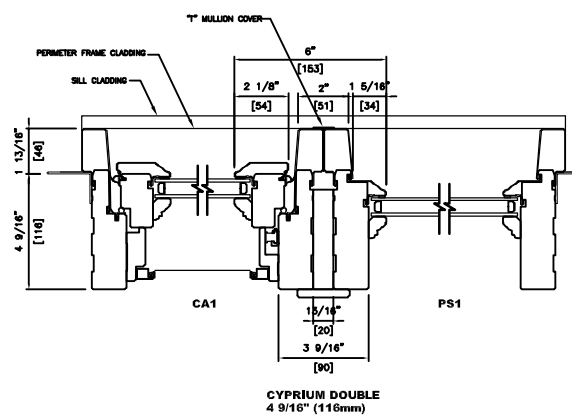


Cyprium Casement “T” Mullion with Picture/Direct Set Window Detail

Head & Sill Detail



Plan View



- EXAMPLE #1: PS1 2415, Frame dimensions, 94 1/2" [2400mm] x 59 1/16" [1500mm].
Masonry width = 94 1/2" (2400mm) + [5/8" (15mm) x 2] = 95 3/4" [2430mm]
Masonry height = 59 1/16" (1500mm) + 5/8" (15mm) + 1" (25mm) = 60 11/16" [1540mm]
- EXAMPLE #2: CA1 0816, Frame dimensions, 31 1/2" (800mm) x 63" [1600mm].
Masonry width = 31 1/2" (800mm) + [5/8" (15mm) x 2] = 32 3/4" (830mm)
Masonry height = 63" (1600mm) + 5/8" (15mm) + 1" (25mm) = 64 5/8" [1640mm]

Note: • Other jamb widths available.
• All dimensions to have +/- 1/16" (2mm) tolerance.

Cyprum Collection -
Windows - **Awning**

Size Charts

AW1

| Rough Opening | | Width | | | | | | | | | | | | |
|---------------------|----------------------|-----------------------|-----------------|---------------------|-----------------|------------------|---------------------|------------------|------------------|------------------|------------------|-----------------------|------------------|--------------|
| | | 20 | 24 3/8 | 28 | 30 1/4 | 32 1/4 | 36 | 40 1/8 | 42 | 48 | 55 7/8 | 59 | 63 3/4 | |
| | | 7/16 [519] | 24 3/8 [619] | 28 5/16 [719] | 30 1/4 [769] | 32 1/4 [819] | 36 3/16 [919] | 40 1/8 [1019] | 42 [1067] | 48 [1219] | 55 7/8 [1419] | 59 13/16 [1519] | 63 3/4 [1619] | |
| Frame | | 19 | 23 5/8 | 27 | 29 1/2 | 31 1/2 | 35 | 39 3/8 | 41 1/4 | 47 1/4 | 55 1/8 | 59 | 63 | |
| | | 11/16 [500] | 23 5/8 [600] | 27 9/16 [700] | 29 1/2 [750] | 31 1/2 [800] | 35 7/16 [900] | 39 3/8 [1000] | 41 1/4 [1048] | 47 1/4 [1200] | 55 1/8 [1400] | 59 1/16 [1500] | 63 [1600] | |
| Visible Glass | | 13 | 17 3/8 | 21 | 23 1/4 | 25 1/4 | 29 | 33 1/8 | 35 | 41 | 48 7/8 | 52 | 56 3/4 | |
| | | 7/16 [341] | 17 3/8 [441] | 21 5/16 [541] | 23 1/4 [591] | 25 1/4 [641] | 29 3/16 [741] | 33 1/8 [841] | 35 [889] | 41 [1041] | 48 7/8 [1241] | 52 13/16 [1341] | 56 3/4 [1441] | |
| 16 1/2 [419] | 15 3/4 [400] | 9 5/16 [236] | AW1* 0504 | AW1* 0604 | AW1* 0704 | AW1* 7504 | AW1* 0804 | AW1* 0904 | AW1* 1004 | AW1* 1104 | AW1* 1204 | AW1* 1404 | AW1* 1504 | AW1* 1604 |
| 20 7/16 [519] | 19 11/16 [500] | 13 1/4 [336] | AW1* 0505 | AW1* 0605 | AW1* 0705 | AW1* 7505 | AW1* 0805 | AW1* 0905 | AW1* 1005 | AW1* 1105 | AW1* 1205 | AW1* 1405 | AW1* 1505 | AW1* 1605 |
| 24 3/8 [619] | 23 5/8 [600] | 17 3/16 [436] | AW1* 0506 | AW1 0606 | AW1 0706 | AW1 7506 | AW1 0806 | AW1 0906 | AW1 1006 | AW1 1106 | AW1 1206 | AW1 1406 | AW1 1506 | AW1 1606 |
| 28 5/16 [719] | 27 9/16 [700] | 21 1/8 [536] | AW1* 0507 | AW1 0607 | AW1 0707 | AW1 7507 | AW1 0807 | AW1 0907 | AW1 1007 | AW1 1107 | AW1 1207 | AW1 1407 | AW1 1507 | AW1 1607 |
| 30 1/4 [769] | 29 1/2 [750] | 23 1/16 [586] | AW1* 0575 | AW1 0675 | AW1 0775 | AW1 7575 | AW1 0875 | AW1 0975 | ✦ AW1 1075 | AW1 1175 | ✦ AW1 1275 | ✦ AW1 1475 | ✦ AW1 1575 | AW1* 1675 |
| 32 1/4 [819] | 31 1/2 [800] | 25 1/16 [636] | AW1* 0508 | AW1 0608 | AW1 0708 | AW1 7508 | AW1 0808 | AW1 0908 | ✦ AW1 1008 | AW1 1108 | ✦ AW1 1208 | ✦ AW1 1408 | ✦ AW1 1508 | AW1* 1608 |
| 36 3/16 [919] | 35 7/16 [900] | 29 [736] | AW1* 0509 | AW1 0609 | AW1 0709 | AW1 7509 | AW1 0809 | ✦ AW1 0909 | ✦ AW1 1009 | AW1 1109 | ✦ AW1 1209 | ✦ AW1 1409 | ✦ AW1 1509 | AW1* 1609 |
| 40 1/8 [1019] | 39 3/8 [1000] | 32 15/16 [836] | AW1* 0510 | AW1 0610 | AW1 0710 | AW1 7510 | AW1 0810 | ✦ AW1 0910 | ✦ AW1 1010 | AW1 1110 | ✦ AW1 1210 | ✦ AW1 1410 | ✦ AW1 1510 | AW1* 1610 |
| 42 [1067] | 41 1/4 [1048] | 34 13/16 [884] | AW1* 0511 | AW1 0611 | AW1 0711 | AW1 7511 | AW1 0811 | ✦ AW1 0911 | ✦ AW1 1011 | AW1 1111 | ✦ AW1 1211 | ✦ AW1 1411 | ✦ AW1 1511 | AW1* 1611 |
| 48 [1219] | 47 1/4 [1200] | 40 13/16 [1036] | AW1* 0512 | AW1 0612 | AW1 0712 | ✦ AW1 7512 | ✦ AW1 0812 | ✦ AW1 0912 | ✦ AW1 1012 | AW1 1112 | ✦ AW1 1212 | ✦ AW1 1412 | ✦ AW1 1512 | AW1* 1612 |

Product Code

Glass Size = Visible Glass + 1 3/16" (30 mm)

Cyprum Collection -
Windows - **Awning**

Size Charts

AW2 (2 Wide)

| Rough Opening | | Width | | | | | | | | | |
|------------------|-------------------|--------------------|--------------|--------------|------------------|------------------|------------------|------------------|------------------|------------------|--------|
| | | Frame | | 48 | 55 7/8 | 59 13/16 | 63 3/4 | 71 5/8 | 71 5/8 | 83 1/4 | 95 1/4 |
| | | Visible Glass | | 47 1/4 | 55 1/8 | 59 1/16 | 63 | 70 7/8 | 70 7/8 | 82 1/2 | 94 1/2 |
| | | | | 17 3/8 | 21 5/16 | 23 1/4 | 25 1/4 | 29 3/16 | 33 1/8 | 35 | 41 |
| | | | | [441] | [541] | [591] | [641] | [741] | [841] | [889] | [1041] |
| 16 1/2 [419] | 15 3/4 [400] | 9 5/16 [236] | AW2* 1204 | AW2* 1404 | AW2* 1504 | AW2* 1604 | AW2* 1804 | AW2* 2004 | AW2* 2204 | AW2* 2404 | |
| 20 7/16 [519] | 19 11/16 [500] | 13 1/4 [336] | AW2* 1205 | AW2* 1405 | AW2* 1505 | AW2* 1605 | AW2* 1805 | AW2* 2005 | AW2* 2205 | AW2* 2405 | |
| 24 3/8 [619] | 23 5/8 [600] | 17 3/16 [436] | AW2 1206 | AW2 1406 | AW2 1506 | AW2 1606 | AW2 1806 | AW2 2006 | AW2 2206 | AW2 2406 | |
| 28 5/16 [719] | 27 9/16 [700] | 21 1/8 [536] | AW2 1207 | AW2 1407 | AW2 1507 | AW2 1607 | AW2 1807 | AW2 2007 | AW2 2207 | AW2 2407 | |
| 30 1/4 [769] | 29 1/2 [750] | 23 1/16 [586] | AW2 1275 | AW2 1475 | AW2 1575 | AW2 1675 | AW2 1875 | ✦ AW2 2075 | ✦ AW2 2275 | ✦ AW2 2475 | |
| 32 1/4 [819] | 31 1/2 [800] | 25 1/16 [636] | AW2 1208 | AW2 1408 | AW2 1508 | AW2 1608 | AW2 1808 | ✦ AW2 2008 | ✦ AW2 2208 | ✦ AW2 2408 | |
| 36 3/16 [919] | 35 7/16 [900] | 29 [736] | AW2 1209 | AW2 1409 | AW2 1509 | AW2 1609 | ✦ AW2 1809 | ✦ AW2 2009 | ✦ AW2 2209 | ✦ AW2 2409 | |
| 40 1/8 [1019] | 39 3/8 [1000] | 32 15/16 [836] | AW2 1210 | AW2 1410 | AW2 1510 | AW2 1610 | ✦ AW2 1810 | ✦ AW2 2010 | ✦ AW2 2210 | ✦ AW2 2410 | |
| 42 [1067] | 41 1/4 [1048] | 34 13/16 [884] | AW2 1211 | AW2 1411 | AW2 1511 | AW2 1611 | ✦ AW2 1811 | ✦ AW2 2011 | ✦ AW2 2211 | ✦ AW2 2411 | |
| 48 [1219] | 47 1/4 [1200] | 40 13/16 [1036] | AW2 1212 | AW2 1412 | ✦ AW2 1512 | ✦ AW2 1612 | ✦ AW2 1812 | ✦ AW2 2012 | ✦ AW2 2212 | ✦ AW2 2412 | |

Product Code

Glass Size = Visible Glass + 1 3/16" (30 mm)

Standard sizes Shown. Additional sizes may be available. Custom sizes can be ordered.

Note: SDL/Grille patterns are dependent on SDL/Grille type and window size. Please verify SDL/Grille patterns before confirming your order. Available with Push Out hardware. For Masonry opening information see page P19. Sizes are shown as double glazing, not all sizes may be available in triple glazing. * Only available with Rotogear hardware

Egress calculations are based on the unit being opened at 70° for washability hinge, 80° for egress hinge, and having minimum clear openings of:
 ★ Meets US Egress: 20" in width, 24" in height, with a total egress area of 5.7 Sq Ft
 ♣ Meets Canadian Egress: 15" in width, 15" in height, with a total egress area of 3.8 Sq Ft
 Please check your local building codes for any variation in Egress Standards from those stated above. For egress information, contact your Authorized Loewen Dealer.

Standard sizes Shown. Additional sizes may be available. Custom sizes can be ordered.

Note: SDL/Grille patterns are dependent on SDL/Grille type and window size. Please verify SDL/Grille patterns before confirming your order. Available with Push Out hardware. For Masonry opening information see page P19. Sizes are shown as double glazing, not all sizes may be available in triple glazing. * Only available with Rotogear hardware

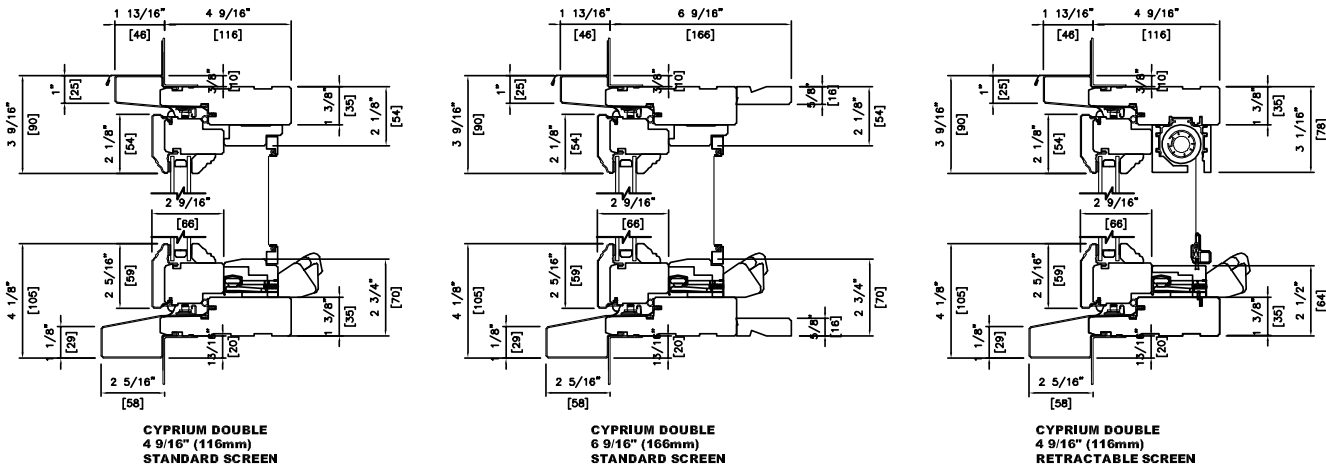
Egress calculations are based on the unit being opened at 70° for washability hinge, 80° for egress hinge, and having minimum clear openings of:
 ★ Meets US Egress: 20" in width, 24" in height, with a total egress area of 5.7 Sq Ft
 ♣ Meets Canadian Egress: 15" in width, 15" in height, with a total egress area of 3.8 Sq Ft
 Please check your local building codes for any variation in Egress Standards from those stated above. For egress information, contact your Authorized Loewen Dealer.

Cyprimum Collection -
Windows - **Awning**

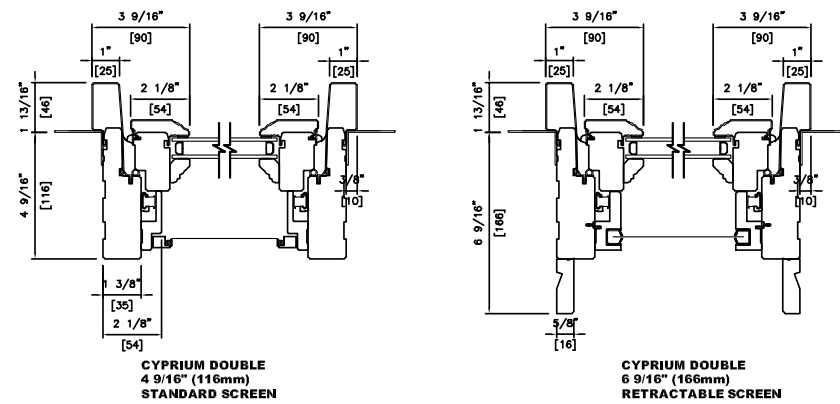
Drawings

Awning

**Head & Sill
Detail**



Plan View



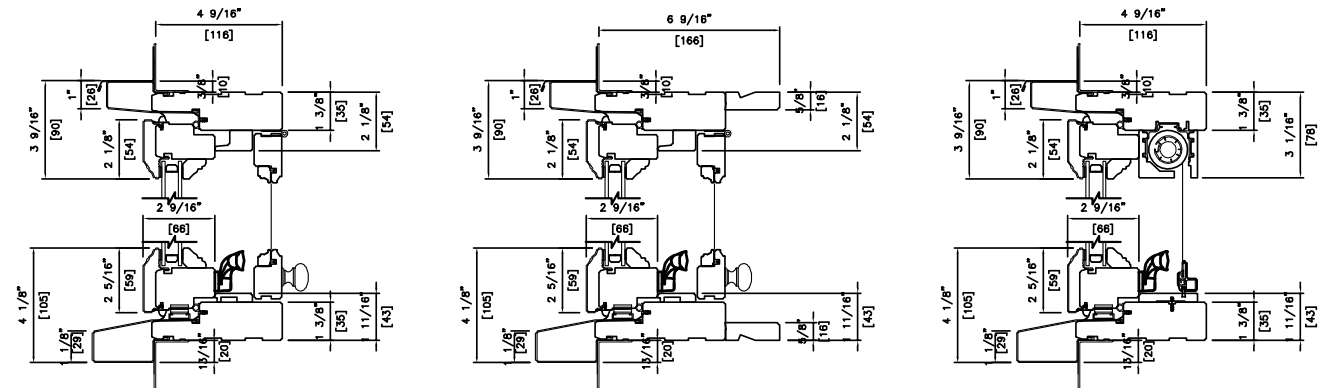
Note: • Other jamb widths available.
• All dimensions to have +/- 1/16" (2mm) tolerance.

Cyprimum Collection -
Windows - **Awning**

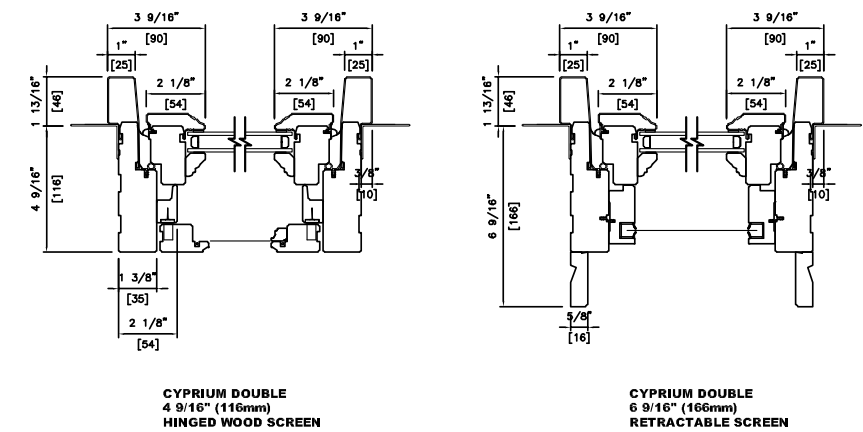
Drawings

Push Out Awning

**Head & Sill
Detail**



Plan View



Note: • Other jamb widths available.
• All dimensions to have +/- 1/16" (2mm) tolerance.

Cyprum Collection -
Windows - **Picture/Direct Set**

Size Charts

PS1

| Rough Opening | | | Width | | | | | | | |
|-----------------|-----------------|------------------|---------------|----------------|---------------|---------------|--------------|---------------|---------------|---------------|
| | | | Frame | | | | | | | |
| | | | Visible Glass | | | | | | | |
| | | | 16 1/2 [419] | 20 7/16 [519] | 24 3/8 [619] | 28 5/16 [719] | 30 1/4 [769] | 32 1/4 [819] | 36 3/16 [919] | 40 1/8 [1019] |
| | | | 15 3/4 [400] | 19 11/16 [500] | 23 5/8 [600] | 27 9/16 [700] | 29 1/2 [750] | 31 1/2 [800] | 35 7/16 [900] | 39 3/8 [1000] |
| | | | 11 9/16 [294] | 15 1/2 [394] | 19 7/16 [494] | 23 3/8 [594] | 25 3/8 [644] | 27 5/16 [694] | 31 1/4 [794] | 35 3/16 [894] |
| 12 9/16 [319] | 11 13/16 [300] | 7 5/8 [194] | PS1 0403 | PS1 0503 | PS1 0603 | PS1 0703 | PS1 7503 | PS1 0803 | PS1 0903 | PS1 1003 |
| 16 1/2 [419] | 15 3/4 [400] | 11 9/16 [294] | PS1 0404 | PS1 0504 | PS1 0604 | PS1 0704 | PS1 7504 | PS1 0804 | PS1 0904 | PS1 1004 |
| 20 7/16 [519] | 19 11/16 [500] | 15 1/2 [394] | PS1 0405 | PS1 0505 | PS1 0605 | PS1 0705 | PS1 7505 | PS1 0805 | PS1 0905 | PS1 1005 |
| 24 3/8 [619] | 23 5/8 [600] | 19 7/16 [494] | PS1 0406 | PS1 0506 | PS1 0606 | PS1 0706 | PS1 7506 | PS1 0806 | PS1 0906 | PS1 1006 |
| 28 5/16 [719] | 27 9/16 [700] | 23 3/8 [594] | PS1 0407 | PS1 0507 | PS1 0607 | PS1 0707 | PS1 7507 | PS1 0807 | PS1 0907 | PS1 1007 |
| 30 1/4 [769] | 29 1/2 [750] | 25 3/8 [644] | PS1 0475 | PS1 0575 | PS1 0675 | PS1 0775 | PS1 7575 | PS1 0875 | PS1 0975 | PS1 1075 |
| 32 1/4 [819] | 31 1/2 [800] | 27 15/16 [694] | PS1 0408 | PS1 0508 | PS1 0608 | PS1 0708 | PS1 7508 | PS1 0808 | PS1 0908 | PS1 1008 |
| 36 3/16 [919] | 35 7/16 [900] | 31 1/4 [794] | PS1 0409 | PS1 0509 | PS1 0609 | PS1 0709 | PS1 7509 | PS1 0809 | PS1 0909 | PS1 1009 |
| 40 1/8 [1019] | 39 3/8 [1000] | 35 3/16 [894] | PS1 0410 | PS1 0510 | PS1 0610 | PS1 0710 | PS1 7510 | PS1 0810 | PS1 0910 | PS1 1010 |
| 48 [1219] | 47 1/4 [1200] | 43 1/16 [1094] | PS1 0412 | PS1 0512 | PS1 0612 | PS1 0712 | PS1 7512 | PS1 0812 | PS1 0912 | PS1 1012 |
| 55 7/8 [1419] | 55 1/8 [1400] | 50 15/16 [1294] | PS1 0414 | PS1 0514 | PS1 0614 | PS1 0714 | PS1 7514 | PS1 0814 | PS1 0914 | PS1 1014 |
| 59 13/16 [1519] | 59 1/16 [1500] | 54 7/8 [1394] | PS1 0415 | PS1 0515 | PS1 0615 | PS1 0715 | PS1 7515 | PS1 0815 | PS1 0915 | PS1 1015 |
| 63 3/4 [1619] | 63 [1600] | 58 13/16 [1494] | PS1 0416 | PS1 0516 | PS1 0616 | PS1 0716 | PS1 7516 | PS1 0816 | PS1 0916 | PS1 1016 |
| 71 5/8 [1819] | 70 7/8 [1800] | 66 11/16 [1694] | PS1 0418 | PS1 0518 | PS1 0618 | PS1 0718 | PS1 7518 | PS1 0818 | PS1 0918 | PS1 1018 |
| 83 7/16 [2119] | 82 11/16 [2100] | 78 1/2 [1994] | PS1 0421 | PS1 0521 | PS1 0621 | PS1 0721 | PS1 7521 | PS1 0821 | PS1 0921 | PS1 1021 |
| 95 1/4 [2419] | 94 1/2 [2400] | 90 5/16 [2294] | | PS1 0524 | PS1 0624 | PS1 0724 | PS1 7524 | PS1 0824 | PS1 0924 | PS1 1024 |
| 118 7/8 [3019] | 118 1/8 [3000] | 113 15/16 [2894] | | | PS1 0630 | PS1 0730 | PS1 7530 | PS1 0830 | PS1 0930 | PS1 1030 |

Glass Size = Visible Glass + 1 3/16" (30 mm)

Standard sizes Shown. Additional sizes may be available. Custom sizes can be ordered.

Note: • For Masonry opening information see page P19.

Cyprum Collection -
Windows - **Picture/Direct Set**

Size Charts

PS1

| Rough Opening | | | Width | | | | | | | |
|-----------------|-----------------|------------------|----------------|-----------------|-----------------|-----------------|-----------------|-----------------|----------------|------------------|
| | | | Frame | | | | | | | |
| | | | Visible Glass | | | | | | | |
| | | | 48 [1219] | 55 7/8 [1419] | 59 13/16 [1519] | 63 3/4 [1619] | 71 5/8 [1819] | 83 7/16 [2119] | 95 1/4 [2419] | 118 7/8 [3019] |
| | | | 47 1/4 [1200] | 55 1/8 [1400] | 59 1/16 [1500] | 63 [1600] | 70 7/8 [1800] | 82 11/16 [2100] | 94 1/2 [2400] | 118 1/8 [3000] |
| | | | 43 1/16 [1094] | 50 15/16 [1294] | 54 7/8 [1394] | 58 13/16 [1492] | 66 11/16 [1694] | 78 1/2 [1994] | 90 5/16 [2294] | 113 15/16 [2894] |
| 12 9/16 [319] | 11 13/16 [300] | 7 5/8 [194] | PS1 1203 | PS1 1403 | PS1 1503 | PS1 1603 | PS1 1803 | PS1 2103 | | |
| 16 1/2 [419] | 15 3/4 [400] | 11 9/16 [294] | PS1 1204 | PS1 1404 | PS1 1504 | PS1 1604 | PS1 1804 | PS1 2104 | | |
| 20 7/16 [519] | 19 11/16 [500] | 15 1/2 [394] | PS1 1205 | PS1 1405 | PS1 1505 | PS1 1605 | PS1 1805 | PS1 2105 | PS1 2405 | |
| 24 3/8 [619] | 23 5/8 [600] | 19 7/16 [494] | PS1 1206 | PS1 1406 | PS1 1506 | PS1 1606 | PS1 1806 | PS1 2106 | PS1 2406 | PS1 3006 |
| 28 5/16 [719] | 27 9/16 [700] | 23 3/8 [594] | PS1 1207 | PS1 1407 | PS1 1507 | PS1 1607 | PS1 1807 | PS1 2107 | PS1 2407 | PS1 3007 |
| 30 1/4 [769] | 29 1/2 [750] | 25 3/8 [644] | PS1 1275 | PS1 1475 | PS1 1575 | PS1 1675 | PS1 1875 | PS1 2175 | PS1 2475 | PS1 3075 |
| 32 1/4 [819] | 31 1/2 [800] | 27 15/16 [694] | PS1 1208 | PS1 1408 | PS1 1508 | PS1 1608 | PS1 1808 | PS1 2108 | PS1 2408 | PS1 3008 |
| 36 3/16 [919] | 35 7/16 [900] | 31 1/4 [794] | PS1 1209 | PS1 1409 | PS1 1509 | PS1 1609 | PS1 1809 | PS1 2109 | PS1 2409 | PS1 3009 |
| 40 1/8 [1019] | 39 3/8 [1000] | 35 3/16 [894] | PS1 1210 | PS1 1410 | PS1 1510 | PS1 1610 | PS1 1810 | PS1 2110 | PS1 2410 | PS1 3010 |
| 48 [1219] | 47 1/4 [1200] | 43 1/16 [1094] | PS1 1212 | PS1 1412 | PS1 1512 | PS1 1612 | PS1 1812 | PS1 2112 | PS1 2412 | PS1 3012 |
| 55 7/8 [1419] | 55 1/8 [1400] | 50 15/16 [1294] | PS1 1214 | PS1 1414 | PS1 1514 | PS1 1614 | PS1 1814 | PS1 2114 | PS1 2414 | PS1 3014 |
| 59 13/16 [1519] | 59 1/16 [1500] | 54 7/8 [1394] | PS1 1215 | PS1 1415 | PS1 1515 | PS1 1615 | PS1 1815 | PS1 2115 | PS1 2415 | PS1 3015 |
| 63 3/4 [1619] | 63 [1600] | 58 13/16 [1494] | PS1 1216 | PS1 1416 | PS1 1516 | PS1 1616 | PS1 1816 | PS1 2116 | PS1 2416 | PS1 3016 |
| 71 5/8 [1819] | 70 7/8 [1800] | 66 11/16 [1694] | PS1 1218 | PS1 1418 | PS1 1518 | PS1 1618 | PS1 1818 | PS1 2118 | PS1 2418 | PS1 3018 |
| 83 7/16 [2119] | 82 11/16 [2100] | 78 1/2 [1994] | PS1 1221 | PS1 1421 | PS1 1521 | PS1 1621 | PS1 1821 | PS1 2121 | PS1 2421 | |
| 95 1/4 [2419] | 94 1/2 [2400] | 90 5/16 [2294] | PS1 1224 | PS1 1424 | PS1 1524 | PS1 1624 | PS1 1824 | PS1 2124 | | |
| 118 7/8 [3019] | 118 1/8 [3000] | 113 15/16 [2894] | PS1 1230 | PS1 1430 | PS1 1530 | PS1 1630 | PS1 1830 | | | |

Glass Size = Visible Glass + 1 3/16" (30 mm)

Standard sizes Shown. Additional sizes may be available. Custom sizes can be ordered.

Note: • For Masonry opening information see page P19.

Cyprimum Collection -
Windows - **Picture/Direct Set**

Size Charts

PS2 (2 Wide)

| Rough Opening | | | Width | | | | | | | | |
|--------------------|--------------------|--------------------|---------------|------------------|-----------------|------------------|--------------------|------------------|------------------|-------------------|------------------|
| | | | Frame | | 48 [1219] | 55 7/8 [1419] | 59 13/16 [1519] | 63 3/4 [1619] | 71 5/8 [1819] | 79 1/2 [2019] | 95 1/4 [2419] |
| | | | Visible Glass | 19 7/16 [494] | 23 3/8 [594] | 25 3/8 [644] | 27 5/16 [694] | 31 1/4 [794] | 35 3/16 [894] | 43 1/16 [1094] | |
| 24 3/8 [619] | 23 5/8 [600] | 19 7/16 [494] | PS2 1206 | PS2 1406 | PS2 1506 | PS2 1606 | PS2 1806 | PS2 2006 | PS2 2406 | | |
| 28 5/16 [719] | 27 9/16 [700] | 23 3/8 [594] | PS2 1207 | PS2 1407 | PS2 1507 | PS2 1607 | PS2 1807 | PS2 2007 | PS2 2407 | | |
| 30 1/4 [769] | 29 1/2 [750] | 25 3/8 [644] | PS2 1275 | PS2 1475 | PS2 1575 | PS2 1675 | PS2 1875 | PS2 2075 | PS2 2475 | | |
| 32 1/4 [819] | 31 1/2 [800] | 27 15/16 [694] | PS2 1208 | PS2 1408 | PS2 1508 | PS2 1608 | PS2 1808 | PS2 2008 | PS2 2408 | | |
| 36 3/16 [919] | 35 7/16 [900] | 31 1/4 [794] | PS2 1209 | PS2 1409 | PS2 1509 | PS2 1609 | PS2 1809 | PS2 2009 | PS2 2409 | | |
| 40 1/8 [1019] | 39 3/8 [1000] | 35 3/16 [894] | PS2 1210 | PS2 1410 | PS2 1510 | PS2 1610 | PS2 1810 | PS2 2010 | PS2 2410 | | |
| 48 [1219] | 47 1/4 [1200] | 43 1/16 [1094] | PS2 1212 | PS2 1412 | PS2 1512 | PS2 1612 | PS2 1812 | PS2 2012 | PS2 2412 | | |
| 55 7/8 [1419] | 55 1/8 [1400] | 50 15/16 [1294] | PS2 1214 | PS2 1414 | PS2 1514 | PS2 1614 | PS2 1814 | PS2 2014 | PS2 2414 | | |
| 59 13/16 [1519] | 59 1/16 [1500] | 54 7/8 [1394] | PS2 1215 | PS2 1415 | PS2 1515 | PS2 1615 | PS2 1815 | PS2 2015 | PS2 2415 | | |
| 63 3/4 [1619] | 63 [1600] | 58 13/16 [1494] | PS2 1216 | PS2 1416 | PS2 1516 | PS2 1616 | PS2 1816 | PS2 2016 | PS2 2416 | | |
| 71 5/8 [1819] | 70 7/8 [1800] | 66 11/16 [1694] | PS2 1218 | PS2 1418 | PS2 1518 | PS2 1618 | PS2 1818 | PS2 2018 | PS2 2418 | | |
| 83 7/16 [2119] | 82 11/16 [2100] | 78 1/2 [1994] | PS2 1221 | PS2 1421 | PS2 1521 | PS2 1621 | PS2 1821 | PS2 2021 | PS2 2421 | | |

Height

Product Code

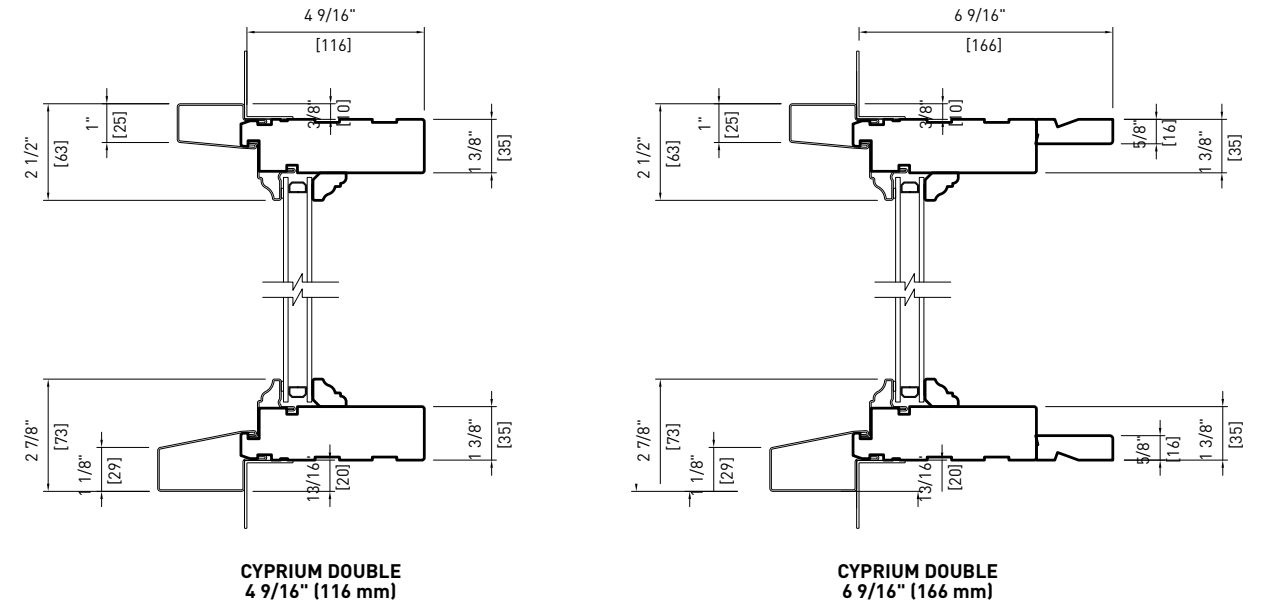
Glass Size = Visible Glass + 1 3/16" (30 mm)

Cyprimum Collection -
Windows - **Picture/Direct Set**

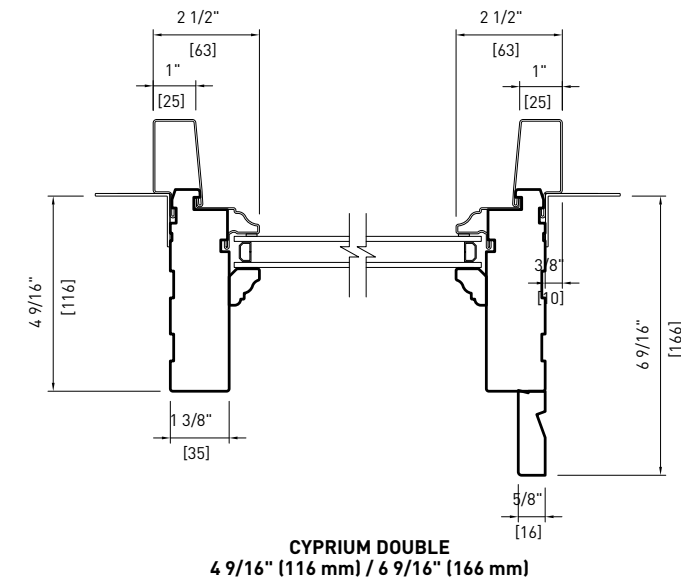
Size Charts

Picture/Direct Set

Head & Sill Detail



Plan View



Standard sizes Shown. Additional sizes may be available. Custom sizes can be ordered.

Note: • For Masonry opening information see page P19.

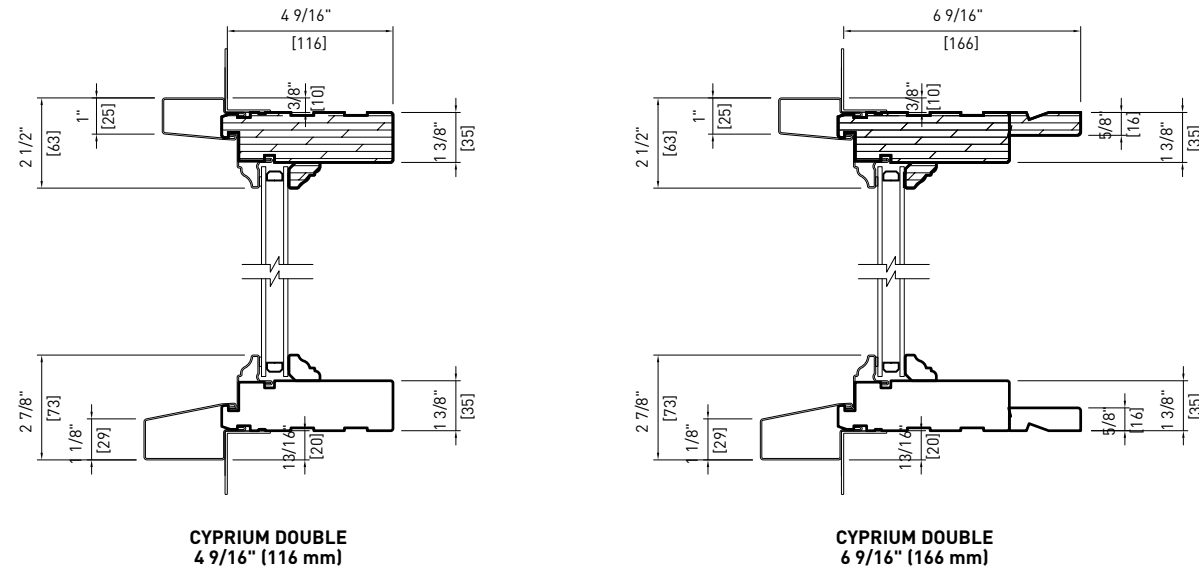
Note: • Other jamb widths available.
• All dimensions to have +/- 1/16" (2mm) tolerance.

Cyprimum Collection -
Windows - **Picture/Direct Set**

Drawings

Shaped Picture/Direct Set

Head & Sill
Detail

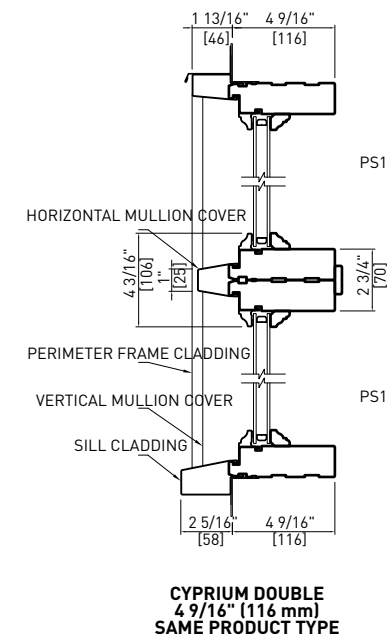


Cyprimum Collection -
Windows - **Picture/Direct Set**

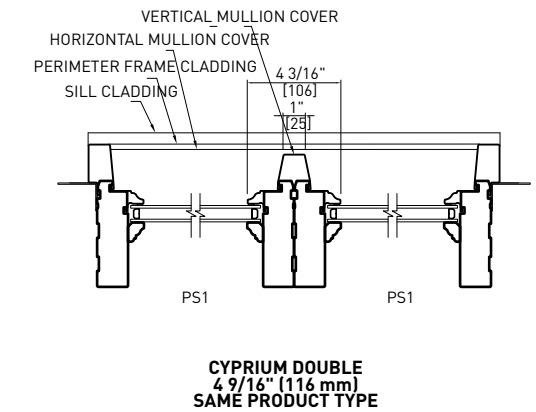
Drawings

Recessed Mullion Picture/Direct Set

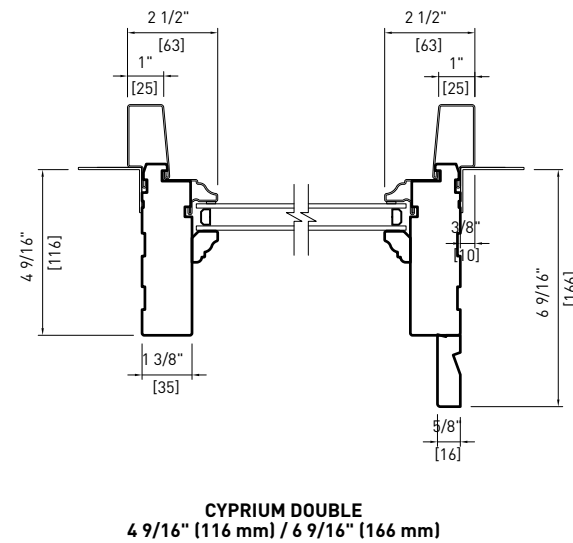
Head & Sill
Detail



Plan View

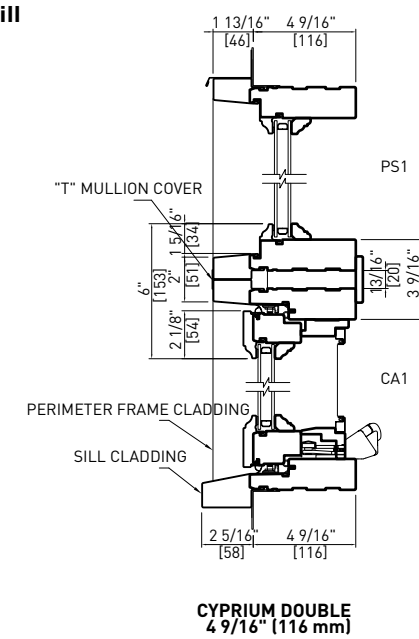


Plan View

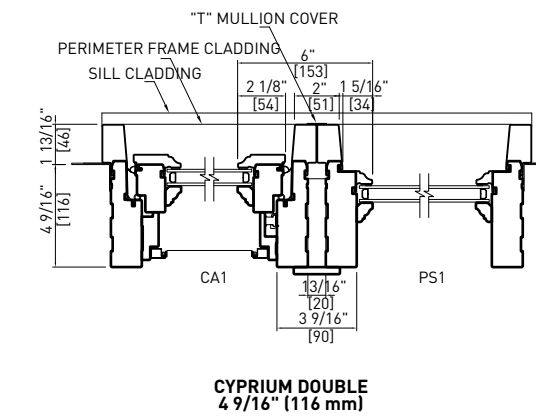


Cyprimum Picture/Direct Set "T" Mullion Window Detail with CA1

Head & Sill
Detail



Plan View



Note: • Other jamb widths available.
• All dimensions to have +/- 1/16" (2mm) tolerance.

Note: • Other jamb widths available.
• All dimensions to have +/- 1/16" (2mm) tolerance.

Cyprimum Collection -
Doors - **Terrace Door and Transom**

Size Charts

TDT1

| Rough Opening | | | | Width | | | | | | |
|-----------------------------------|-------------------|---------------|----------|-----------------------------------|-------------------|---------------|---------|--------|----------|--------|
| | | | | Inswing w/ Jamb Ext. ¹ | 25 | 31 7/8 | 35 1/82 | 37 3/4 | 41 11/16 | 45 1/4 |
| Inswing w/ Jamb Ext. ¹ | | | | R.O. ² | | | | | | |
| | | | | 18 7/16 | 24 3/8 | 31 1/4 | 34 1/2 | 37 1/8 | 41 1/16 | 44 5/8 |
| Frame | | | | 17 11/16 | 23 5/8 | 30 1/2 | 33 3/4 | 36 3/8 | 40 5/16 | 43 7/8 |
| Inswing w/ Jamb Ext. ¹ | R.O. ² | Visible Glass | 6 15/16 | 12 13/16 | 19 11/16 | 22 15/16 | 25 9/16 | 29 1/2 | 33 1/8 | |
| | | | | | Transom | | | | | |
| 16 5/8 | 16 5/16 | 15 3/4 | 9 1/2 | TDT1 | TDT1 | TDT1 | TDT1 | TDT1 | TDT1 | TDT1 |
| [422] | [415] | [400] | [241] | 0404 | 0604 | 0704 | 0804 | 0904 | 1004 | 1104 |
| 24 1/2 | 24 3/16 | 23 5/8 | 17 3/8 | TDT1 | TDT1 | TDT1 | TDT1 | TDT1 | TDT1 | TDT1 |
| [622] | [615] | [600] | [441] | 0406 | 0606 | 0706 | 0806 | 0906 | 1006 | 1106 |
| | | | | Venting | | Visible Glass | | | | |
| 80 3/8 | 80 1/8 | 79 1/2 | 63 11/16 | VTD1 [^] | VTD1 [^] | TD1 | TD1 | TD1 | TD1 | TD1 |
| [2042] | [2035] | [2020] | [1617] | 0420 | 0620 | 0720 | 0820 | 0920 | 1020 | 1120 |
| 82 3/16 | 81 7/8 | 81 5/16 | 65 7/16 | VTD1 [^] | VTD1 [^] | TD1 | TD1 | TD1 | TD1 | TD1 |
| [2087] | [2080] | [2065] | [1662] | 0421 | 0621 | 0721 | 0821 | 0921 | 1021 | 1121 |
| 86 7/8 | 86 9/16 | 86 | 70 1/8 | VTD1 [^] | VTD1 [^] | TD1 | TD1 | TD1 | TD1 | TD1 |
| [2206] | [2199] | [2184] | [1781] | 0470 | 0670 | 0770 | 0870 | 0970 | 1070 | 1170 |
| 95 3/8 | 95 1/16 | 94 1/2 | 78 5/8 | VTD1 [^] | VTD1 [^] | TD1 | TD1 | TD1 | TD1 | TD1 |
| [2422] | [2415] | [2400] | [1997] | 0424 | 0624 | 0724 | 0824 | 0924 | 1024 | 1124 |
| 98 1/4 | 98 | 97 3/8 | 81 3/4 | VTD1 [^] | VTD1 [^] | TD1 | TD1 | TD1 | TD1 | TD1 |
| [2496] | [2489] | [2474] | [2077] | 0480 | 0680 | 0780 | 0880 | 0980 | 1080 | 1180 |
| 99 15/16 | 99 5/8 | 99 1/16 | 83 3/16 | | | TD1 | TD1 | TD1 | | |
| [2538] | [2531] | [2516] | [2113] | | | 0725 | 0825 | 0925 | | |
| 107 3/16 | 106 7/8 | 106 5/16 | 90 7/16 | | | TD1 | TD1 | TD1 | | |
| [2722] | [2715] | [2700] | [2297] | | | 0727 | 0827 | 0927 | | |

Glass Size = Visible Glass + 1 3/16" (30 mm)

Cyprimum Collection -
Doors - **Terrace Door and Transom**

Size Charts

TDT2 (2 Wide)

| Rough Opening | | | | Width | | | | | | |
|-----------------------------------|-------------------|---------------|----------|-----------------------------------|----------|---------|----------|--------|--------|---------|
| | | | | Inswing w/ Jamb Ext. ¹ | 46 3/4 | 60 7/16 | 66 15/16 | 72 1/4 | 80 1/8 | 87 5/16 |
| Inswing w/ Jamb Ext. ¹ | | | | R.O. ² | | | | | | |
| | | | | 46 1/8 | 59 13/16 | 66 5/16 | 70 5/8 | 79 1/2 | 86 5/8 | |
| Frame | | | | 45 3/8 | 59 1/16 | 65 9/16 | 70 7/8 | 78 3/4 | 85 7/8 | |
| Inswing w/ Jamb Ext. ¹ | R.O. ² | Visible Glass | 12 13/16 | 19 11/16 | 22 15/16 | 25 9/16 | 29 1/2 | 33 1/8 | | |
| | | | | | Transom | | | | | |
| 16 5/8 | 16 5/16 | 15 3/4 | 9 1/2 | TDT2* | TDT2* | TDT2* | TDT2* | TDT2* | TDT2* | |
| [422] | [415] | [400] | [241] | 1204 | 1504 | 1604 | 1804 | 2004 | 2204 | |
| 24 1/2 | 24 3/16 | 23 5/8 | 17 3/8 | TDT2* | TDT2* | TDT2* | TDT2* | TDT2* | TDT2* | |
| [622] | [615] | [600] | [441] | 1206 | 1506 | 1606 | 1806 | 2006 | 2206 | |
| | | | | | Doors | | | | | |
| 80 3/8 | 80 1/8 | 79 1/2 | 63 11/16 | TD2 | TD2 | TD2 | TD2 | TD2 | TD2 | |
| [2042] | [2035] | [2020] | [1617] | 1220 | 1520 | 1620 | 1820 | 2020 | 2220 | |
| 82 3/16 | 81 7/8 | 81 5/16 | 65 7/16 | TD2 | TD2 | TD2 | TD2 | TD2 | TD2 | |
| [2087] | [2080] | [2065] | [1662] | 1221 | 1521 | 1621 | 1821 | 2021 | 2221 | |
| 86 7/8 | 86 9/16 | 86 | 70 1/8 | TD2 | TD2 | TD2 | TD2 | TD2 | TD2 | |
| [2206] | [2199] | [2184] | [1781] | 1270 | 1570 | 1670 | 1870 | 2070 | 2270 | |
| 95 3/8 | 95 1/16 | 94 1/2 | 78 5/8 | TD2 | TD2 | TD2 | TD2 | TD2 | TD2 | |
| [2422] | [2415] | [2400] | [1997] | 1224 | 1524 | 1624 | 1824 | 2024 | 2224 | |
| 98 1/4 | 98 | 97 3/8 | 81 3/4 | TD2 | TD2 | TD2 | TD2 | TD2 | TD2 | |
| [2496] | [2489] | [2474] | [2077] | 1280 | 1580 | 1680 | 1880 | 2080 | 2280 | |
| 99 15/16 | 99 5/8 | 99 1/16 | 83 3/16 | TD2 | TD2 | TD2 | TD2 | | | |
| [2538] | [2531] | [2516] | [2113] | 1225 | 1525 | 1625 | 1825 | | | |
| 107 3/16 | 106 7/8 | 106 5/16 | 90 7/16 | TD2 | TD2 | TD2 | TD2 | | | |
| [2722] | [2715] | [2700] | [2297] | 1227 | 1527 | 1627 | 1827 | | | |

Glass Size = Visible Glass + 1 3/16" (30 mm)

Standard sizes Shown. Additional sizes may be available. Custom sizes can be ordered.

Note: * SDL/Grille patterns are dependent on SDL/Grille type and window size. Please verify SDL/Grille patterns before confirming your order.

- * Transom units.
- ^ Venting or Fixed.
- 1 = Inswing doors with jamb extensions (other than 4 9/16" [116 mm] & 6 9/16" [166 mm] full jamb).
- 2 = Outswing doors (all) and inswing doors without jamb extensions (4 9/16" [116 mm] & 6 9/16" [166 mm] full jamb).

Standard sizes Shown. Additional sizes may be available. Custom sizes can be ordered.

Note: * SDL/Grille patterns are dependent on SDL/Grille type and window size. Please verify SDL/Grille patterns before confirming your order.

- * Transom units.
- ^ Venting or Fixed.
- 1 = Inswing doors with jamb extensions (other than 4 9/16" [116 mm] & 6 9/16" [166 mm] full jamb).
- 2 = Outswing doors (all) and inswing doors without jamb extensions (4 9/16" [116 mm] & 6 9/16" [166 mm] full jamb).

Cyprimum Collection -
Doors - **Camber Top Door and Transom**

Size Charts

CTTD1

| | | Width | | | | | | |
|-----------------------------------|-----------------------------------|-----------------|----------------|----------------|-----------------|---------------|--------------|------------|
| Rough Opening | Inswing w/ Jamb Ext. ¹ | 31 7/8 [809] | 35 1/8 [892] | 37 3/4 [959] | 41 11/16 [1059] | 45 1/4 [1150] | | |
| | R.O. ² | 31 1/4 [793] | 34 1/2 [876] | 37 1/8 [943] | 41 1/16 [1043] | 44 5/8 [1134] | | |
| | | Frame | | | | | | |
| | | 30 1/2 [774] | 33 3/4 [857] | 36 3/8 [924] | 40 5/16 [1024] | 43 7/8 [1115] | | |
| Inswing w/ Jamb Ext. ¹ | R.O. ² | Visible Glass | 19 11/16 [500] | 22 15/16 [583] | 25 9/16 [650] | 29 1/2 [750] | 33 1/8 [841] | |
| 80 3/8 [2042] | 80 1/8 [2035] | 79 1/2 [2020] | 63 3/4 [1619] | CTTD1 0720 | CTTD1 0820 | CTTD1 0920 | CTTD1 1020 | CTTD1 1120 |
| 82 3/16 [2087] | 81 7/8 [2080] | 81 5/16 [2065] | 65 9/16 [1664] | CTTD1 0721 | CTTD1 0821 | CTTD1 0921 | CTTD1 1021 | CTTD1 1121 |
| 86 7/8 [2206] | 86 9/16 [2199] | 86 [2184] | 70 3/16 [1783] | CTTD1 0770 | CTTD1 0870 | CTTD1 0970 | CTTD1 1070 | CTTD1 1170 |
| 95 3/8 [2422] | 95 1/16 [2415] | 94 1/2 [2400] | 78 3/4 [1999] | CTTD1 0724 | CTTD1 0824 | CTTD1 0924 | CTTD1 1024 | CTTD1 1124 |
| 98 1/4 [2496] | 98 [2489] | 97 3/8 [2474] | 81 3/4 [2077] | CTTD1 0780 | CTTD1 0880 | CTTD1 0980 | CTTD1 1080 | CTTD1 1180 |
| 99 15/16 [2538] | 99 5/8 [2531] | 99 1/16 [2516] | 83 5/16 [2115] | CTTD1 0725 | CTTD1 0825 | CTTD1 0925 | / | |
| 107 3/16 [2722] | 106 7/8 [2715] | 106 5/16 [2700] | 90 9/16 [2299] | CTTD1 0727 | CTTD1 0827 | CTTD1 0927 | | |

Product Code

Glass Size = Visible Glass + 1 3/16" (30 mm)

Standard sizes Shown. Additional sizes may be available. Custom sizes can be ordered.

Note: • SDL/Grille patterns are dependent on SDL/Grille type and window size. Please verify SDL/Grille patterns before confirming your order.
• 59 1/16" (1500 mm) radius

1 = Inswing doors with jamb extensions (other than 4 9/16" [116 mm] & 6 9/16" [166 mm] full jamb).
2 = Outswing doors (all) and inswing doors without jamb extensions (4 9/16" [116 mm] & 6 9/16" [166 mm] full jamb).

Cyprimum Collection -
Doors - **Camber Top Door and Transom**

Size Charts

CTTD2 (2 Wide)

| | | Width | | | | | | |
|-----------------------------------|-----------------------------------|-----------------|-----------------|----------------|---------------|----------------|--------------|------------|
| Rough Opening | Inswing w/ Jamb Ext. ¹ | 60 7/16 [1535] | 66 15/16 [1701] | 72 1/4 [1835] | 80 1/8 [2035] | 87 5/16 [2217] | | |
| | R.O. ² | 59 13/16 [1519] | 66 5/16 [1685] | 70 5/8 [1819] | 79 1/2 [2019] | 86 5/8 [2201] | | |
| | | Frame | | | | | | |
| | | 59 1/16 [1500] | 65 9/16 [1666] | 70 7/8 [1800] | 78 3/4 [2000] | 85 7/8 [2182] | | |
| Inswing w/ Jamb Ext. ¹ | R.O. ² | Visible Glass | 19 11/16 [500] | 22 15/16 [583] | 25 9/16 [650] | 29 1/2 [750] | 33 1/8 [841] | |
| 80 3/8 [2042] | 80 1/8 [2035] | 79 1/2 [2020] | 63 11/16 [1617] | CTTD2 1520 | CTTD2 1620 | CTTD2 1820 | CTTD2 2020 | CTTD2 2220 |
| 82 3/16 [2087] | 81 7/8 [2080] | 81 5/16 [2065] | 65 7/16 [1662] | CTTD2 1521 | CTTD2 1621 | CTTD2 1821 | CTTD2 2021 | CTTD2 2221 |
| 86 7/8 [2206] | 86 9/16 [2199] | 86 [2184] | 70 1/8 [1781] | CTTD2 1570 | CTTD2 1670 | CTTD2 1870 | CTTD2 2070 | CTTD2 2270 |
| 95 3/8 [2422] | 95 1/16 [2415] | 94 1/2 [2400] | 78 5/8 [1997] | CTTD2 1524 | CTTD2 1624 | CTTD2 1824 | CTTD2 2024 | CTTD2 2224 |
| 98 1/4 [2496] | 98 [2489] | 97 3/8 [2474] | 81 3/4 [2077] | CTTD2 1580 | CTTD2 1680 | CTTD2 1880 | CTTD2 2080 | CTTD2 2280 |
| 99 15/16 [2538] | 99 5/8 [2531] | 99 1/16 [2516] | 83 3/16 [2113] | CTTD2 1525 | CTTD2 1625 | CTTD2 1825 | / | |
| 107 3/16 [2722] | 106 7/8 [2715] | 106 5/16 [2700] | 90 7/16 [2297] | CTTD2 1527 | CTTD 21627 | CTTD2 1827 | | |

Product Code

Glass Size = Visible Glass + 1 3/16" (30 mm)

Standard sizes Shown. Additional sizes may be available. Custom sizes can be ordered.

Note: • SDL/Grille patterns are dependent on SDL/Grille type and window size. Please verify SDL/Grille patterns before confirming your order.
• 96 7/16" (2450 mm) radius

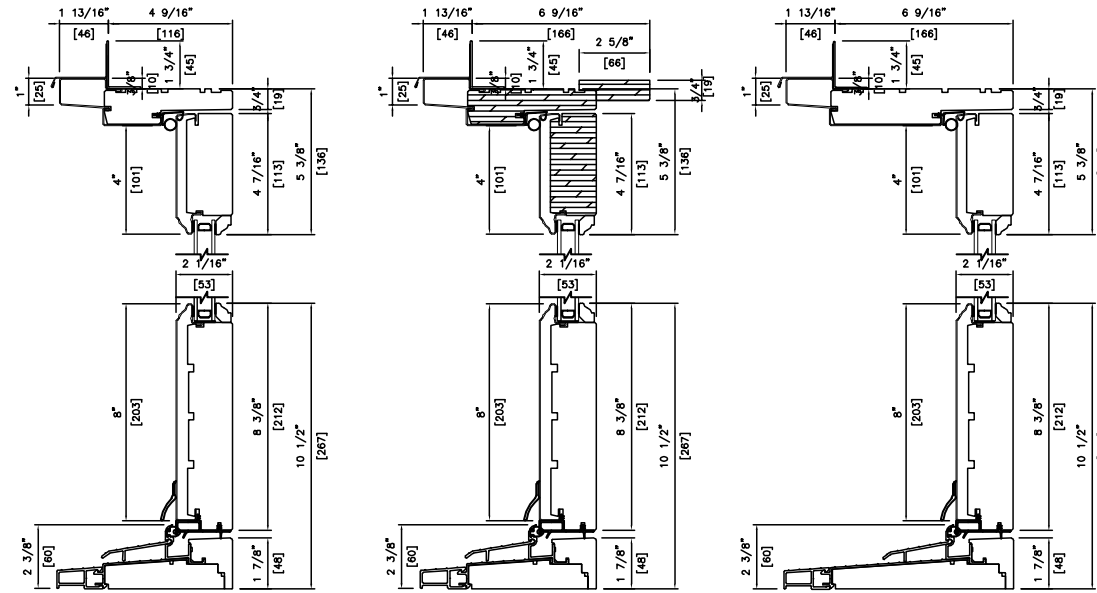
1 = Inswing doors with jamb extensions (other than 4 9/16" [116 mm] & 6 9/16" [166 mm] full jamb).
2 = Outswing doors (all) and inswing doors without jamb extensions (4 9/16" [116 mm] & 6 9/16" [166 mm] full jamb).

Cyprimum Collection -
Doors - **Terrace Door**

Drawings

Inswing

**Head & Sill
Detail**



CYPRIMUM DOUBLE
4 9/16" (116mm)

CYPRIMUM DOUBLE
6 9/16" (166mm)

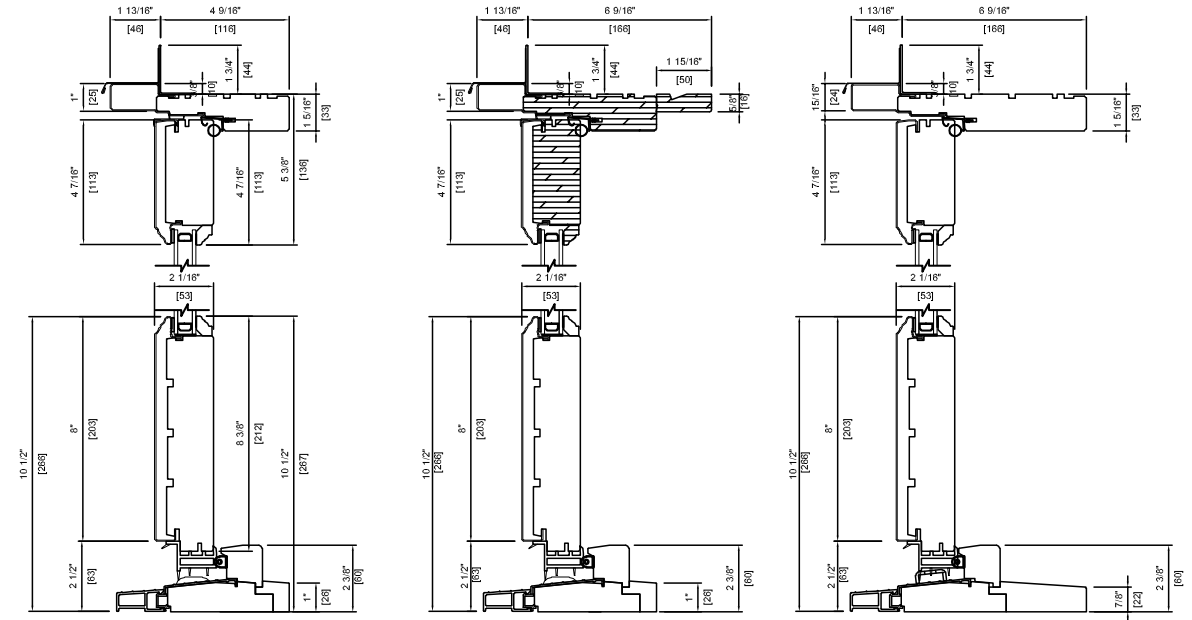
CYPRIMUM DOUBLE
6 9/16" (166mm) FULL JAMB

Cyprimum Collection -
Doors - **Terrace Door**

Drawings

Outswing

**Head & Sill
Detail**

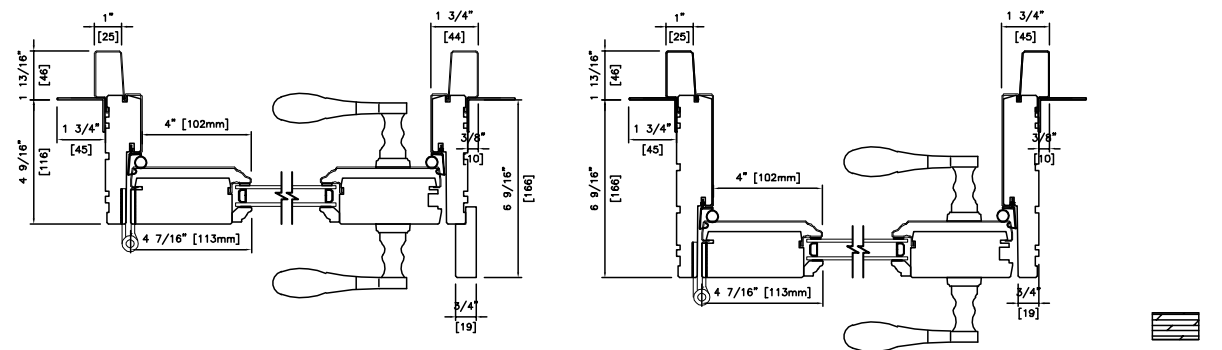


CYPRIMUM DOUBLE
4 9/16" (116mm)

CYPRIMUM DOUBLE
6 9/16" (166mm)

CYPRIMUM DOUBLE
6 9/16" (166mm) FULL JAMB

Plan View

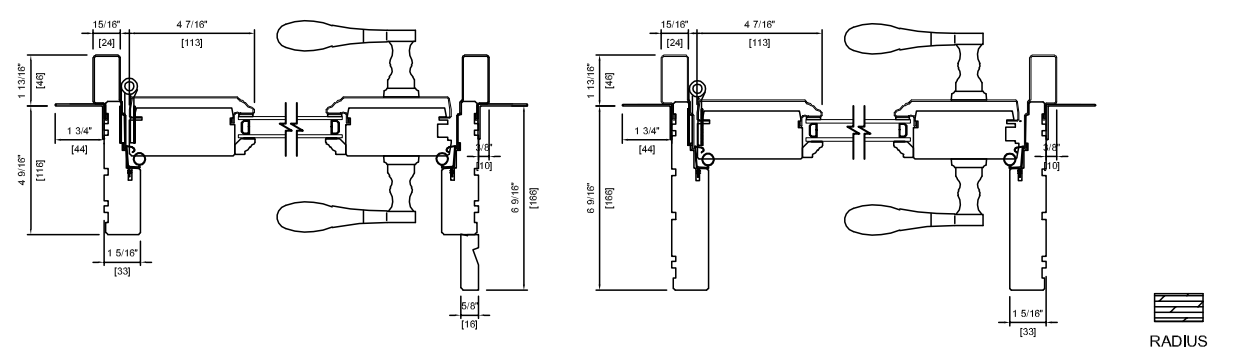


CYPRIMUM DOUBLE
ONE PANEL
4 9/16" (116mm) / 6 9/16" (166mm)

CYPRIMUM DOUBLE
ONE PANEL
6 9/16" (166mm)

 **RADIUS COMPONENT**

Plan View



CYPRIMUM DOUBLE
ONE PANEL
4 9/16" (116mm) / 6 9/16" (166mm)

CYPRIMUM DOUBLE
ONE PANEL
6 9/16" (166mm)

 **RADIUS COMPONENT**

Note:

- Other jamb widths available.
- All dimensions to have +/- 1/16" (2mm) tolerance.

Note:

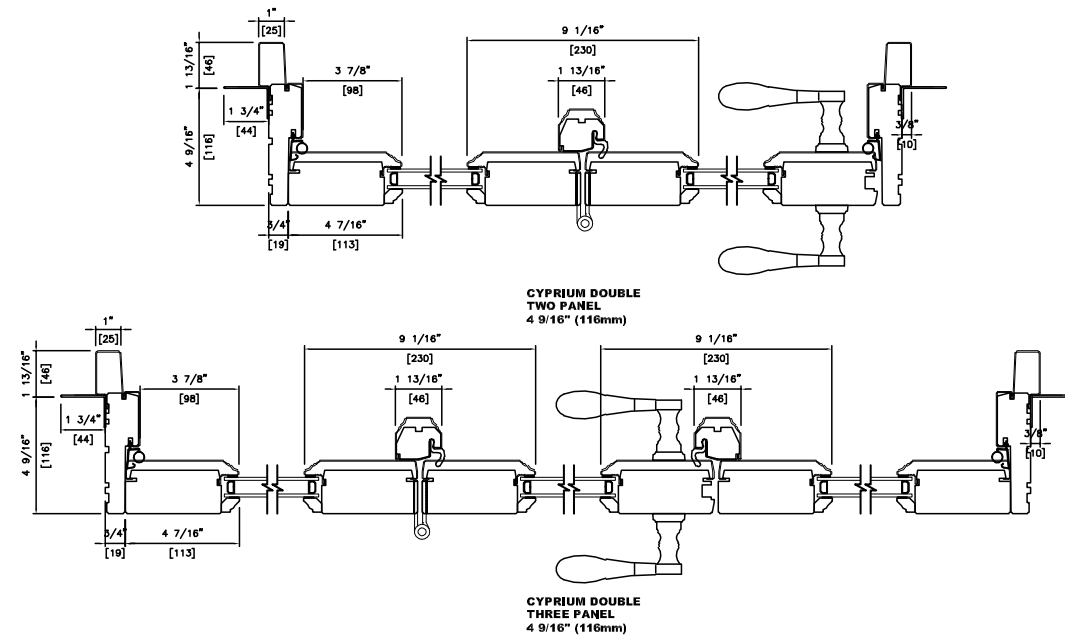
- Other jamb widths available.
- All dimensions to have +/- 1/16" (2mm) tolerance.

Cyprum Collection -
Doors - **Terrace Door**

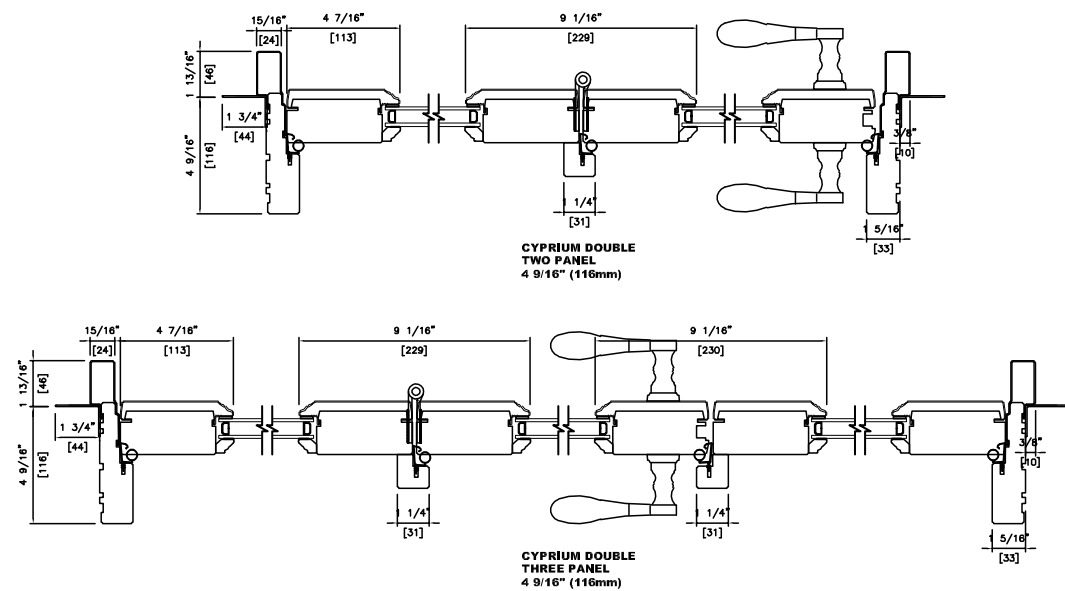
Drawings

Inswing & Outswing

Plan View



Plan View



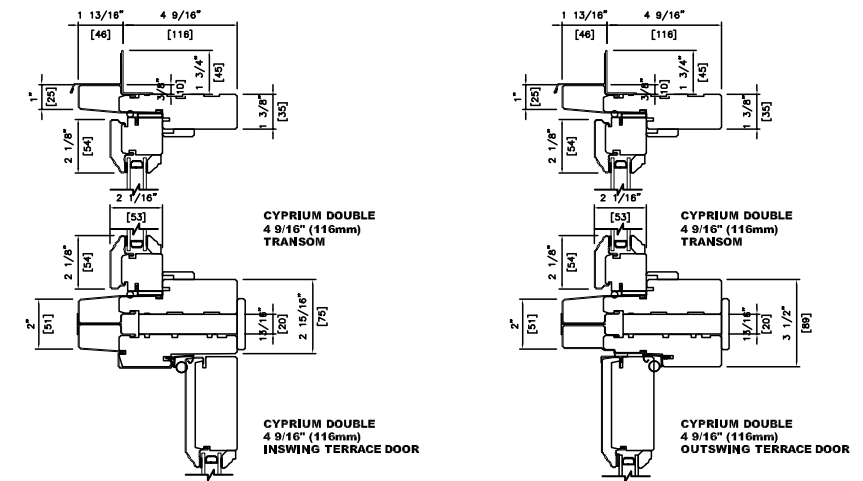
Note: • Other jamb widths available.
• All dimensions to have +/- 1/16" (2mm) tolerance.

Cyprum Collection -
Doors - **Terrace Door**

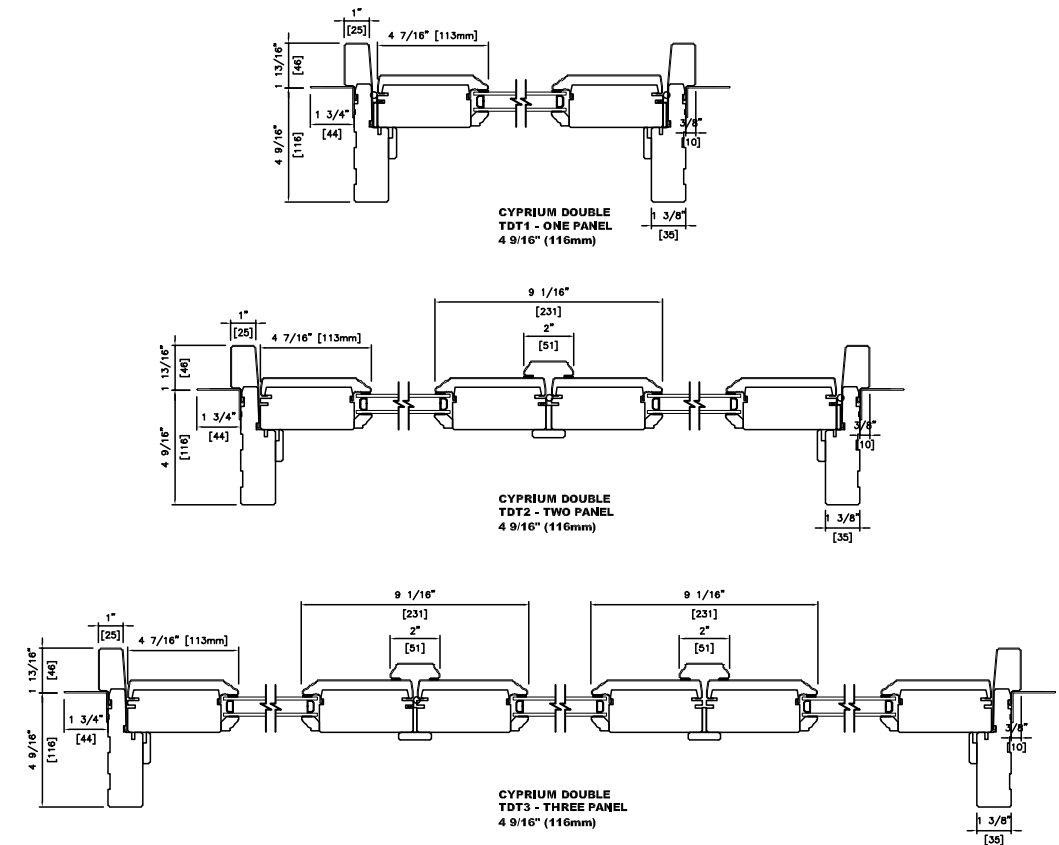
Drawings

Transom

Head & Sill Detail



Plan View



Note: • Other jamb widths available.
• All dimensions to have +/- 1/16" (2mm) tolerance.

Cyprimum Collection -
Doors - **French Terrace Door and Transom**

Size Charts

FDT2 (2 Wide)

Width

| Rough Opening | | | | Inswing w/ Jamb Ext. ¹ | | 47 7/8 [1216] | 61 9/16 [1564] | 68 1/8 [1730] | 73 3/8 [1864] | 81 1/4 [2064] | 88 7/16 [2246] | | |
|-----------------------------------|----------------|-----------------|-----------------|-----------------------------------|------------|---------------|-----------------|---------------|---------------|---------------|-----------------|----------------|----------------|
| | | | | R.O. ² | | 47 1/4 [1200] | 60 15/16 [1548] | 67 1/2 [1714] | 72 3/4 [1848] | 80 5/8 [2048] | 87 13/16 [2230] | | |
| Inswing w/ Jamb Ext. ¹ | | | | R.O. ² | | Frame | | Visible Glass | | | | | |
| | | | | R.O. ² | | 46 1/2 [1181] | 60 3/16 [1529] | 66 3/4 [1695] | 72 [1829] | 79 7/8 [2029] | 87 1/16 [2211] | 12 13/16 [326] | 19 11/16 [500] |
| Transom | | | | | | | | | | | | | |
| 16 5/8 [422] | 16 5/16 [415] | 15 3/4 [400] | 9 1/2 [241] | FDT2* 1204 | FDT2* 1504 | FDT2* 1604 | FDT2* 1804 | FDT2* 2004 | FDT2* 2204 | | | | |
| 24 1/2 [622] | 24 3/16 [615] | 23 5/8 [600] | 17 3/8 [441] | FDT2* 1206 | FDT2* 1506 | FDT2* 1606 | FDT2* 1806 | FDT2* 2006 | FDT2* 2206 | | | | |
| Doors | | | | | | | | | | | | | |
| 80 3/8 [2042] | 80 1/8 [2035] | 79 1/2 [2020] | 63 11/16 [1617] | FD2 1220 | FD2 1520 | FD2 1620 | FD2 1820 | FD2 2020 | FD2 2220 | | | | |
| 82 3/16 [2087] | 81 7/8 [2080] | 81 5/16 [2065] | 65 7/16 [1662] | FD2 1221 | FD2 1521 | FD2 1621 | FD2 1821 | FD2 2021 | FD2 2221 | | | | |
| 86 7/8 [2206] | 86 9/16 [2199] | 86 [2184] | 70 1/8 [1781] | FD2 1270 | FD2 1570 | FD2 1670 | FD2 1870 | FD2 2070 | FD2 2270 | | | | |
| 95 3/8 [2422] | 95 1/16 [2415] | 94 1/2 [2400] | 78 5/8 [1997] | FD2 1224 | FD2 1524 | FD2 1624 | FD2 1824 | FD2 2024 | FD2 2224 | | | | |
| 98 1/4 [2496] | 98 [2489] | 97 3/8 [2474] | 81 3/4 [2077] | FD2 1280 | FD2 1580 | FD2 1680 | FD2 1880 | FD2 2080 | FD2 2280 | | | | |
| 99 15/16 [2538] | 99 5/8 [2531] | 99 1/16 [2516] | 83 3/16 [2113] | FD2 1225 | FD2 1525 | FD2 1625 | FD2 1825 | | | | | | |
| 107 3/16 [2722] | 106 7/8 [2715] | 106 5/16 [2700] | 90 7/16 [2297] | FD2 1227 | FD2 1527 | FD2 1627 | FD2 1827 | | | | | | |

Product Code

Glass Size = Visible Glass + 1 3/16" (30 mm)

Height

Cyprimum Collection -
Doors - **French Terrace Door and Transom**

Size Charts

FDT4 (4 Wide)

Width

| Rough Opening | | | | Inswing w/ Jamb Ext. ¹ | | 91 5/16 [2320] | 118 3/4 [3016] | 131 13/16 [3348] | 142 3/8 [3616] | 158 1/8 [4016] | 172 7/16 [4380] | | |
|-----------------------------------|----------------|-----------------|-----------------|-----------------------------------|------------|-----------------|----------------|------------------|----------------|----------------|------------------|----------------|----------------|
| | | | | R.O. ² | | 90 11/16 [2304] | 118 1/8 [3000] | 131 3/16 [3332] | 141 3/4 [3600] | 157 1/2 [4000] | 171 13/16 [4364] | | |
| Inswing w/ Jamb Ext. ¹ | | | | R.O. ² | | Frame | | Visible Glass | | | | | |
| | | | | R.O. ² | | 89 15/16 [2285] | 117 3/8 [2981] | 130 7/16 [3313] | 141 [3581] | 156 3/4 [3981] | 171 1/16 [4345] | 12 13/16 [326] | 19 11/16 [500] |
| Transom | | | | | | | | | | | | | |
| 16 5/8 [422] | 16 5/16 [415] | 15 3/4 [400] | 9 1/2 [241] | FDT4* 2304 | FDT4* 3004 | FDT4* 3304 | FDT4* 3604 | FDT4* 4004 | FDT4* 4304 | | | | |
| 24 1/2 [622] | 24 3/16 [615] | 23 5/8 [600] | 17 3/8 [441] | FDT4* 2306 | FDT4* 3006 | FDT4* 3306 | FDT4* 3606 | FDT4* 4006 | FDT4* 4306 | | | | |
| Doors | | | | | | | | | | | | | |
| 80 3/8 [2042] | 80 1/8 [2035] | 79 1/2 [2020] | 63 11/16 [1617] | FD4 2320 | FD4 3020 | FD4 3320 | FD4 3620 | FD4 4020 | FD4 4320 | | | | |
| 82 3/16 [2087] | 81 7/8 [2080] | 81 5/16 [2065] | 65 7/16 [1662] | FD4 2321 | FD4 3021 | FD4 3321 | FD4 3621 | FD4 4021 | FD4 4321 | | | | |
| 86 7/8 [2206] | 86 9/16 [2199] | 86 [2184] | 70 1/8 [1781] | FD4 2370 | FD4 3070 | FD4 3370 | FD4 3670 | FD4 4070 | FD4 4370 | | | | |
| 95 3/8 [2422] | 95 1/16 [2415] | 94 1/2 [2400] | 78 5/8 [1997] | FD4 2324 | FD4 3024 | FD4 3324 | FD4 3624 | FD4 4024 | FD4 4324 | | | | |
| 98 1/4 [2496] | 98 [2489] | 97 3/8 [2474] | 81 3/4 [2077] | FD4 2380 | FD4 3080 | FD4 3380 | FD4 3680 | FD4 4080 | FD4 4380 | | | | |
| 99 15/16 [2538] | 99 5/8 [2531] | 99 1/16 [2516] | 83 3/16 [2113] | FD4 2325 | FD4 3025 | FD4 3325 | FD4 3625 | | | | | | |
| 107 3/16 [2722] | 106 7/8 [2715] | 106 5/16 [2700] | 90 7/16 [2297] | FD4 2327 | FD4 3027 | FD4 3327 | FD4 3627 | | | | | | |

Product Code

Glass Size = Visible Glass + 1 3/16" (30 mm)

Height

Standard sizes Shown. Additional sizes may be available. Custom sizes can be ordered.

Note: • SDL/Grille patterns are dependent on SDL/Grille type and window size. Please verify SDL/Grille patterns before confirming your order.

- * Transom units.
- 1 = Inswing doors with jamb extensions (other than 4 9/16" [116 mm] & 6 9/16" [166 mm] full jamb).
- 2 = Outswing doors (all) and inswing doors without jamb extensions (4 9/16" [116 mm] & 6 9/16" [166 mm] full jamb).

Standard sizes Shown. Additional sizes may be available. Custom sizes can be ordered.

Note: • SDL/Grille patterns are dependent on SDL/Grille type and window size. Please verify SDL/Grille patterns before confirming your order.

- * Transom units.
- 1 = Inswing doors with jamb extensions (other than 4 9/16" [116 mm] & 6 9/16" [166 mm] full jamb).
- 2 = Outswing doors (all) and inswing doors without jamb extensions (4 9/16" [116 mm] & 6 9/16" [166 mm] full jamb).

Cyprimum Collection -
Doors - **Camber Top French Terrace Door**

Size Charts

CTFD2 (2 Wide)

Width

| Rough Opening | | Inswing w/ Jamb Ext. ¹ | | | | | | | |
|-----------------------------------|-------------------|-----------------------------------|----------------|----------------|----------------|----------------|---------------|---------------|----------------|
| | | R.O. ² | | 47 7/8 [1216] | 61 9/16 [1564] | 68 1/8 [1730] | 73 3/8 [1864] | 81 1/4 [2064] | 88 7/16 [2246] |
| | | Frame | | 46 1/2 [1181] | 60 3/16 [1529] | 66 3/4 [1695] | 72 [1829] | 79 7/8 [2029] | 87 1/16 [2211] |
| Inswing w/ Jamb Ext. ¹ | R.O. ² | | Visible Glass | 12 13/16 [326] | 19 11/16 [500] | 22 15/16 [583] | 25 9/16 [650] | 29 1/2 [750] | 33 1/8 [841] |
| 80 3/8 [2042] | 80 1/8 [2035] | 79 1/2 [2020] | 63 5/8 [1616] | CTFD2 1220 | CTFD2 1520 | CTFD2 1620 | CTFD2 1820 | CTFD2 2020 | CTFD2 2220 |
| 82 3/16 [2087] | 81 7/8 [2080] | 81 5/16 [2065] | 65 5/8 [1661] | CTFD2 1221 | CTFD2 1521 | CTFD2 1621 | CTFD2 1821 | CTFD2 2021 | CTFD2 2221 |
| 86 7/8 [2206] | 86 9/16 [2199] | 86 [2184] | 70 1/16 [1780] | CTFD2 1270 | CTFD2 1570 | CTFD2 1670 | CTFD2 1870 | CTFD2 2070 | CTFD2 2270 |
| 95 3/8 [2422] | 95 1/16 [2415] | 94 1/2 [2400] | 78 9/16 [1996] | CTFD2 1224 | CTFD2 1524 | CTFD2 1624 | CTFD2 1824 | CTFD2 2024 | CTFD2 2224 |
| 98 1/4 [2496] | 98 [2489] | 97 3/8 [2474] | 81 3/4 [2077] | CTFD2 1280 | CTFD2 1580 | CTFD2 1680 | CTFD2 1880 | CTFD2 2080 | CTFD2 2280 |
| 99 15/16 [2538] | 99 5/8 [2531] | 99 1/16 [2516] | 83 1/8 [2112] | CTFD2 1225 | CTFD2 1525 | CTFD2 1625 | CTFD2 1825 | | |
| 107 3/16 [2722] | 106 7/8 [2715] | 106 5/16 [2700] | 90 3/8 [2296] | CTFD2 1227 | CTFD2 1527 | CTFD2 1627 | CTFD2 1827 | | |

Product Code

Glass Size = Visible Glass + 1 3/16" (30 mm)

Standard sizes Shown. Additional sizes may be available. Custom sizes can be ordered.

Note: • SDL/Grille patterns are dependent on SDL/Grille type and window size. Please verify SDL/Grille patterns before confirming your order.
• 59 1/16" (1500 mm) radius

1 = Inswing doors with jamb extensions (other than 4 9/16" [116 mm] & 6 9/16" [166 mm] full jamb).
2 = Outswing doors (all) and inswing doors without jamb extensions (4 9/16" [116 mm] & 6 9/16" [166 mm] full jamb).

Cyprimum Collection -
Doors - **Camber Top French Terrace Door**

Size Charts

CTFD4 (4 Wide)

Width

| Rough Opening | | Inswing w/ Jamb Ext. ¹ | | | | | | | |
|-----------------------------------|-------------------|-----------------------------------|-----------------|-----------------|----------------|------------------|----------------|----------------|-----------------|
| | | R.O. ² | | 91 5/16 [2320] | 118 3/4 [3016] | 131 13/16 [3348] | 142 3/8 [3616] | 158 1/8 [4016] | 172 7/16 [4380] |
| | | Frame | | 89 15/16 [2285] | 117 3/8 [2981] | 130 7/16 [3313] | 141 [3581] | 156 3/4 [3981] | 171 1/16 [4345] |
| Inswing w/ Jamb Ext. ¹ | R.O. ² | | Visible Glass | 12 13/16 [326] | 19 11/16 [500] | 22 15/16 [583] | 25 9/16 [650] | 29 1/2 [750] | 33 1/8 [841] |
| 80 3/8 [2042] | 80 1/8 [2035] | 79 1/2 [2020] | 63 11/16 [1618] | CTFD4 2320 | CTFD4 3020 | CTFD4 3320 | CTFD4 3620 | CTFD4 4020 | CTFD4 4320 |
| 82 3/16 [2087] | 81 7/8 [2080] | 81 5/16 [2065] | 65 7/16 [1663] | CTFD4 2321 | CTFD4 3021 | CTFD4 3321 | CTFD4 3621 | CTFD4 4021 | CTFD4 4321 |
| 86 7/8 [2206] | 86 9/16 [2199] | 86 [2184] | 70 1/8 [1782] | CTFD4 2370 | CTFD4 3070 | CTFD4 3370 | CTFD4 3670 | CTFD4 4070 | CTFD4 4370 |
| 95 3/8 [2422] | 95 1/16 [2415] | 94 1/2 [2400] | 78 11/16 [1998] | CTFD4 2324 | CTFD4 3024 | CTFD4 3324 | CTFD4 3624 | CTFD4 4024 | CTFD4 4324 |
| 98 1/4 [2496] | 98 [2489] | 97 3/8 [2474] | 81 3/4 [2077] | CTFD4 2380 | CTFD4 3080 | CTFD4 3380 | CTFD4 3680 | CTFD4 4080 | CTFD4 4380 |
| 99 15/16 [2538] | 99 5/8 [2531] | 99 1/16 [2516] | 83 1/4 [2114] | CTFD4 2325 | CTFD4 3025 | CTFD4 3325 | CTFD4 3625 | | |
| 107 3/16 [2722] | 106 7/8 [2715] | 106 5/16 [2700] | 90 7/16 [2298] | CTFD4 2327 | CTFD4 3027 | CTFD4 3327 | CTFD4 3627 | | |

Product Code

Glass Size = Visible Glass + 1 3/16" (30 mm)

Standard sizes Shown. Additional sizes may be available. Custom sizes can be ordered.

Note: • SDL/Grille patterns are dependent on SDL/Grille type and window size. Please verify SDL/Grille patterns before confirming your order.
• 96 7/16" (2450 mm) radius

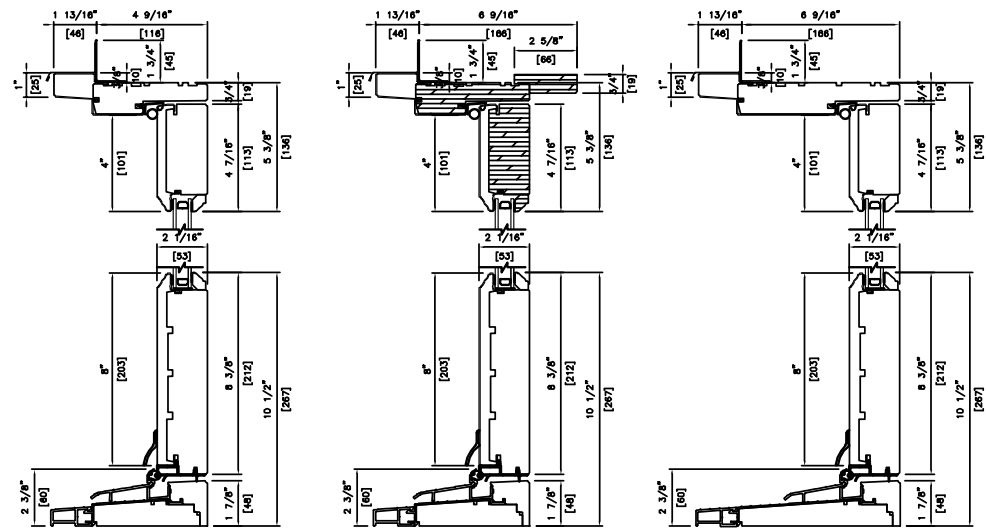
1 = Inswing doors with jamb extensions (other than 4 9/16" [116 mm] & 6 9/16" [166 mm] full jamb).
2 = Outswing doors (all) and inswing doors without jamb extensions (4 9/16" [116 mm] & 6 9/16" [166 mm] full jamb).

Cyprimum Collection -
Doors - **French Terrace Door**

Drawings

Inswing

Head & Sill Detail

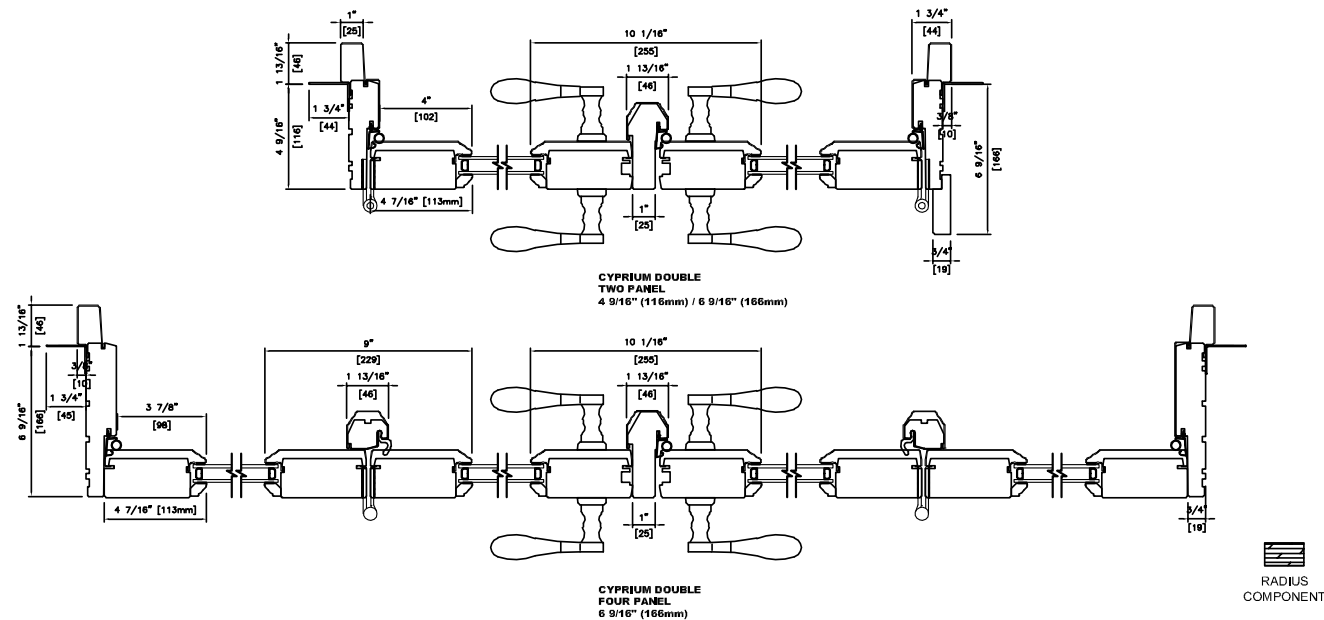


CYPRIMUM DOUBLE
4 9/16" (116mm)

CYPRIMUM DOUBLE
6 9/16" (166mm)

CYPRIMUM DOUBLE
6 9/16" (166mm) FULL JAMB

Plan View



CYPRIMUM DOUBLE
TWO PANEL
4 9/16" (116mm) / 6 9/16" (166mm)

CYPRIMUM DOUBLE
FOUR PANEL
6 9/16" (166mm)

RADIUS COMPONENT

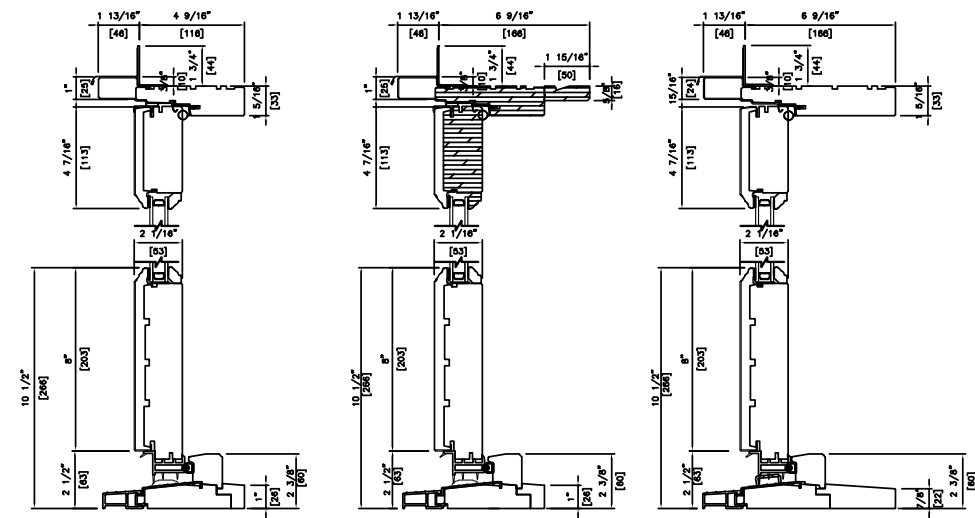
Note: • Other jamb widths available.
• All dimensions to have +/- 1/16" (2mm) tolerance.

Cyprimum Collection -
Doors - **French Terrace Door**

Drawings

Outswing

Head & Sill Detail

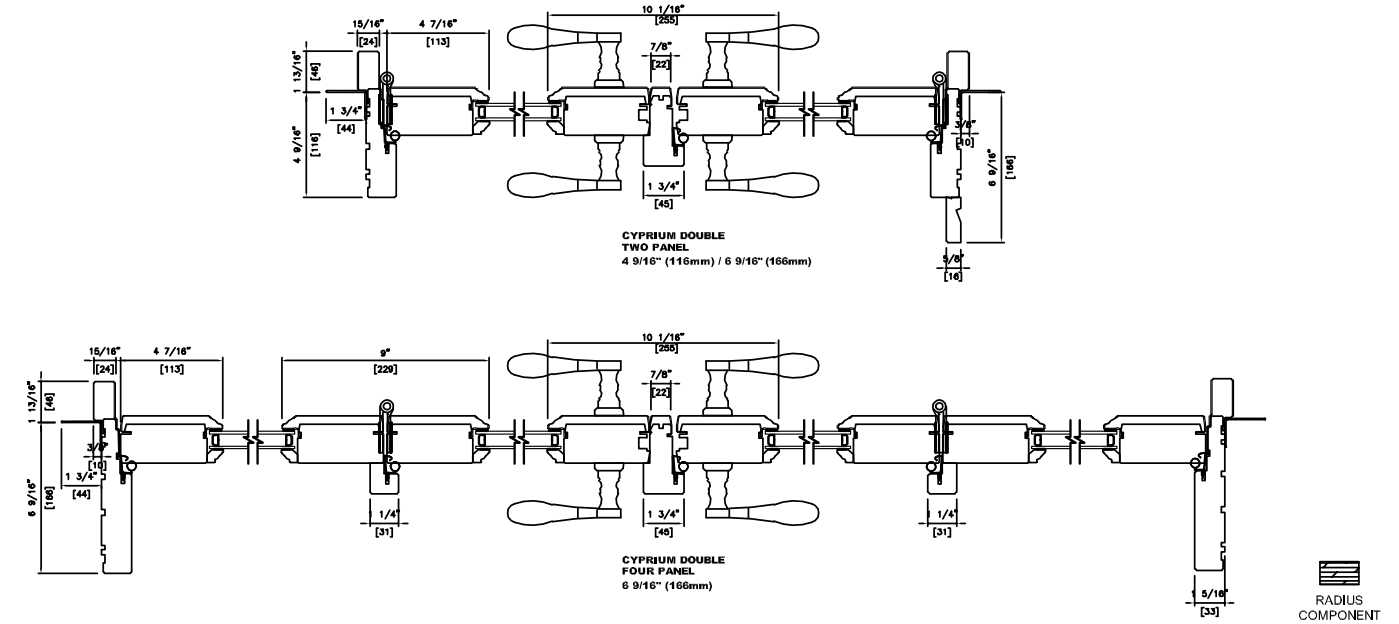


CYPRIMUM DOUBLE
4 9/16" (116mm)

CYPRIMUM DOUBLE
6 9/16" (166mm)

CYPRIMUM DOUBLE
6 9/16" (166mm) FULL JAMB

Plan View



CYPRIMUM DOUBLE
TWO PANEL
4 9/16" (116mm) / 6 9/16" (166mm)

CYPRIMUM DOUBLE
FOUR PANEL
6 9/16" (166mm)

RADIUS COMPONENT

Note: • Other jamb widths available.
• All dimensions to have +/- 1/16" (2mm) tolerance.

Cyprimum Collection -
Doors - **LiftSlide Door**

Size Charts

LiftSlide Door

| Panels | Configuration | Style | Frame Type | Rough Opening (3' Panels) | Head Width (3' Panels, No Screens) | Finish Pocket Width | Rough Opening (4' Panels) | Head Width (4' Panels, No Screens) | Finish Pocket Width |
|--------|--------------------|------------|---------------|---------------------------|------------------------------------|---------------------|---------------------------|------------------------------------|---------------------|
| 2 | OX or XO | Stacking | Jamb | 73 [1854] | 10 3/8 [264] | - | 97 [2464] | 10 3/8 [264] | - |
| 3 | OXX or XXO | Stacking | Jamb | 106 [2692] | 14 1/4 [362] | - | 142 [3607] | 14 1/4 [362] | - |
| 4 | OXXX or XXXO | Stacking | Jamb | 139 [3531] | 18 1/16 [459] | - | 187 [4750] | 18 1/16 [459] | - |
| 5 | OXXXX or XXXXO | Stacking | Jamb | 172 [4369] | 21 15/16 [557] | - | 232 [5893] | 21 15/16 [557] | - |
| 6 | OXXXXX or XXXXO | Stacking | Jamb | 205 [5207] | 25 3/4 [654] | - | 277 [7036] | 25 3/4 [654] | - |
| 4 | OX-XO | Bi-Parting | Jamb | 142 3/16 [3612] | 10 3/8 [264] | - | 190 3/16 [4831] | 10 3/8 [264] | - |
| 6 | OXX-XXO | Bi-Parting | Jamb | 208 3/16 [5288] | 14 1/4 [362] | - | 280 3/16 [7117] | 14 1/4 [362] | - |
| 8 | OXXX-XXXO | Bi-Parting | Jamb | 274 3/16 [6964] | 18 1/16 [459] | - | 370 3/16 [9403] | 18 1/16 [459] | - |
| 10 | OXXXX-XXXXO | Bi-Parting | Jamb | 340 3/16 [8641] | 21 15/16 [557] | - | 460 3/16 [11689] | 21 15/16 [557] | - |
| 12 | OXXXXX-XXXXXO | Bi-Parting | Jamb | 406 3/16 [10317] | 25 3/4 [654] | - | 550 3/16 [13975] | 25 3/4 [654] | - |
| 1 | PX or XP | Stacking | Single pocket | 39 11/16 [1008] | 11 1/16 [280] | 7 1/16 [179] | 51 11/16 [1313] | 11 1/16 [280] | 7 1/16 [179] |
| 2 | PXX or XXP | Stacking | Single pocket | 72 11/16 [1846] | 12 5/8 [321] | 9 5/8 [245] | 96 11/16 [2456] | 12 5/8 [321] | 9 5/8 [245] |
| 3 | PXXX or XXXP | Stacking | Single pocket | 105 11/16 [2684] | 16 1/2 [419] | 13 7/16 [342] | 141 11/16 [3599] | 16 1/2 [419] | 13 7/16 [342] |
| 4 | PXXXX or XXXXP | Stacking | Single pocket | 138 11/16 [3523] | 20 5/16 [516] | 17 5/16 [440] | 186 11/16 [4742] | 20 5/16 [516] | 17 5/16 [440] |
| 5 | PXXXXX or XXXXXP | Stacking | Single pocket | 171 11/16 [4361] | 24 3/16 [614] | 21 13/16 [538] | 231 11/16 [5885] | 24 3/16 [614] | 21 13/16 [538] |
| 6 | PXXXXXX or XXXXXXP | Stacking | Single pocket | 204 11/16 [5199] | 28 1/16 [712] | 24 7/8 [631] | 276 11/16 [7028] | 28 1/16 [712] | 24 7/8 [631] |
| 2 | PX-XP | Bi-Parting | Dual pocket | 75 1/2 [1918] | - | 7 1/16 [179] | 99 1/2 [2527] | - | 7 1/16 [179] |
| 4 | PXX-XXP | Bi-Parting | Dual pocket | 141 1/2 [3594] | - | 9 5/8 [245] | 189 1/2 [4813] | - | 9 5/8 [245] |
| 4 | PXXX-XXXP | Bi-Parting | Dual pocket | 207 1/2 [5271] | - | 13 7/16 [342] | 279 1/2 [7099] | - | 13 7/16 [342] |
| 6 | PXXXX-XXXXP | Bi-Parting | Dual pocket | 273 1/2 [6947] | - | 17 5/16 [440] | 369 1/2 [9385] | - | 17 5/16 [440] |
| 10 | PXXXXX-XXXXXP | Bi-Parting | Dual pocket | 339 1/2 [8623] | - | 21 13/16 [538] | 459 1/2 [11671] | - | 21 13/16 [538] |
| 12 | PXXXXXX-XXXXXXP | Bi-Parting | Dual pocket | 405 1/2 [10300] | - | 24 7/8 [631] | 549 1/2 [13957] | - | 24 7/8 [631] |

Additional configurations and sizes available. Consult your Authorized Loewen Dealer for details.

| Panel Height | Rough Opening Height (1" Flush Track) | Rough Opening Height (1 1/2" Flush Track) | Rough Opening Height (Raised Threshold) |
|--------------|---------------------------------------|-------------------------------------------|-----------------------------------------|
| 84 [2134] | 87 15/16 [2234] | 88 7/16 [2246] | 88 7/16 [2246] |
| 96 [2438] | 99 15/16 [2538] | 100 7/16 [2551] | 100 7/16 [2551] |
| 108 [2743] | 111 15/16 [2843] | 112 7/16 [2856] | 112 7/16 [2856] |
| 120 [3048] | 123 15/16 [3148] | 124 7/16 [3161] | 124 7/16 [3161] |
| 144 [3658] | 147 15/16 [3758] | 148 7/16 [3770] | 148 7/16 [3770] |

Additional heights available. Consult your Authorized Loewen Dealer for details.

Note: • O = Fixed
• X = Operating
• P = Pocketing

• The preparation of the rough opening for large openings such as those required by, but not limited to, LiftSlide and Bifold doors have unique requirements. Structural headers that allow for deflection no greater than 1/8" along the unsupported length once the header is fully loaded are required. Special care needs to be taken when installing any unit including transoms above such large opening units.

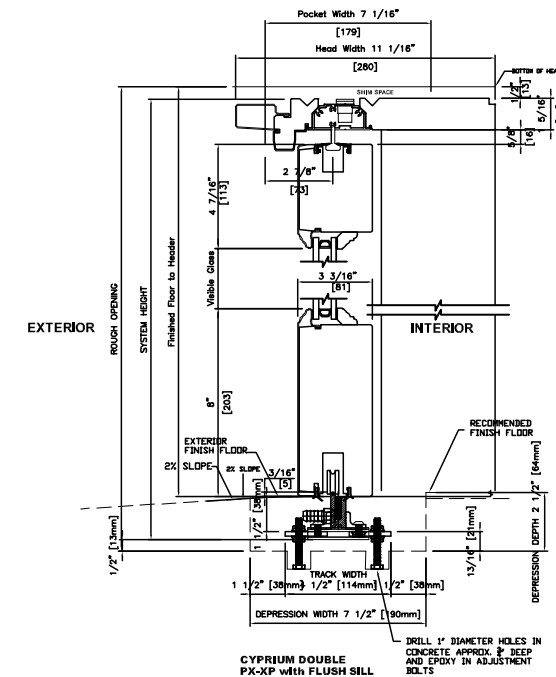
Loewen is not responsible for site measurements or the determination of structural and architectural requirements for the installation of large opening products such as but not limited to, Liftslide and Bifold doors. Site specifications are the responsibility of building professionals or engineers to determine.

Cyprimum Collection -
Doors - **LiftSlide Door**

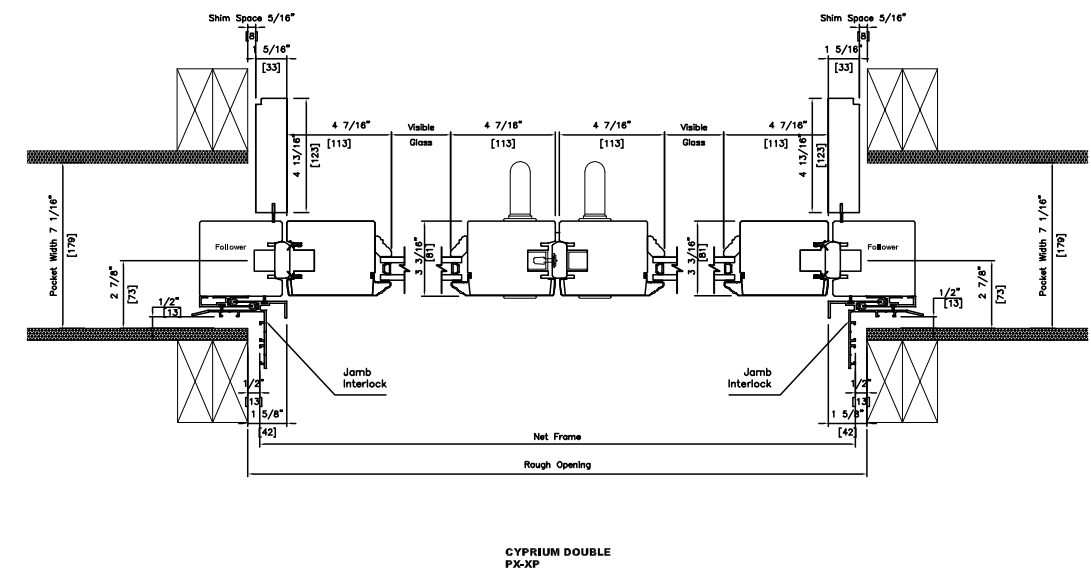
Drawings

LiftSlide Door

Head & Sill Detail



Plan View



Note: • Other jamb widths available.
• All dimensions to have +/- 1/16" (2 mm) tolerance.
• O = Fixed
• X = Operating
• P = Pocketing

• The preparation of the rough opening for large openings such as those required by, but not limited to, LiftSlide and Bifold doors have unique requirements. Structural headers that allow for deflection no greater than 1/8" along the unsupported length once the header is fully loaded are required. Special care needs to be taken when installing any unit including transoms above such large opening units.

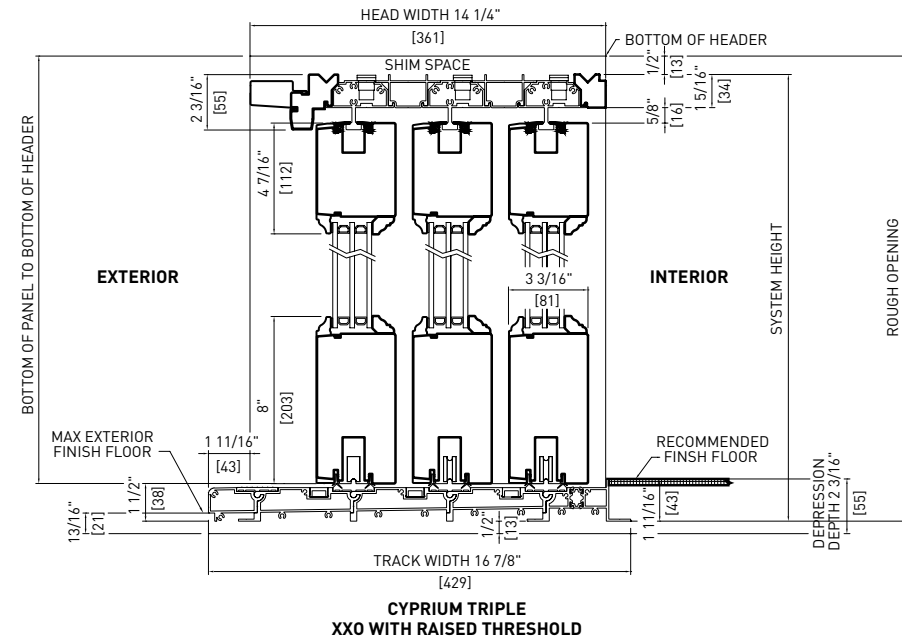
Loewen is not responsible for site measurements or the determination of structural and architectural requirements for the installation of large opening products such as but not limited to, Liftslide and Bifold doors. Site specifications are the responsibility of building professionals or engineers to determine.

Cyprium Collection -
Doors - **LiftSlide Door**

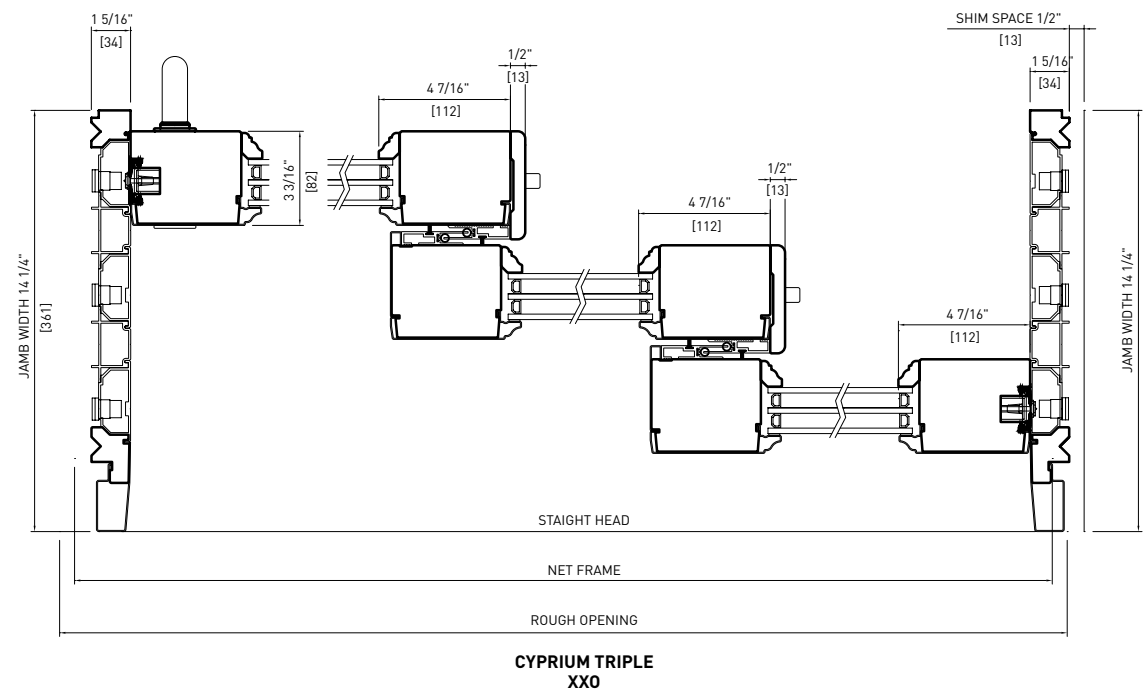
Drawings

LiftSlide Door (cont'd)

Head & Sill Detail



Plan View



- Note:
- Other jamb widths available.
 - All dimensions to have +/- 1/16" (2 mm) tolerance.
 - O = Fixed
 - X = Operating
 - P = Pocketing
- The preparation of the rough opening for large openings such as those required by, but not limited to, LiftSlide and Bifold doors have unique requirements. Structural headers that allow for deflection no greater than 1/8" along the unsupported length once the header is fully loaded are required. Special care needs to be taken when installing any unit including transoms above such large opening units.
- Loewen is not responsible for site measurements or the determination of structural and architectural requirements for the installation of large opening products such as but not limited to, LiftSlide and Bifold doors. Site specifications are the responsibility of building professionals or engineers to determine.

